



GET THE ORIGINAL



XRC GEN2 BUMPERS & TIRE CARRIER



The all new XRC bumpers have been completely redesigned with more aggressive styling and heavy duty features, giving you the ultimate protection for rock crawling. These stubby bumpers provide increased clearance and have angled corners for more aggressive approach angles in extreme conditions.

The redesigned solid D-ring and jack point mounts are welded in the inside and out and feature an integrated recovery point for easy access.

XRC GEN2 BUMPERS

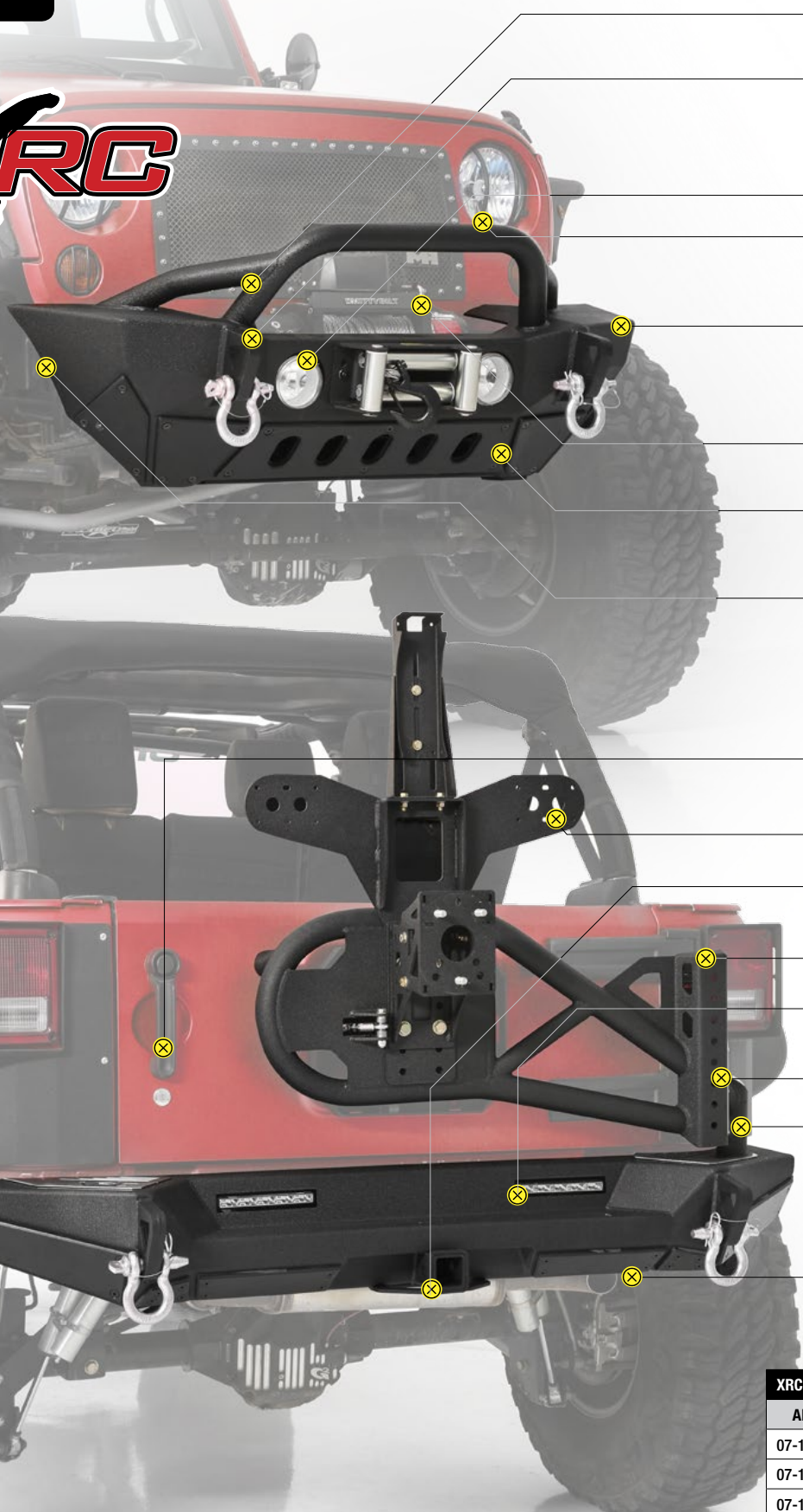
APPLICATION	DESCRIPTION	PART#
07-15 JK 2/4 Door	XRC Gen2 Front Bumper	76807
07-15 JK 2/4 Door	XRC Gen2 Rear Bumper	76858

GEN2 TIRE CARRIER

APPLICATION	DESCRIPTION	PART#
07-15 JK 2/4 Door	Gen2 Bolt-on Tire Carrier	76857



XRC GEN2 BUMPERS / TIRE CARRIER



- 1.75-inch 120 wall overrider and kickers
- Max solid D-ring and jack point mount welded on the inside and out!
- O.E. fog light ports
- Light mount tabs accommodates lights up to 9" diameter, also accommodates LED light Bars
- Manufactured from 3/16 inch cold rolled steel with two-stage textured matte black finish
- Ability to accommodate up to 12k winch
- HDPE slip strips the ultimate fender-to-fender protection for rock crawling
- Aggressive, stubby design Raised corners for better entry and exit angles in extreme conditions
- Single-handed opening operation Tuned to factory tailgate
- Roto Pax® gas/water can mount
- Class III hitch Anti-rattle provision
- CB and jack mount
- Auxilliary back up light cutouts, LED lights included
- Bottle opener
- Frame pivot point
- Bolt-on design tire carrier Fits SRC, XRC and Factory Tenth Anniversary Jeep bumpers
- HDPE slip strips the ultimate fender-to-fender protection for rock crawling

XRC GEN2 BUMPERS & TIRE CARRIER		
APPLICATION	DESCRIPTION	PART#
07-15 JK 2/4 Door	XRC Gen2 Front Bumper	76807
07-15 JK 2/4 Door	XRC Gen2 Rear Bumper	76858
07-15 JK 2/4 Door	Gen2 Bolt-on Tire Carrier	76857