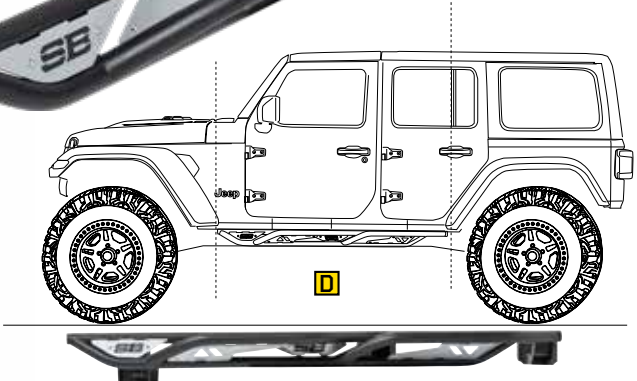
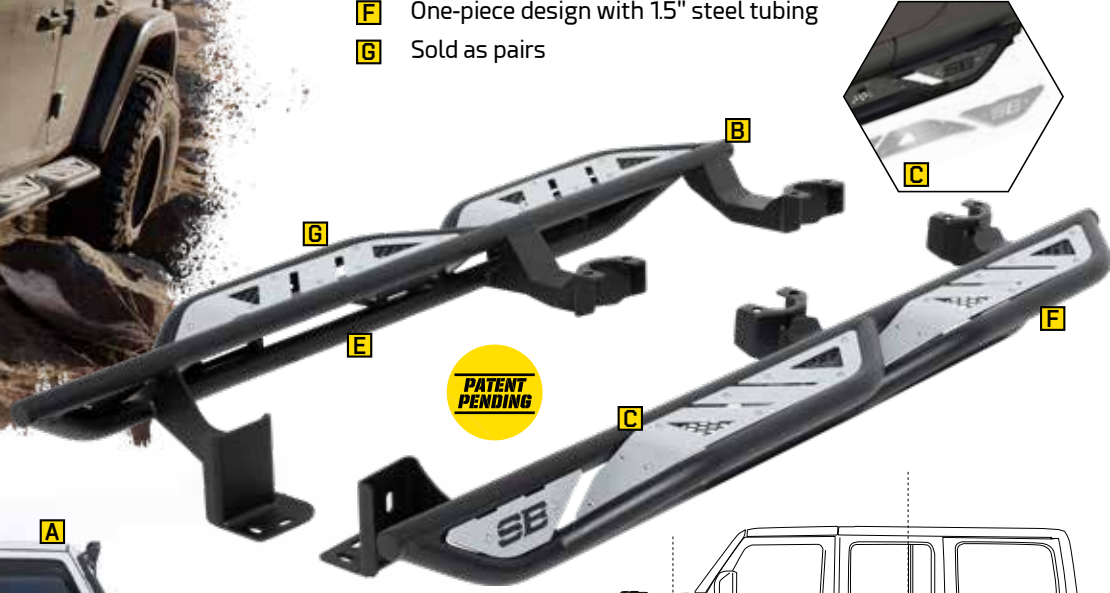




# APOLLO SLIDERS with STEP



- A** New Jeep JK and JL applications
- B** Heavy-duty steel tube side bar
- C** Removable sheet metal for customization
- D** Wheel-to-wheel coverage for maximum protection
- E** Dual girder system protects sides and under section
- F** One-piece design with 1.5" steel tubing
- G** Sold as pairs



Wheel-to-wheel coverage for maximum protection



Choose reliable running boards offered on our website.