



# Installation Instructions 1966-1977 Bronco 4WD Part # RAB40

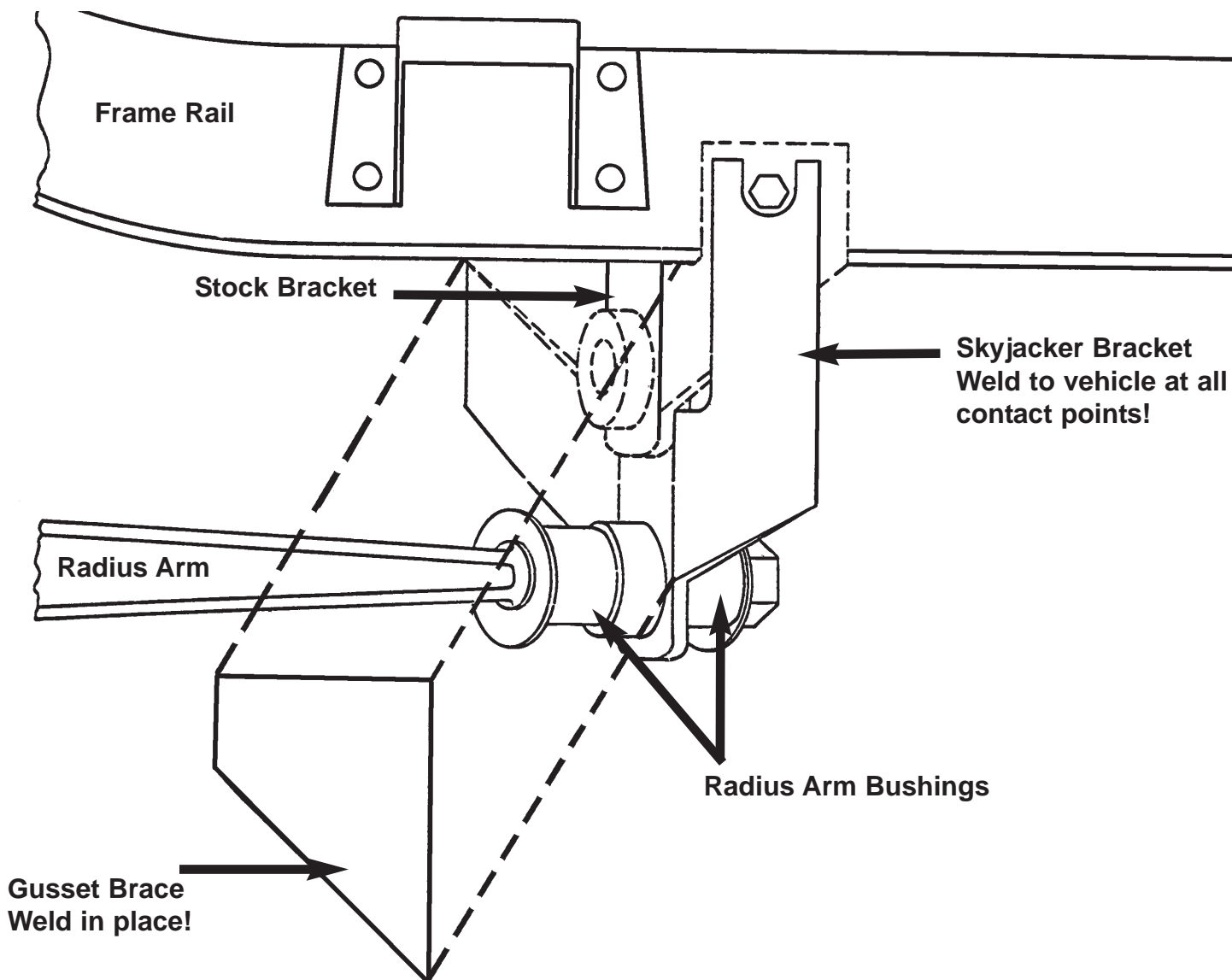
Part #	Description	Qty
RRB40	RIGHT RADIUS BRK 4"EARLY BR	1
LRB40	LEFT RADIUS BRKT 4"EARLY BR	1
LR40-B	<a href="#">GUSSET BRACE</a> FOR RAB40	2

### Installation Instruction:

1. Park the vehicle on level ground. Set the emergency brake and block the front and rear tires.
2. Remove the drivers side radius arm. Install brackets as shown in diagram. Repeat this process on opposite side. Welding should be done by a qualified welder.
3. After installation, check all components for proper installation and fitment.

**NOTE:** If radius arm bushings are worn, they should be replaced at this time. Contact your dealer for pricing.

**Seat Belts Save Lives, Please Wear Your Seat Belt**



## JESUS CHRIST DIED FOR YOU

### **John 3:16**

For God so loved the world that He gave His only Son, so that everyone who believes in Him should not perish, but have everlasting life.

### **Romans 3:23**

For all have sinned; all fall short of God's glorious standard.

### **Psalms 18:2**

The Lord is my Rock, my fortress, and my savior; my God is my Rock, in whom I find protection. He is my shield, the strength of my salvation, and my stronghold.

### **STEPS TO ACCEPTING JESUS CHRIST AS YOUR PERSONAL SAVIOUR**

God, I come to You admitting I have sinned against You and I need you to take control of my life. The Bible says anyone who calls on the name of the Lord will be saved. I am calling on You, Jesus. I ask that You come live in my heart and be the Lord over my life today. I do believe You died on the cross for me and came back to life to give me life!

Romans 10:9-10 says that if I confess with my mouth that Jesus is Lord and believe in my heart that God raised Him from the dead, I will be saved. Because it is by believing in your heart that you are made right with God, and it is by confessing with your mouth that you are saved.

Thank You, Lord Jesus for a new life in You!  
Now, go and tell somebody about your  
new life in Jesus.

