



1961-1982 Toyota Landcruiser
Single Steering Stabilizer Part
7160 / 9160

REQUIRED TOOL LIST:

- Safety Glasses
- Metric / Standard Wrenches & Sockets
- Measuring Tape
- Torque Wrench

Component Box Breakdown:

Part #: 7160 / 9160

Item #	Description	Qty	Item #	Description	Qty
7900WS	WHITE STEERING DAMPER (Included With 7160)	1	BTIE-K	BLACK BOOT TIE (Included With 9160)	1
9900WS	SILVER STEERING DAMPER (Included With 9160)	1	HSS	HYDRO SHOCK DECAL (Included With 7160)	1
B10RS	RED BOOT (Included With 7160)	1	SSD	SILVER STABILIZER DECAL (Included With 9160)	1
B10KS	BLACK BOOT (Included With 9160)	1	HB-7160	HARDWARE BAG: 7160 / 9160	1
BTIE	RED BOOT TIE (Included With 7160)	1	I-7160	INST SHEET: 7160 / 9160	1

Hardware Bag Breakdown:

Part # HB-7160

Item #	Description	Qty	Item #	Description	Qty
83161	TIE ROD BRACKET	1	38SAEW	3/8 SAE WASHER	4
38X312X412U	3/8 X 3 1/2 X 4 1/2 U-BOLT RD	2	516SAEW	5/16 SAE WASHER	4
516X114X134U	5/16 X 1 1/4 X 1 3/4 U-BOLT RD	2	STEM BUSH-SST	STEM BUSHING	4
38CTN	3/8 COARSE THREAD LOCK NUT	4	142120	STAB WASH PKG	2
516CTN	5/16 COARSE THREAD LOCK NUT	4	83167	MAIN BRACKET	1

Important Note:

Skyjacker steering stabilizer Part # 7160 is designed to fit several makes of vehicles covering several years. Configuration of the front end of your vehicle will determine where you mount the steering stabilizer. Differential cases are located either on the left or right side depending on the vehicle. This steering stabilizer can be installed on either side.

Installation:

1. Park the vehicle on a level concrete or asphalt surface with the front tires / wheels pointing straight forward.
2. Set the emergency brake & block the rear tires / wheels.
3. Install the new Skyjacker bracket "A" onto the axle housing tube using the supplied u-bolts, washers, & nuts. (See Photo # 1) **Note:** Do not tighten at this time.
4. Install the body end of the new Skyjacker steering stabilizer onto the new bracket "A" using the supplied bushings & washers. (See Photo # 2)
5. Install the shaft end of the new Skyjacker steering stabilizer to bracket "B" using the supplied bushings & washers. (See Photo # 2)
6. Extend the new Skyjacker steering stabilizer shaft out 4" (exactly half way) & mount onto the OEM tie rod using the supplied u-bolts, washers, & nuts. Rotate the new brackets "A" & "B" as needed to obtain the best position & tighten all hardware.

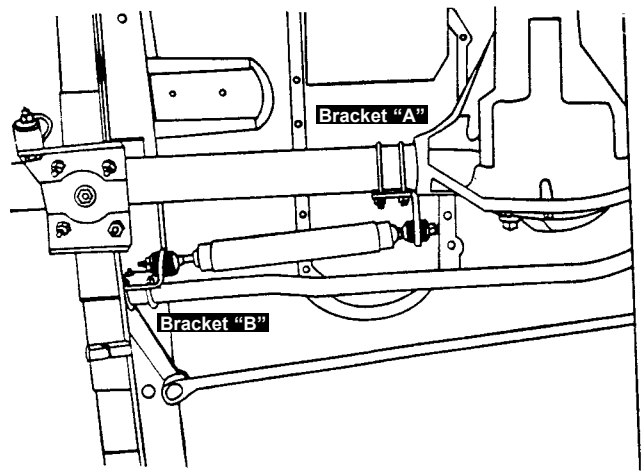
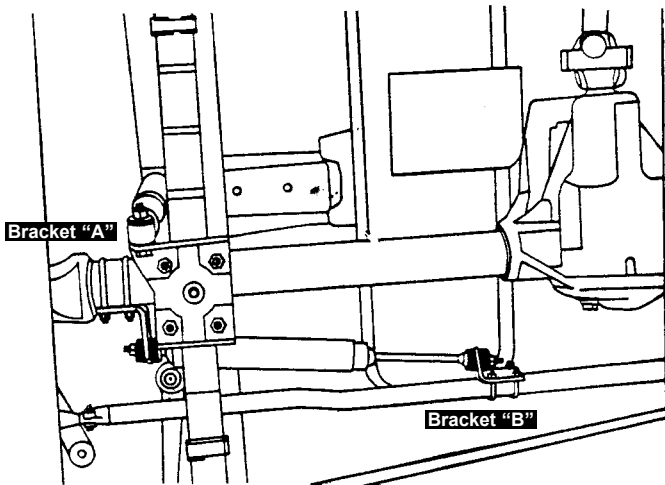
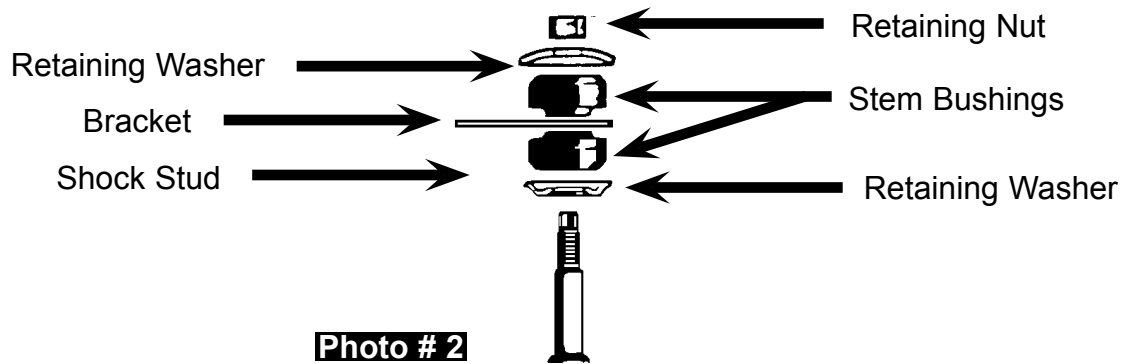


Photo # 1



Final Notes:

- After the installation is complete, double check that all nuts & bolts are tight. Refer to the following chart for the proper torque specifications. (Do not retighten the nuts & bolts where thread lock compound was used.)
- Cycle the steering of the vehicle left to right & check all parts for adequate clearance.
- After the first 100 miles, check all of the hardware for the proper torque & periodically thereafter.

<u>TORQUE SPECIFICATIONS</u>					
<u>INCH SYSTEM</u>			<u>METRIC SYSTEM</u>		
Bolt Size	Grade 5	Grade 8	Bolt Size	Class 8.8	Class 10.9
5/16	15 FT LB	20 FT LB	6MM	5 FT LB	9 FT LB
3/8	30 FT LB	35 FT LB	8MM	18 FT LB	23 FT LB
7/16	45 FT LB	60 FT LB	10MM	32 FT LB	45 FT LB
1/2	65 FT LB	90 FT LB	12MM	55 FT LB	75 FT LB
9/16	95 FT LB	130 FT LB	14MM	85 FT LB	120 FT LB
5/8	135 FT LB	175 FT LB	16MM	130 FT LB	165 FT LB
3/4	185 FT LB	280 FT LB	18MM	170 FT LB	240 FT LB

- The above specifications are not to be used when the bolt is being installed with a bushing.

Seat Belts Save Lives, Please Wear Your Seat Belt.