



2011 Chevy / GM 2500HD 4WD  
Dual Steering Stabilizer  
Installation Instructions  
Part # 7211

REQUIRED TOOL LIST:

- Safety Glasses
- Metric / Standard Wrenches & Sockets
- Floor Jack
- Jack Stands
- Measuring Tape
- Torque Wrench
- Torsion Bar Tool

**NOTE:** This steering stabilizer kit is designed for the 2011 GM 2500HD 4WD with a minimum of 4" of lift. **Do not** attempt to install this steering stabilizer kit on a vehicle with less than 4" of lift.

Kit Box Breakdown:

**Part #: 7211**

<u>ITEM#</u>	<u>DESCRIPTION</u>	<u>QTY</u>
7202WS	WHITE STEERING DAMPER	2
HB-7211	HDWR BAG: 7211	1
HSS	HYDRO SHOCK DECAL	2
I-7211	INST SHEET: 7211	1

**Hardware Bag Breakdown:**

**HB-7211                      HARDWARE BAG**

<u>ITEM#</u>	<u>DESCRIPTION</u>	<u>QTY</u>
7211DS-1	DRIVER BRKT FOR 7211 STAB	1
7211MB-1	MAIN BRKT FOR 7211 STAB	1
7211PS-1	PASS BRKT FOR 7211 STAB	1
HOURGLASS 5/8	HOURGLASS 5/8 SHOCK BUSHING	4
140629	EB6 STUD BAG - P932/140629	4
18MMFW	5/8"-A325 FLAT WASHER,PLAIN	2
516X138X2316U	5/16X1 3/8X 2 3/16 U-BLT RD	2
516CTN	5/16-18 COARSE N/I LOCK NUT	4
516SAEW	5/16 SAE WASHER	4

## Installation:

1. Park the vehicle on a level concrete or asphalt surface with the front tires / wheels pointing straight forward.
2. Set the emergency brake & block the rear tires / wheels.
3. If equipped, remove the OEM steering stabilizer from the OEM mount on the frame & OEM center link.
4. Place a floor jack under the lower control arm's front cross member & raise the vehicle. Place jack stands under the frame rails, behind the front wheel wells & lower the frame of the vehicle onto the jack stands.



Photo # 1



Photo # 2



Photo # 3



Photo # 4

**WARNING:** Be extremely careful when loading or unloading the torsion bars; there is a tremendous amount of stored energy (load pressure) in the torsion bars. Keep your hands & body clear of the adjuster arm assembly & puller tool in case anything slips or breaks.

**NOTE:** A special PULLER TOOL (Kent - Moore Part # CH-48809 is required for the SAFE REMOVAL / INSTALLATION of the torsion bars. This special puller can be purchased from a GM dealer or auto parts store.

5. Locate the torsion bar adjuster bolt on the bottom of the torsion bar cross member, measure & record the length of the torsion bar adjusting bolt that is exposed. Apply a small amount of lubricating grease to the puller threads & the puller shaft-to-adjuster arm contact point. Position the puller & load the adjuster arm until the adjuster nut can be removed from the torsion bar cross member using a 21mm socket. (See Photo # 1) Repeat this process on the opposite side.
6. Install the four new Skyjacker studs to the driver side, center, & passenger side brackets using a 3/4" socket & adjustable pliers. (See Photo # 2, 4, & 5)
7. Remove the upper front cross member bolt on the passenger side of the vehicle. Install the supplied 18mm washer between the OEM cross member & the new Skyjacker passenger side bracket. Install the upper front cross member bolt (**With the hex head of the bolt to the new bracket**) thru the new bracket, 18mm washer, & OEM cross member using a 1 1/16" socket. (See Photo # 2)
8. Bend the OEM stabilizer mounting bracket tabs upward using a hammer & punch. (See Photo # 3)
9. Remove the upper front cross member bolt on the driver side of the vehicle. Install the supplied 18mm washer between the OEM cross member & the new Skyjacker driver side bracket. Install the upper front cross member bolt (**With the hex head of the bolt to the new bracket**) thru the new bracket, 18mm washer, & OEM cross member using a 1 1/16" socket. (See Photo # 4)

10. Measure from the base of the inner tie rod  $12 \frac{9}{32}$ " & mount the new Skyjacker center bracket parallel with the angle of the OEM center link steering stabilizer mounting hole using the  $\frac{5}{16}$ " x  $1 \frac{3}{8}$ " x  $2 \frac{3}{16}$ " u-bolts, washers, nuts, &  $\frac{1}{2}$ " socket. (See Photo # 5 & 6)

11. Install the  $\frac{5}{8}$ " hourglass bushings into each end of the new Skyjacker steering stabilizers & mount with the shaft end of the new steering stabilizers towards the inside using the washers, nuts, &  $\frac{3}{4}$ " socket. (See Photo # 7)

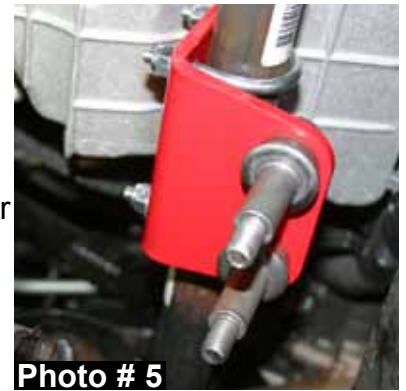


Photo # 5

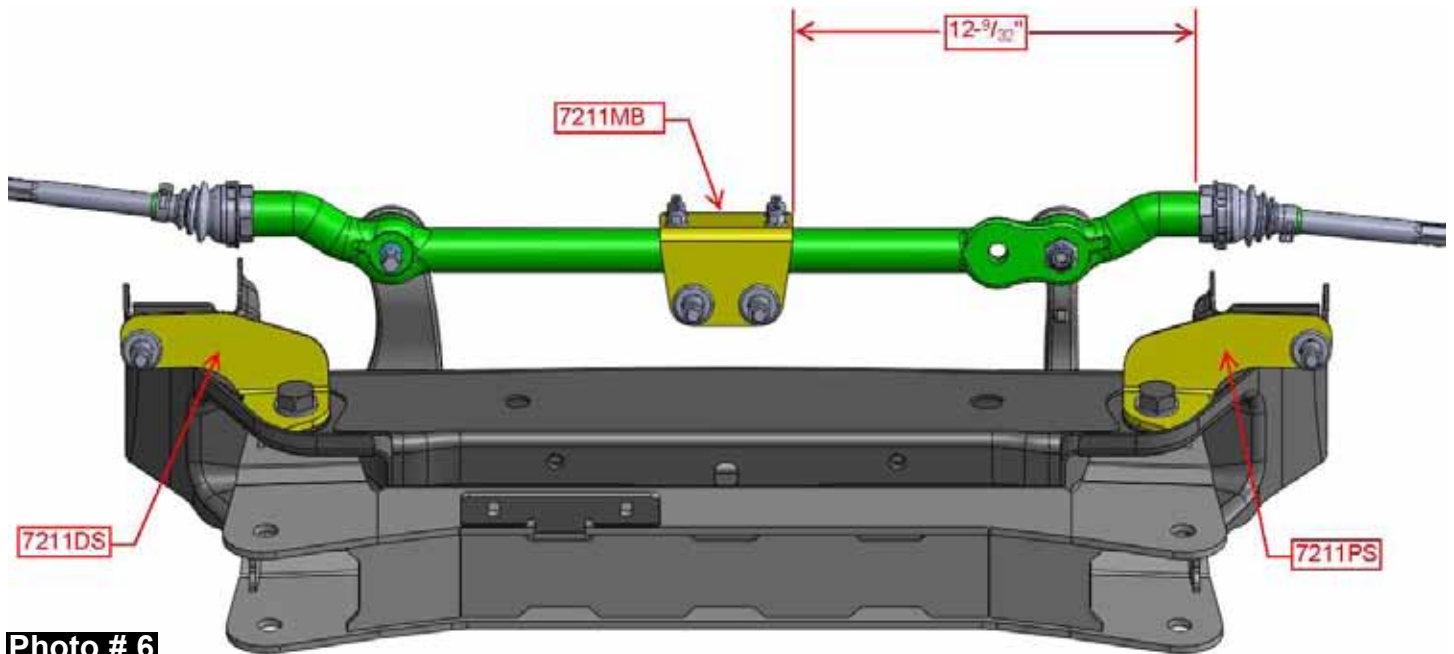


Photo # 6

12. Position the torsion bar puller & load the adjuster arm until the adjuster nut can be installed to the torsion bar cross member using a 21mm socket. (See Photo # 1) Repeat this process on the opposite side. **Note:** Be sure to install the adjuster bolts to the same length as the OEM when removed in Step # 5.

13. Using a floor jack, remove the jack stands from under the frame rails & lower the vehicle to the ground.

#### **Final Notes:**

- Cycle the steering of the vehicle left to right & check all parts for adequate clearance.
- After the first 100 miles, check all of the hardware for the proper torque.



Photo # 7

**Seat Belts Save Lives, Please Wear Your Seat Belt.**