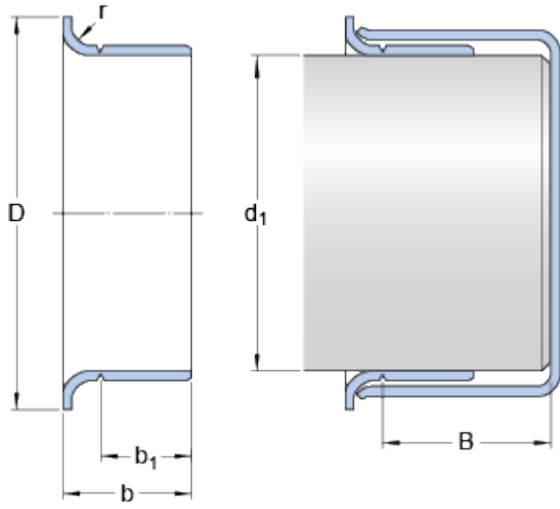


99853

Design

SKF Speedi-Sleeve
Gold

Dimensions



Shaft diameter range

d_1 min. 95.25 mm

d_1 max. 95.428 mm

Nominal dimensions

d_1 95.25 mm

D 102.108 mm

± 1.6 mm

b 22.225 mm

± 0.8 mm

b_1 17.475 mm

± 0.8 mm

B max. 45.72 mm

r max. 3.18 mm