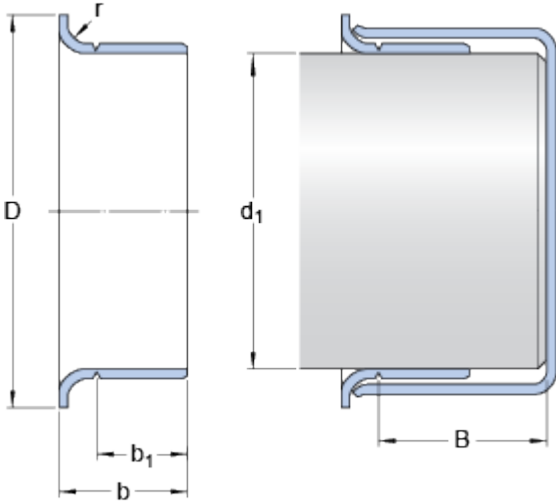


99599

Dimensions



Shaft diameter range

d_1 min. 152.273 mm

d_1 max. 152.527 mm

Nominal dimensions

d_1 152.4 mm

D 161.925 mm

± 1.6 mm

b 31.75 mm

± 0.8 mm

b_1 25.4 mm

± 0.8 mm

B max. 44.45 mm

r max. 3.18 mm