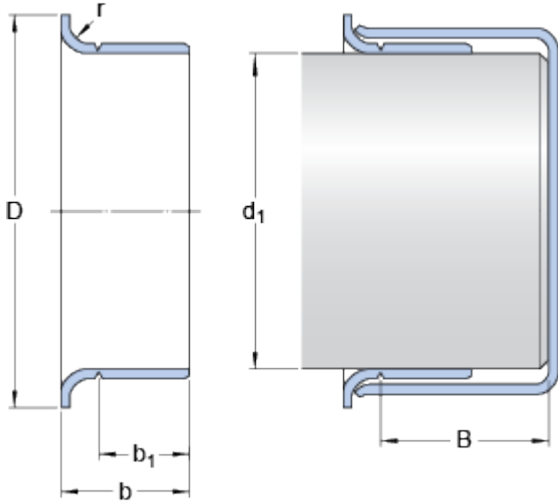


99595

Dimensions



Shaft diameter range

d_1 min. 149.758 mm

d_1 max. 149.987 mm

Nominal dimensions

d_1 150 mm

D 159.004 mm

\pm 1.6 mm

b 29.997 mm

\pm 0.8 mm

b_1 26.01 mm

\pm 0.8 mm

B max. 32.512 mm

r max. 3.18 mm