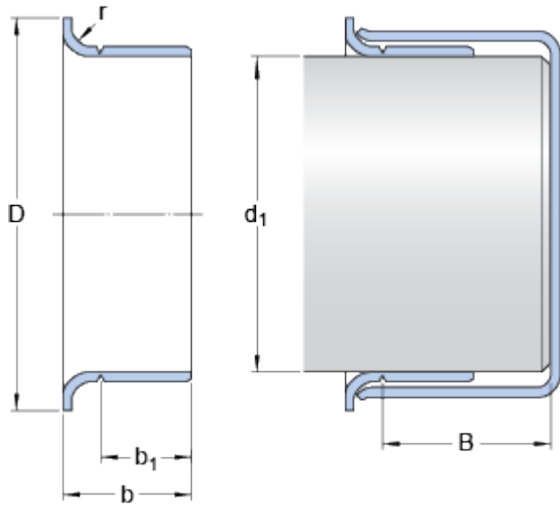


99472

Dimensions



Shaft diameter range

d_1 min. 121.895 mm

d_1 max. 122.098 mm

Nominal dimensions

d_1 122 mm

D 131.496 mm

± 1.6 mm

b 24.003 mm

± 0.8 mm

b_1 19.99 mm

± 0.8 mm

B max. 32.004 mm

r max. 3.18 mm