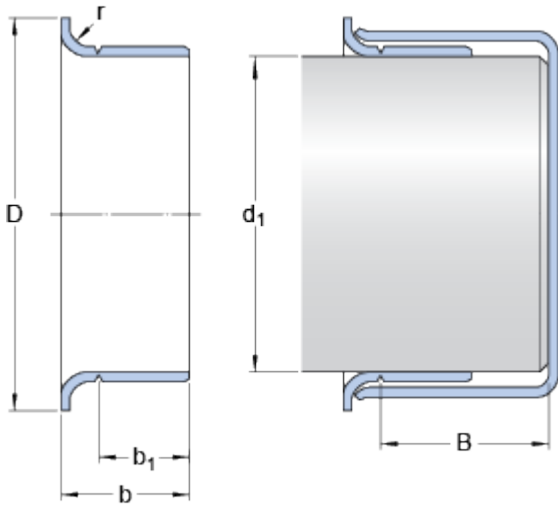


# 99315

## Dimensions



### Shaft diameter range

$d_1$  min. 79.908 mm

$d_1$  max. 80.086 mm

### Nominal dimensions

$d_1$  80 mm

$D$  89.992 mm

$\pm$  1.6 mm

$b$  24.003 mm

$\pm$  0.8 mm

$b_1$  21.006 mm

$\pm$  0.8 mm

$B$  max. 34.925 mm

$r$  max. 3.18 mm