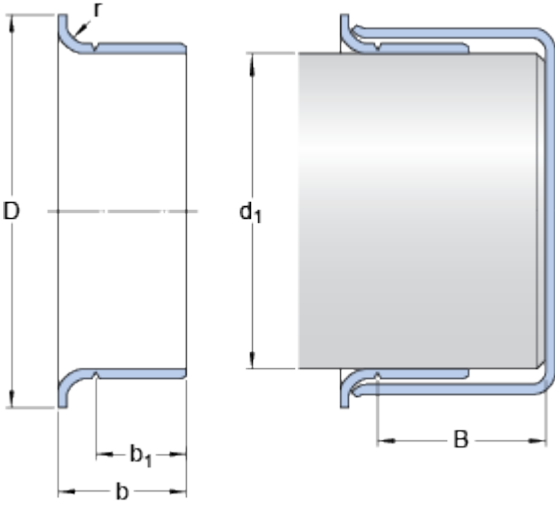


# 99238

## Dimensions



### Shaft diameter range

$d_1$  min. 60.249 mm

$d_1$  max. 60.401 mm

### Nominal dimensions

$d_1$  60.325 mm

$D$  69.85 mm

$\pm$  1.6 mm

$b$  19.05 mm

$\pm$  0.8 mm

$b_1$  15.088 mm

$\pm$  0.8 mm

$B$  max. 34.925 mm

$r$  max. 3.18 mm