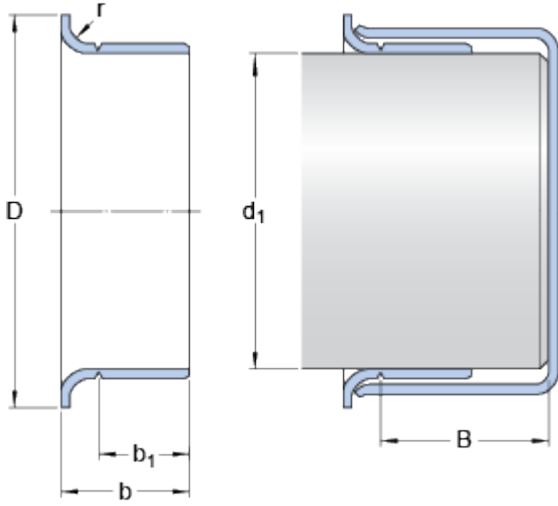


# 99165

## Dimensions



### Shaft diameter range

$d_1$	min.	41.986	mm
$d_1$	max.	42.139	mm

### Nominal dimensions

$d_1$		42.062	mm
D		53.01	mm
	±	1.6	mm
b		17.501	mm
	±	0.8	mm
$b_1$		13.97	mm
	±	0.8	mm
B	max.	21.006	mm
r	max.	3.18	mm