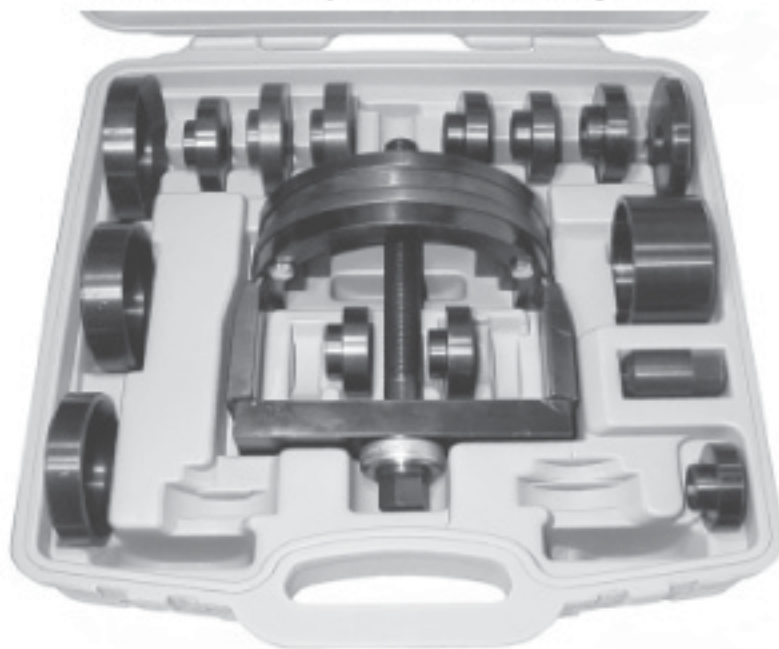


WHEEL BEARING AND HUB R&R KIT



Master Kit comes complete with a form fit storage case!!



REAR WHEEL DRIVE: (APPLICATION GUIDE)

PART NO. VEHICLE MAKE

B 90 MASTER KIT (COMPLETE)

Most every make and model with a singular Solid Roller Wheel Bearing (S.R.W.B.) and Independent Rear Suspension (I.R.S.).

B 90-RWE REAR WHEEL EUROPEAN KIT

Applicable to BMW, Mercedes and Porsche, as described below.

B 90-BMW BMW

Most every 3, 5, 6, 7 & 8 series models from the early '80's to present with S.R.W.B. and I.R.S., including A.W.D.

B 90-M MERCEDES BENZ KIT

All W 124, W 129, W 201 & W 202 chassis models with S.R.W.B. and I.R.S.

NOTE: The only kit on the market to extract the Hub w/o a slide hammer. Detailed instructions of the procedure is included.

B 90-P PORSCHE KIT

Special kit designed for 911, 912, 914, 924, 928, 944, 968 and Boxster models with S.R.W.B. and I.R.S. Excluding the Hubs of 914's. 356 models, see tool# 242-A, page# 9.

- or -

Sub-Kit = Porsche model

B 90-P1 = 911, '73-; 912; 914; C4 (front wheel bearing only) '89+.

B 90-P2 = 911 (non-Turbo) '74+; 924 & 944, '85+; 968; Boxster.

B 90-P3 = 911 (Turbo) '90+; 928.

NOTE: To extract the Hub w/o using a slide hammer on Porsche models (excluding 356 or 914) part#'s B 90-3 along with B 90-3J are needed. Detailed instructions of the procedure is included.

FRONT WHEEL DRIVE: (APPLICATION GUIDE)

PART NO. VEHICLE MAKE

B 90 MASTER KIT (COMPLETE)

Most every make and model with a singular Solid Roller Wheel Bearing (S.R.W.B.) and Independent Front Suspension (I.F.S.).

B 90-ASI ASIAN KIT

Specific kit designed for all applicable Asian models with S.R.W.B. and I.F.S.

- or -

Sub-Kit = Asian Vehicle Make

B 90-TL = TOYOTA / LEXUS (includes, '89-'85 Nova)

B 90-HA = HONDA / ACURA (excludes, Trapped-Bearing types)

B 90-NI = NISSAN / INFINITI

B 90-MZ = MAZDA

B 90-KOR = HYUNDAI & KIA

B 90-US DOMESTIC KIT

Specific kit designed for all applicable domestic models with S.R.W.B. and I.F.S.

- or -

Sub-Kit = Domestic Make

B 90-CH = CHRYSLER CORP. (most '90- models & '95+ Neon)

B 90-FD = FORD MOTOR CO.

B 90-SA = SATURN

B 90-VA VW (liquid-cooled) & AUDI KIT

Models from the early '70's to present with S.R.W.B. and I.F.S., including A.W.D.

B 90-VW VW (liquid-cooled) KIT

Models from the early '70's to present with S.R.W.B. and I.F.S.