

SINISTER
DIESEL



What do you get when a group of diesel, truck and 4x4 off-road enthusiasts get together with a dream of changing the automotive aftermarket industry? You get Sinister Diesel. Founders Brian George, Michael Mitchell and their whole team share a love of everything diesel. One afternoon, while working on Brian's truck, they thought of starting a new company.

"There were already online parts suppliers," says Brian, "so we knew it wasn't enough to just start another one. We wanted to create a high performance diesel parts company that actually changed the way business was done, especially when it came to customer service."

Live telephone support is one element of that customer service. Before, during and even after a purchase, people can call Sinister and get live expert technical advice about brands, parts, installation and everything else. There's even the same live support available on the Sinister website.

"Right from the beginning we got a reputation for great customer service," says Brian. "That's how we knew we were on the right track." Today, Sinister is one of the fastest growing online aftermarket diesel parts retailers in the world. Sinister Diesel partners with top names in the industry, so customers find the widest selection of quality parts in one place.

"But as good as those brands are," says Michael, "we decided to manufacture our own line as well. We had our own vision about how a part should perform, and what it should look like, so the Sinister Diesel brand was born." Most of these Sinister Diesel parts are a distinctive metallic blue. "We call the color Sinister Blue. You'll even find it in our logo."

Why the name Sinister? It appeals to Brian and Mike because they feel it captures the spirit of the diesel lifestyle. "The spirit of diesel truckers is like our own," Brian says. "A little bit rebel. Of course, we don't all live a rebel lifestyle, but we all share that spirit. The name Sinister captures that spirit perfectly."



FILTRATION SYSTEMS



2003-10 Ford 6.0 Van E250-350 - Coolant Filter Kit



2003-07 Dodge 5.9 Cummins 2500-3500 - Coolant Filter Kit
(Also available for 2007.5-12 6.7 Cummins)

2003-07 Ford 6.0 Powerstroke F250-450/Excursion - Coolant Filter Kit



2008-10 Ford 6.4 Powerstroke F250-450 - Coolant Filter Kit



1999.5-03 Ford 7.3 Powerstroke F250-450/Excursion - Coolant Filter Kit



2006-07 Dodge 5.9 Cummins 2500-3500 - Oil Filter Kit



2003-07 Ford 6.0 Powerstroke F250-450/Excursion - Oil Filter Kit



New After 5,000 miles



2008-10 Ford 6.4 Powerstroke F250-450 - Oil Filter Kit

FILTRATION SYSTEMS

Keep your engine and components running clean mile after mile with these oil and coolant filter kits. Every Sinister Oil Kit meets or exceeds factory filtration specifications. Plus, installing a Coolant Filter Kit gives your entire cooling system an added level of protection. Our kits contain everything you need for simple installation and maintenance, making it easy to help your truck run better and last longer.

UP PIPES

The problem with factory Up Pipes is their tendency to crack and leak. You won't have that problem with Sinister Up Pipes. Ours won't heat fatigue and crack because we've replaced the bellows with a much stronger, longer lasting "double slip" flex joint. What's more, our Up Pipes eliminate the slip joint in the cast merge piece which is a common location for factory Up Pipes to leak. Sinister Up Pipes are constructed of stainless steel for corrosion resistance. They're also mandrel bent for maximum exhaust flow. Because they are fully TIG welded and back-purged, our Up Pipes hold up to the toughest conditions and are backed by a Lifetime Warranty.



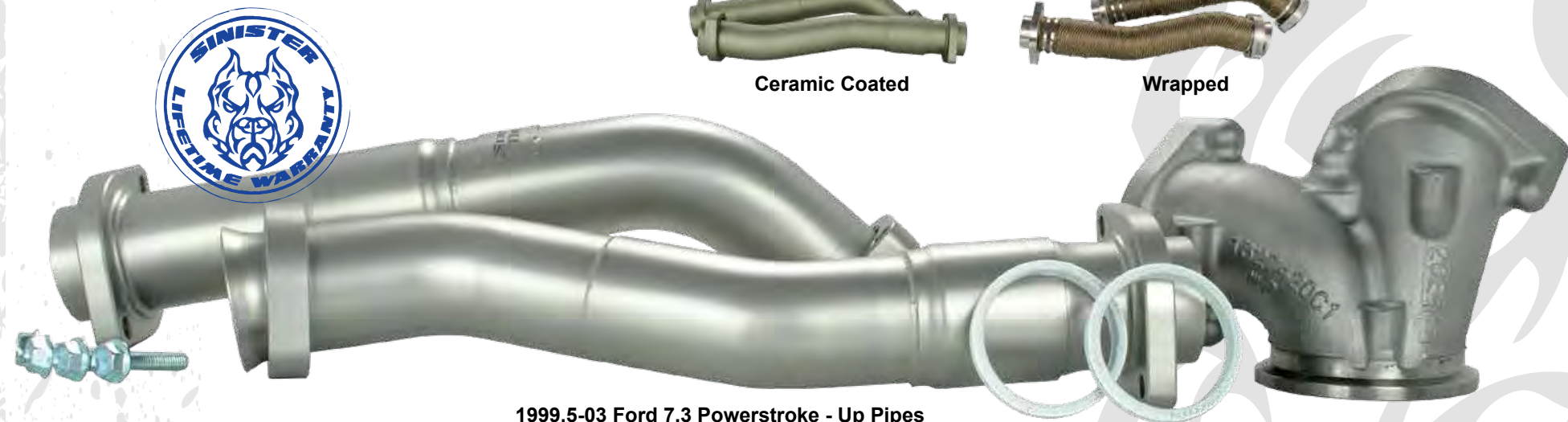
2003-07 Ford 6.0 Powerstroke - Up Pipe*



Ceramic Coated



Wrapped



1999.5-03 Ford 7.3 Powerstroke - Up Pipes

2001-10 Chevy/GMC 6.6 Duramax - Up Pipes*
(Also sold separately and available in ceramic coated finish)



***WARNING REGARDING EMISSIONS LAWS**
Not legal for sale or use on pollution-controlled motor vehicles anywhere in the United States. Legal ONLY for off-road competition racing vehicles and cannot be used on vehicles that are operated on public streets, roads or highways. This product is not for sale or use in the state of California.

Independent dyno tests show Sinister Y-Pipes can add 65hp and 148 lbs-ft of torque over stock at 2300rpm. When installed on a truck with a performance tune, those numbers jump to 121hp and 289 lbs-ft of torque. All of our Y-Pipe kits are built with solid stainless steel CNC flanges and stainless steel tubing. They are fully TIG welded on a fixture, as well as back-purged for the highest quality, strongest welds possible, and all feature a Lifetime Warranty.

CARB EO Pending



Both kits available in raw, ceramic coated, and wrapped finishes.



2004-07 Ford 6.0 Powerstroke - Y-Pipe
(Retains EGR Cooler)



2003-07 Ford 6.0 Powerstroke - Y-Pipe*



Ceramic Coated



Wrapped

Y-PIPES



***WARNING REGARDING EMISSIONS LAWS**
Not legal for sale or use on pollution-controlled motor vehicles anywhere in the United States. Legal ONLY for off-road competition racing vehicles and cannot be used on vehicles that are operated on public streets, roads or highways. This product is not for sale or use in the state of California.

HEADERS

Looking for durable horsepower-building exhaust components? Install these high-flow tubular Headers. In independent dyno tests, our Headers added 27hp and 56 lbs-ft of torque on a stock tune, and 37hp and 99 lbs-ft of torque on an engine with a performance tune. These headers are made from stainless steel with CNC stainless steel flanges and precision TIG welds. Plus, Sinister Headers produce power in the low RPM power band, making them perfect for towing.

CARB EO Pending



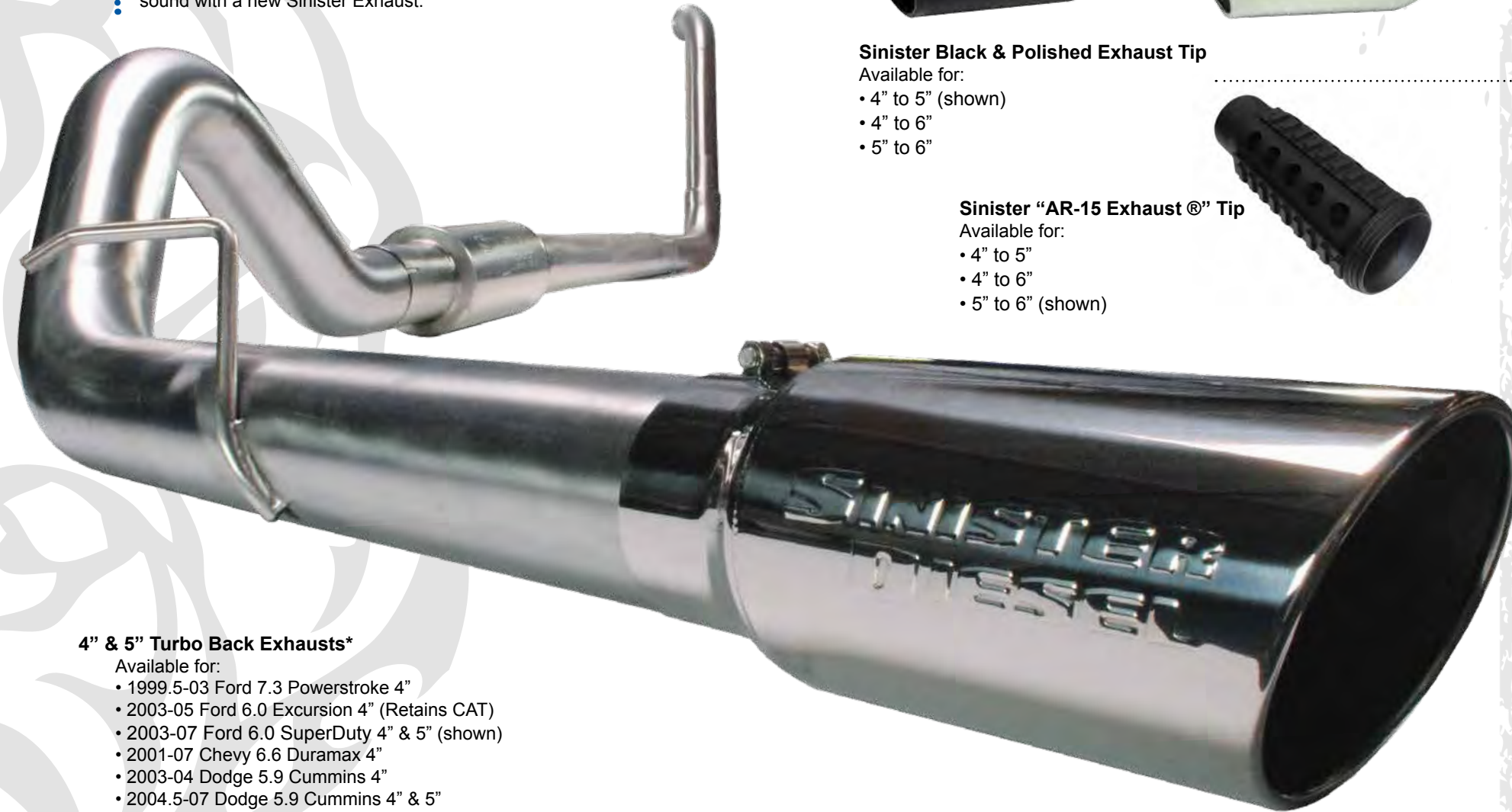
2003-07 Ford 6.0 Powerstroke - Headers



Ceramic Coated



Wrapped



4" & 5" Turbo Back Exhausts*

Available for:

- 1999.5-03 Ford 7.3 Powerstroke 4"
- 2003-05 Ford 6.0 Excursion 4" (Retains CAT)
- 2003-07 Ford 6.0 SuperDuty 4" & 5" (shown)
- 2001-07 Chevy 6.6 Duramax 4"
- 2003-04 Dodge 5.9 Cummins 4"
- 2004.5-07 Dodge 5.9 Cummins 4" & 5"

Sinister Exhausts are made from corrosion-resistant 409 stainless steel with high chromium and nickel content providing extreme durability. You'll appreciate that toughness if you live in climates where roads are salted in winter. We also include a muffler, a muffler delete pipe, and a polished 304 stainless steel tip. Wherever you live, you'll get better horsepower, cooler EGTs, and an aggressive, throaty sound with a new Sinister Exhaust.

EXHAUST & ACCESSORIES



Sinister Black & Polished Exhaust Tip

Available for:

- 4" to 5" (shown)
- 4" to 6"
- 5" to 6"



Sinister "AR-15 Exhaust" Tip

Available for:

- 4" to 5"
- 4" to 6"
- 5" to 6" (shown)



***WARNING REGARDING EMISSIONS LAWS**

Not legal for sale or use on pollution-controlled motor vehicles anywhere in the United States. Legal ONLY for off-road competition racing vehicles and cannot be used on vehicles that are operated on public streets, roads or highways. This product is not for sale or use in the state of California.

INTAKE ELBOWS

Sinister Diesel Intake Elbows are designed and engineered to outperform the competition. Our elbows are mandrel bent aluminum with a CNC base plate built to hold even the highest boost levels. Polished and powder coated in Sinister blue, these elbows look as good as they perform.



2003-07 Ford 6.0 Powerstroke - Intake Elbow*



2008-10 Ford 6.4 Powerstroke - Intake Elbow*



2004.5-05 Chevy/GMC 6.6 Duramax LLY - Intake Tube*



2006-10 Chevy/GMC Duramax 6.6 LBZ/LMM - Intake Tube*



2011-15 Chevy/GMC 6.6 Duramax - Intake Bridge



1998.5-02 Dodge 5.9 Cummins - Intake Elbow



2003-07 Dodge 5.9 Cummins - Intake Elbow



2007.5-12 Dodge 6.7 Cummins - Throttle Valve Delete*



***WARNING REGARDING EMISSIONS LAWS**
 Not legal for sale or use on pollution-controlled motor vehicles anywhere in the United States. Legal ONLY for off-road competition racing vehicles and cannot be used on vehicles that are operated on public streets, roads or highways. This product is not for sale or use in the state of California.



CHARGE PIPES

Aluminum construction for lifetime rust-free performance and heat dissipation; mandrel bent, powder coated aluminum tubing for minimal turbulence and maximum flow; heavy duty five-ply silicone boots to handle increased boost pressures; stainless steel spring clamps to resist corrosion and increase clamping strength; you get all this and more when you add Sinister Diesel Charge Pipes to your rig.

Factory Boot



Side By Side
Stock Boot vs Sinister Boot



CHARGE PIPES



2003-07 Ford 6.0 Powerstroke - Hot & Cold Side Charge Pipes
(Hot & Cold Pipes Also Sold Separately)



2003-07 Ford 6.0 Powerstroke - Boot Kit
(Also available for 1999.5-03 Ford 7.3 Powerstroke)



2008-10 Ford 6.4 Powerstroke - Cold Side Charge Pipe



2007.5-09 Dodge 6.7 Cummins - Hot & Cold Side Charge Pipes
(Also available for 2010-12. Boots available separately)



2003-07 Dodge 5.9 Cummins - Hot & Cold Side Charge Pipes



2003-07 Dodge 5.9 Cummins - Boot Kit



Get a Sinister Diesel Edition Powermax Turbo for your Ford Powerstroke Super Duty or Excursion. Our turbos include a larger compressor wheel than stock turbos, so you can increase your maximum power range and get up to an additional 175 horsepower. They also feature the Garrett patented AVNT (Advanced Variable Nozzle Turbine) design. This unique design allows for increased compressor flow and boost response. Plus, our Stage 2 Turbo features a high-performance "BatMoWheel" compressor wheel by Bullseye Performance.



2003-07 Ford 6.0 Powerstroke - Powermax Turbo*
(Shown with Optional BatMoWheel)



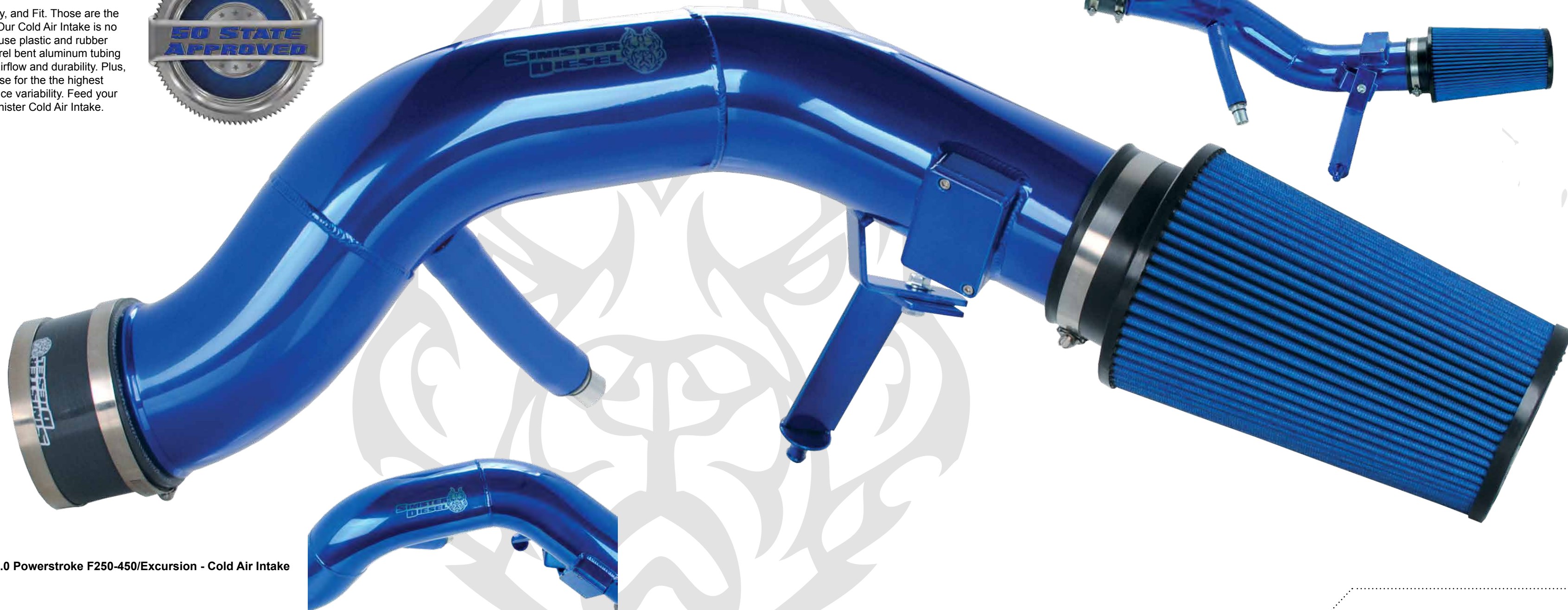
***WARNING REGARDING EMISSIONS LAWS**
Not legal for sale or use on pollution-controlled motor vehicles anywhere in the United States. Legal ONLY for off-road competition racing vehicles and cannot be used on vehicles that are operated on public streets, roads or highways. This product is not for sale or use in the state of California.

AIR INTAKE

Strength, Performance, Durability, and Fit. Those are the hallmarks of all Sinister parts. Our Cold Air Intake is no exception. While other brands use plastic and rubber parts, our intakes are made of mandrel bent aluminum tubing and silicone couplers for maximum airflow and durability. Plus, our Intakes are manufactured in-house for the the highest quality control and the lowest tolerance variability. Feed your engine the cold air it needs with a Sinister Cold Air Intake.



2003-07 Ford 6.0 Powerstroke F250-450/Excursion - Cold Air Intake



AIR INTAKE

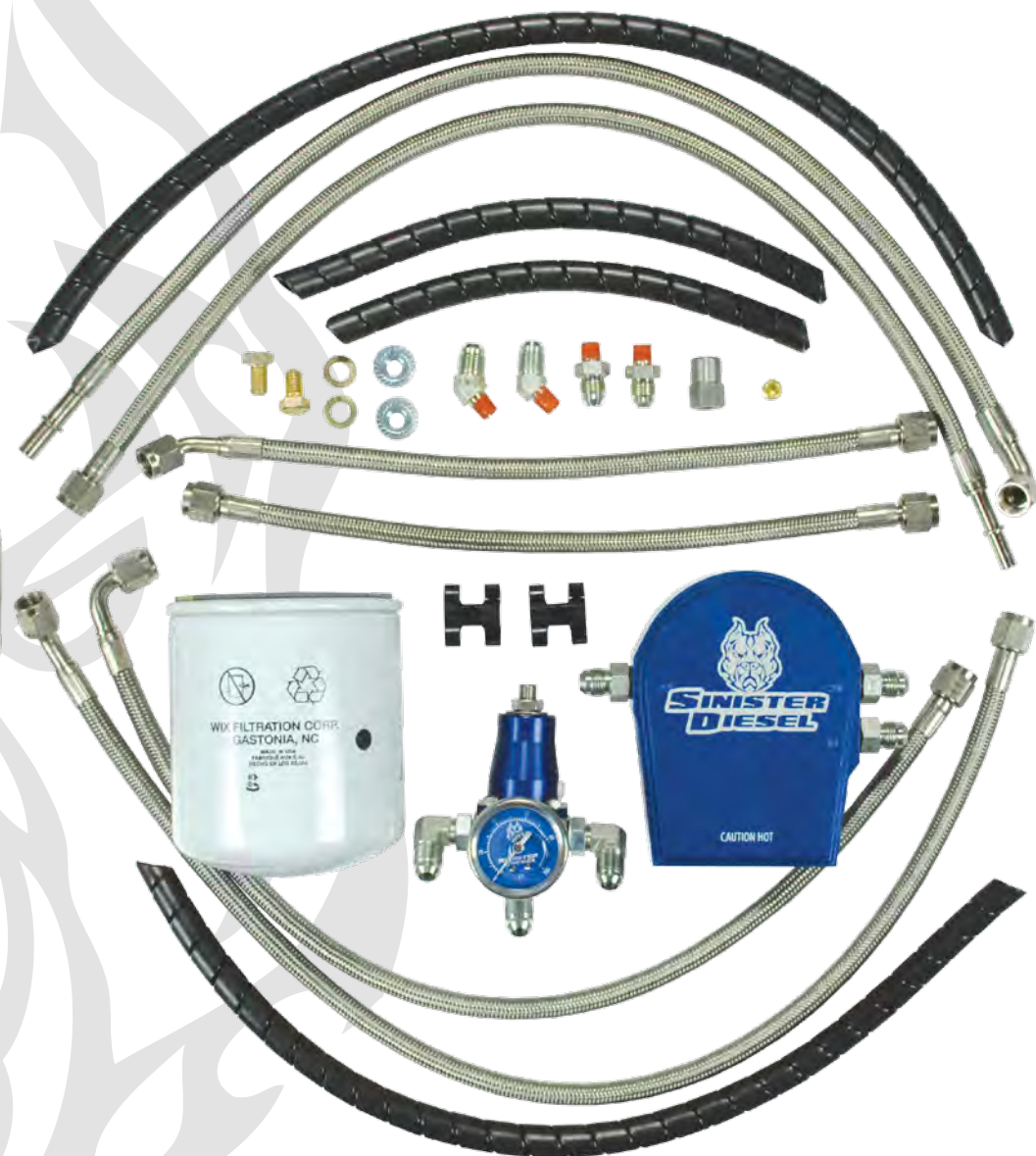
FUEL SYSTEMS

Sinister offers a variety of fuel system kits and components to improve your truck's performance and longevity. For example, our CAT Fuel Filter Adaptor provides filtration down to 2 microns, installs in under an hour, and keeps your fuel system running clean. Our Regulated Fuel Return Kit features a fuel pressure gauge that allows you to maintain a constant fuel pressure of 55-65psi, prevents "dead heading" of the injectors, lubricates the spool valve, provides for easier start-ups, reduces engine noise, improves overall performance, and more.

2001-15 Chevy/GMC 6.6 Duramax 2500-3500 - CAT Filter Adaptor



2004.5-07 Dodge 5.9 Cummins - CAT Filter Adaptor



1999.5-03 Ford 7.3 Powerstroke - Regulated Fuel Return Kit*
(Also available for 2003-07 Ford 6.0 Powerstroke)



***WARNING REGARDING EMISSIONS LAWS**
Not legal for sale or use on pollution-controlled motor vehicles anywhere in the United States. Legal ONLY for off-road competition racing vehicles and cannot be used on vehicles that are operated on public streets, roads or highways. This product is not for sale or use in the state of California.

FUEL SYSTEMS



Universal Fuel Tank Sump Kit



2001-10 Chevy/GMC 6.6 Duramax - Fuel Bleed Screw



2004.5-10 Chevy/GMC 6.6 Duramax - Fuel Rail Race Plug
(Also available for 2007.5-12 Dodge 6.7 Cummins)



2003-09 Dodge 5.9 & 6.7 Cummins - Fuel Bowl Delete

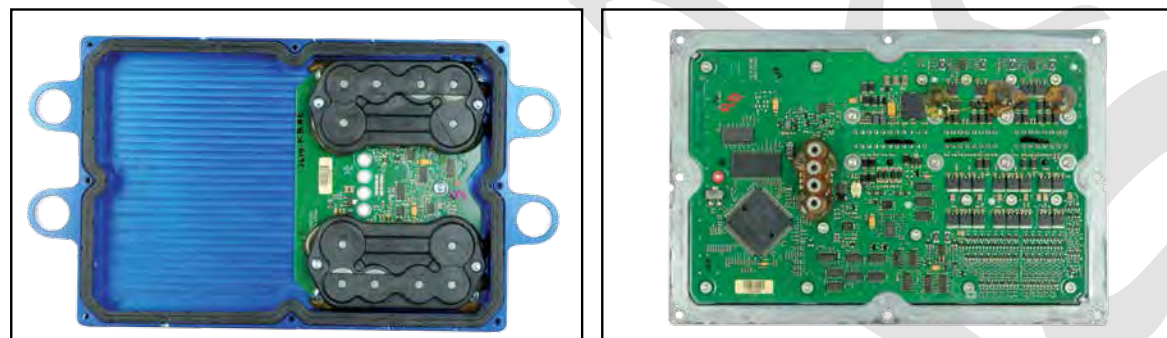
FICM

2003-07 Ford 6.0 Powerstroke - 58V FICM
(48V FICM also available)



Sinister Diesel's 58 Volt FICM (Fuel Injection Control Module) is designed to improve drivability by giving you better horsepower, fuel economy, and cold weather performance. It comes pre-programmed with the latest flash programming directly from Ford and is backed by a 2-year warranty, so you can buy with confidence.

Inside of FICM



HEAD GASKETS



These Head Gaskets feature a durable black coating, with a five-layer stainless steel adaptive fluoroelastomer (FKM) coating that seals rougher surface finishes. They are designed to keep costs down and performance up with improved durability, reduced oil consumption, improved engine performance and reduced bore distortion.

2001-15 Chevy/GMC 6.6 Duramax - Head Gaskets (shown left)

2003-07 Ford 6.0 Powerstroke - Black Diamond Head Gaskets (shown right)

Also Available for:
• 1994-15 Ford Powerstroke
• 1989-15 Dodge Cummins

EGR COOLERS



2004-07 Ford 6.0 Powerstroke - EGR Cooler

Stock Factory EGR Cooler with mesh vs. Sinister EGR Cooler with tubes



2003 Ford 6.0 Powerstroke - EGR Cooler



2004.5-05 Chevy/GMC 6.6 Duramax LLY - EGR Cooler



2008-10 Ford 6.4 Powerstroke - Cooler Kit
(Also sold separately)



2006-07 Chevy/GMC 6.6 Duramax LBZ - EGR Cooler



2007.5-12 Dodge 6.7 Cummins 2500/3500 - EGR Cooler



2007.5-10 Chevy/GMC 6.6 Duramax LMM - EGR Cooler
(Van and C&C Options Available)

When you're ready to level the front end of your truck so you can add bigger tires and rims, our kits get the job done. You get all the hardware you need, and installation is easy because no modifications are required.



1994-12 Dodge 5.9 & 6.7 Cummins - 2.5" Leveling Kit For 4WD
(Also available in black)



1999.5-04 Ford 6.0 & 7.3 Powerstroke F250-350/Excursion - 2" Leveling Kit For 4WD



LEVELING KITS

2005-10 Ford 6.4 & 6.0 Powerstroke F250-350 - 2" Leveling Kit for 4WD
(Also available in black & 2WD)



STEERING

Sinister's Steering Box Stabilizer helps eliminate the infamous "death wobble" and steering play common in Dodge pickups. Our Stabilizer couples your truck's two frame rails together at the absolute highest leverage point, providing maximum support and stability. Get control of your steering with Sinister's Steering Box Stabilizer.



2013-14 Dodge 2500-3500 4WD - Steering Stabilizer

Remove your factory EGR with Sinister Diesel's own Exhaust Gas Recirculation (EGR) Delete Kits. These kits completely replace your old factory EGR system giving you quicker turbo spool and lower exhaust gas temperatures (EGTs). Every kit is made in-house at Sinister Manufacturing using billet aluminum and stainless steel, and each design has been fully pressure tested to ensure you're protected against leaks.



RACING PRODUCTS

When it's time to lay down some real power, Sinister has the high performance parts you're looking for. From EGR Delete Kits to all your racing needs, these parts are made to be put to the test, off-road, for race only.



1994-02 Dodge 2500-3500 4WD - Steering Stabilizer



2003-09 Dodge 2500-3500 4WD - Steering Stabilizer



2010-12 Dodge 2500-3500 4WD - Steering Stabilizer



2001-10 Chevy/GMC 2500-3500 - Solid Centerlink



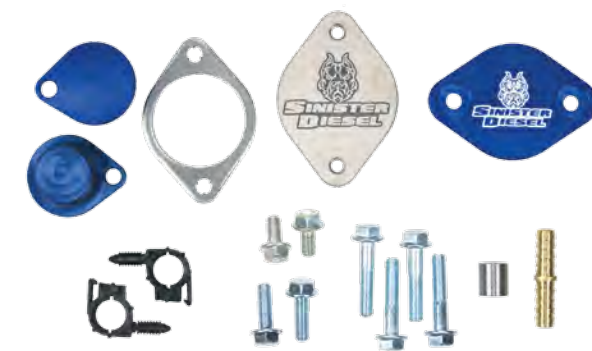
2003-07 Ford 6.0 Powerstroke - EGR Delete Kit*



2008-10 6.4 Ford Powerstroke - Complete EGR Delete with Elbow*



2008-10 Ford 6.4 Powerstroke - EGR Delete*



2011-15 Ford 6.7 Powerstroke - EGR Delete*



***WARNING REGARDING EMISSIONS LAWS**
Not legal for sale or use on pollution-controlled motor vehicles anywhere in the United States. Legal ONLY for off-road competition racing vehicles and cannot be used on vehicles that are operated on public streets, roads or highways. This product is not for sale or use in the state of California.



2010-12 Dodge 6.7 Cummins - EGR Delete*
(Also available for 2007.5-09)



2011-12 Chevy/GMC 6.6 Duramax LML - EGR Delete*



2007.5-10 Chevy/GMC 6.6 Duramax LMM - EGR Delete with Intake Elbow*



2007.5-10 Chevy/GMC 6.6 Duramax LMM - EGR Delete*



2004.5-05 Chevy/GMC Duramax 6.6 LLY - EGR Delete*



2006-07 Chevy/GMC 6.6 Duramax LBZ - EGR Delete*



2004.5-05 Chevy/GMC 6.6 Duramax LLY - EGR Delete with Intake Elbow*



2006-07 Chevy/GMC 6.6 Duramax LBZ - EGR Delete with Intake Elbow*



***WARNING REGARDING EMISSIONS LAWS**
Not legal for sale or use on pollution-controlled motor vehicles anywhere in the United States. Legal ONLY for off-road competition racing vehicles and cannot be used on vehicles that are operated on public streets, roads or highways. This product is not for sale or use in the state of California.



***WARNING REGARDING EMISSIONS LAWS**
Not legal for sale or use on pollution-controlled motor vehicles anywhere in the United States. Legal ONLY for off-road competition racing vehicles and cannot be used on vehicles that are operated on public streets, roads or highways. This product is not for sale or use in the state of California.

SINISTER APPAREL FOR MEN

Look as good as your truck with Sinister's line of clothing. From jackets and hoodies to sweatshirts, t-shirts and hats, Sinister apparel for men, women - and even kids - is perfect for any occasion, any time of year.



SINISTER APPAREL

SINISTER APPAREL FOR WOMEN



Kershaw's Ken Onion Scallion Knife with laser etched Sinister Diesel logo



Wall Banners



Sinister Diesel Fender Protector



Die-Cut Sinister Diesel Decals & Window Stickers Available in 10, 12, 16, & 38 inch sizes. All stickers available in white and black.



Sinister Coozies



Sinister Diesel Pit Bull Grille Emblem

SINISTER MERCHANDISE

Sinister merchandise makes a perfect gift for friends, family (or yourself!). From practical to decorative, you'll find the right Sinister gear for everyone.

Sinister Diesel 16" Wall Clock



Sinister Diesel Gift Cards

