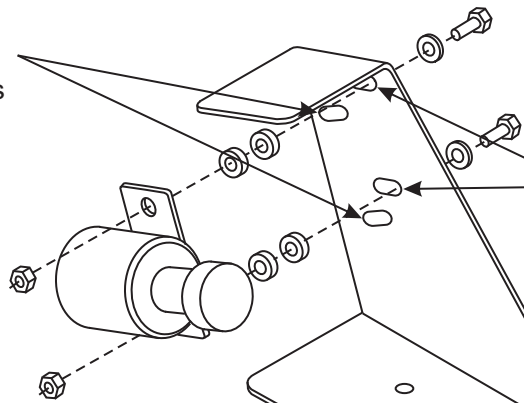


SHIFNOID DIAGRAM

FOR A SHIFNOID SN6000 SHIFT KIT



Use these holes for all 3-speed transmissions



Use these holes for all 2-speed transmissions

FIGURE 1

RED WIRE
BLACK WIRE

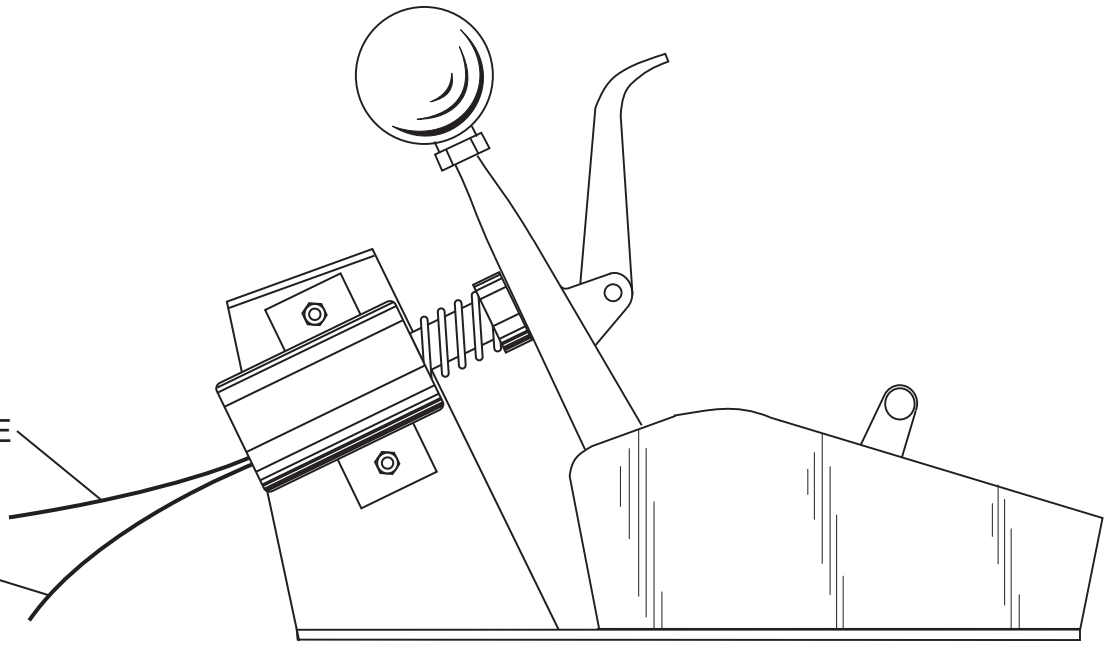


FIGURE 2