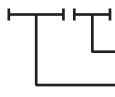


Part numbering:

31-TS



AN size: 06, 08, 10, 12  
temp in °F: 180, 190



## INSTALLATION INSTRUCTIONS In-line Thermal Switch Assembly

Please read these instructions completely before beginning installation

### KIT CONTENTS

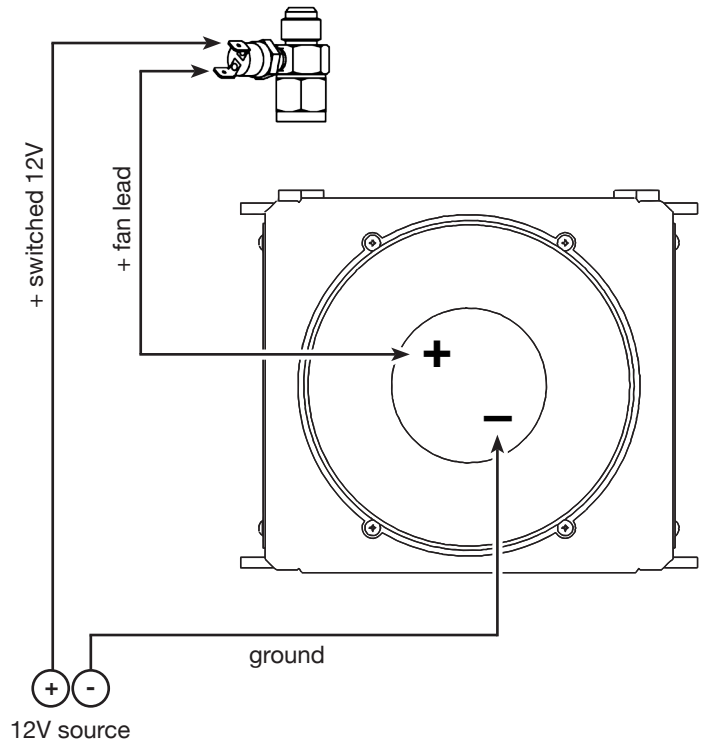
| QTY. | DESCRIPTION                           |
|------|---------------------------------------|
| 1    | AN male-female swivel adapter fitting |
| 1    | Thermal switch (rated for 10A @ 12V)  |

### OPERATION SUMMARY

Switch intended to be used to complete circuit at the prescribed temperature for automatically switching on/off any 12V accessory. Higher amperage devices may require the use of a relay (sold separately).

### INSTALLATION INSTRUCTIONS

1. Install thermal switch into AN adapter fitting to finger-tight using Teflon thread sealant or Teflon tape. Then tighten to 2 to 2-1/2 turns-from-finger-tight using a 5/8" spanner on the hex.
2. Install In-line thermal switch assembly onto AN fitting on the inlet port (hot side) of the oil cooler. Clock the switch to the desired orientation. Using a supporting spanner, tighten the switch assembly.
3. Wiring: Attach either of the terminals on the switch to a switched-ignition 12V source. Attach the other terminal to the (+) lead from the fan. Attach the remaining fan lead to a good chassis ground.
4. Start vehicle and check for leaks.



### ACCESSORIES AVAILABLE

| PART #     | DESCRIPTION                          |
|------------|--------------------------------------|
| 31-FWP16   | sūsa Fuse Wire Patch, 16AWG          |
| 31-R30A-5P | sūsa 5-pin 30/40A power relay        |
| TS180      | Thermal switch, 180°, 1/8" NPT probe |
| TS190      | Thermal switch, 190°, 1/8" NPT probe |