

## Spectrum - Lights/Mirrors

Assembly and Installation of Spectrum lights/mirrors and 2 universal clamps.



Thank you for purchasing Sector Seven's Spectrum lights/mirrors for your ride! Please read through all of these instructions before installing product. Installation should be pretty straight forward but if you have any technical questions please contact us. If you do not feel comfortable with the installation we recommend having a professional install the product.



**Step 1** | Remove bolt from clamp and insert ball pivot into clamp.

**Note** | Have a windshield? See back of page.



**Step 2** | Install bolt back into clamp capturing ball pivot and tighten to 70 in/lbs.



**Step 3** | Loosen clamp bolts to clear cage.



**Step 4** | Tighten bolts evenly to secure to cage. *Do not exceed 60 in/lb.* Route wire through clamp or between clamp & cage.

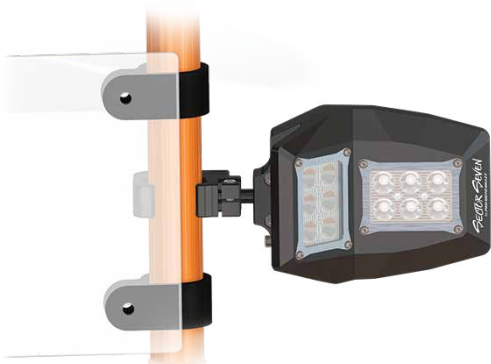
**Note** | Route cable avoiding sharp or abrasive edges and moving components. Use grommets or protective sheathing where needed. For best results we recommend wiring through a fused circuit accompanied by a relay.

*White wire (+12v) = Lights power*

*Black wire = Ground*



**Step 5** | Adjust mirror/light to preferred angle and then tighten adjustment screw to desired firmness. *Do not exceed 60 in/lb.*

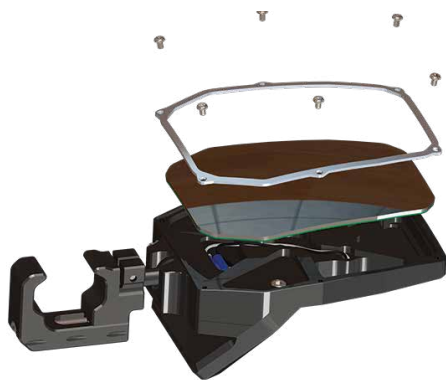


**Do you have a windshield?** | No problem! If installing our Spectrum lights/mirrors on a vehicle with a windshield, simply rotate clamp 180° and install on backside of cage. All other steps are the same.



**Lens Replacement** | To replace either of the lenses, first remove the four-M4 bolts, followed by the bezel, then carefully remove the lens. Make sure to clean out any debris from the LED cavity and make sure that the O-ring is clean and clear of debris as well. To install new lens follow the previous steps in reverse. Tighten bolts incrementally in a diagonal pattern to reduce chance of glass breaking. Torque spec.: 70 in/lb.

*Note: Do not overtighten.*



**Mirror Replacement** | To replace the convex mirror, first remove the six-M4 bolts, followed by the bezel, then carefully remove the convex mirror. Make sure to clean out any debris in the mirror cavity before replacing the mirror. To install new mirror follow the previous steps in reverse.

Tighten bolts incrementally in a diagonal pattern to reduce chance of glass breaking. Torque spec.: 70 in/lb.

*Note: Do not overtighten.*

**Mirror/Glass Care** | Use caution when cleaning mirror/glass; sand, dirt, and mud are very abrasive. If your mirrors/glass have a high amount of mud/debris on them, it's best to spray with water first then wipe with soft cloth or towel. Do not use strong/harsh cleaning products which may damage mirror/glass or anodized surfaces.

**CAUTION!** | Lights/Mirrors could be HOT! Use caution if handling shortly after lights have been on for an extended period.

**Spectrum Warranty** | If Sector Seven determines, in its sole discretion, that your product is defective in material or workmanship, Sector Seven will honor your warranty claim. In some cases, the product may be replaced depending on the specific timeframe of the purchase. If the product is repaired, all parts, labor, and return shipping will be covered.

Warranties cover defects in manufacturing or craftsmanship only. Warranties do not cover, among other things: installation errors, wear and tear, acts of God, misuse, abuse, neglect, accidents, collisions, defects due to custom specifications provided by you, or any product modifications, configurations or combinations not performed by us or on our behalf.

- 5-year manufacturer's warranty on Spectrum housing and clamp. *Note: You must be the original owner with proof of product registration within 30 days after purchase.*
- 5-year manufacturer's warranty on Spectrum LED lights.
- No warranty on glass and anodized coatings.
- Failure to properly register purchase with Sector Seven may void the warranty.