

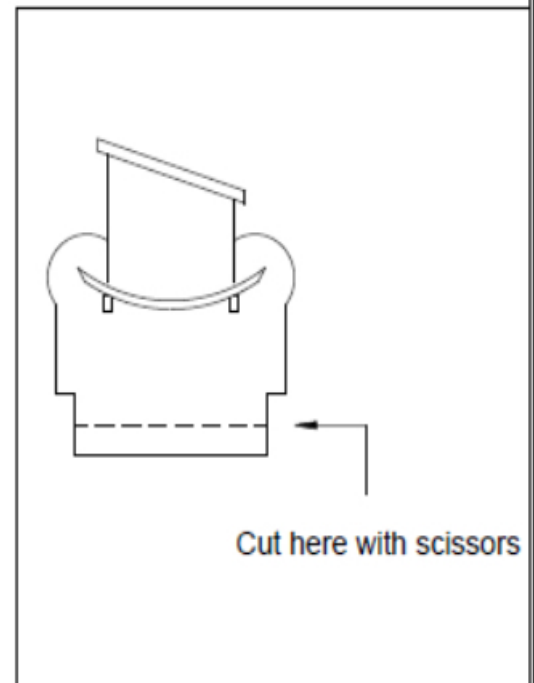
Seatbelt Solutions

"Your Affordable

Solution To Safety"

REAR SEAT BELT INSTALLATION FOR MUSTANG 1979-1989

1. Remove rear seat bottom.
2. Remove retractor and buckle.
3. Drill out pop rivet on retractor cover and remove cover from retractor
4. With a pair of scissors cut bottom of flap in half.
(see illustration). The factory flap on cover is too long and will make the retractor lock up.
5. Pull belt out of new retractor and slide the tongue through the opening on the cover.
6. Push flap back in front of retractor pull cover down to install screw where the pop rivet was located. (Screws provided with seat belt kit).
7. Now the seat belt is ready to install.
 - A) Bolt retractor back in place.
 - B) Bolt buckle side back in place.
8. Repeat the same instructions on the other side.



79-89 Rear Fox Body Mustang