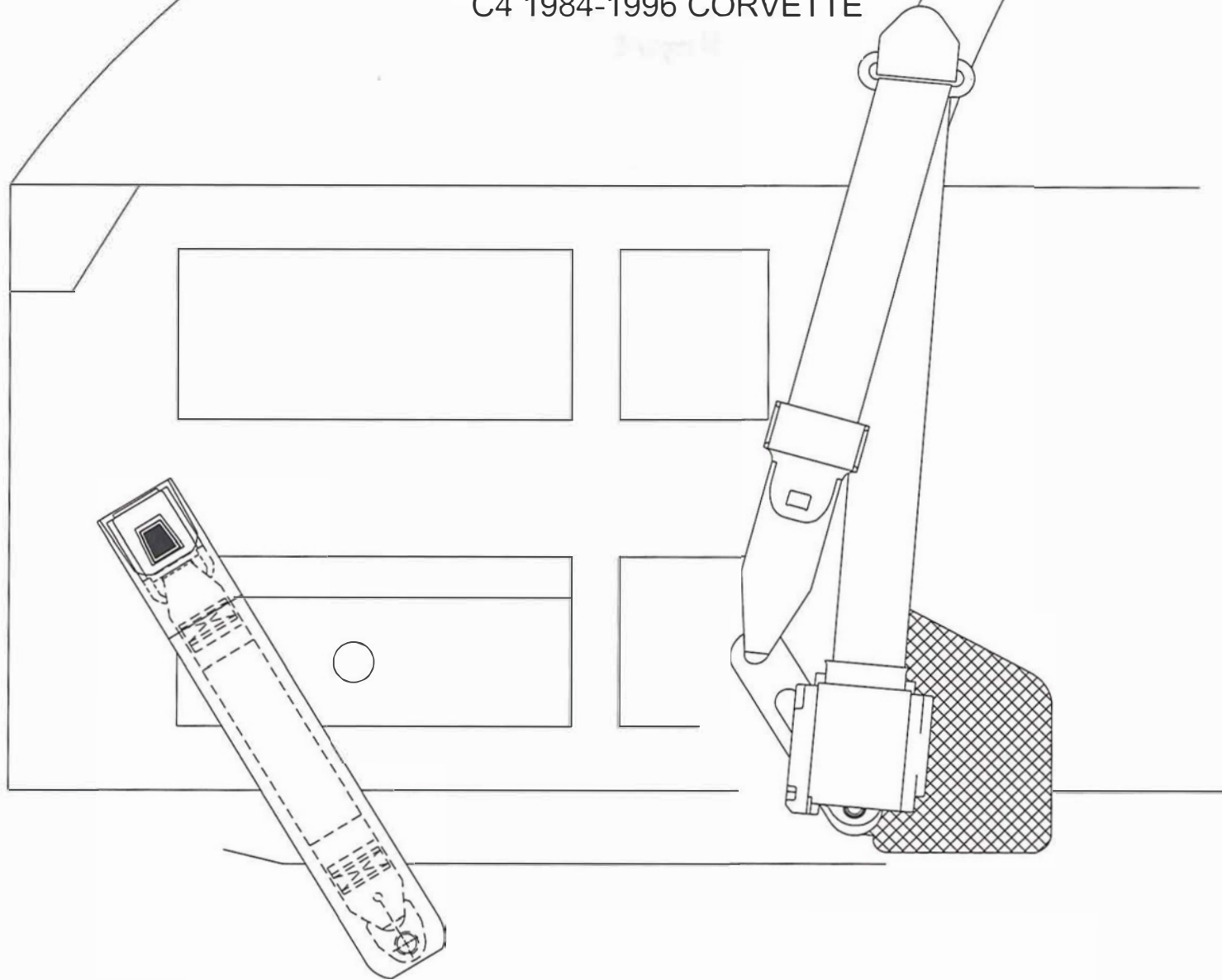


C4 1984-1996 CORVETTE



Seatbelt Solutions

C4 1984-1996 Corvette

1. Using a flat screwdriver, carefully pry open the cover on the existing roll anchor.
2. Remove the bolt from the retractor and roll anchor. Be sure to save existing hardware as it will be used later.
3. Using the carpet cut out provided, fit the section of carpet into the space where the retractor was.
4. Bolt the new retractor in place using the same hole and hardware the original retractor was mounted with, be sure to thread the bolt through the long anchor and into the carpet section fitted in line 2.
See manufacturers guide for torque specifications.
5. Using the same hole the original roll anchor was mounted in mount the new roll anchor. See manufacturers guide for torque specifications. Once the bolt has been torqued snap the black cover on the roll anchor in place.
6. Remove original buckle assembly, using a coat hanger hook the anchor end and pull through the sleeve. make sure the buckle is snug and the anchor is pulled completely through the sleeve as shown on page 2.

