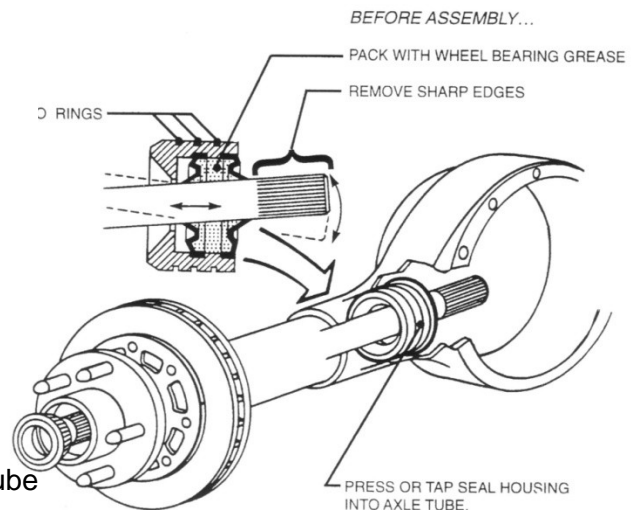
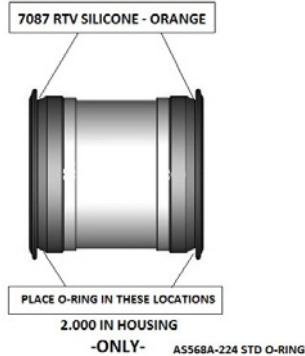




**ECONOMY AXLE SEAL**  
**EAS15 / EAS25 / EAS35**



PART # EAS15	HOUSING I.D.	AXLE SEAL I.D.	FITS AXLE O.D.	PASS THRU MAX
EAS15100 FITS	2.500 / 2.750	1.000	1.300 – 1 5/16" - 1 7/16" – 1 3/8" – 1.400	1.850
EAS15125 FITS	2.500 / 2.750	1.250	1.500 / 1 1/2" – 1.600	1.850
EAS15132 FITS	2.500 / 2.750	1.320	1 5/8" – 1.750 / 1 3/4"	1.850
PART # EAS25	HOUSING I.D.	AXLE SEAL I.D.	FITS AXLE O.D.	PASS THRU MAX
EAS25875 FITS	2.125 / 2.250	.875	1.000/1" – 1 1/16" – 1 1/8" – 1 3/16" – 1.250/1 1/4"	1.850
EAS25100 FITS	2.125 / 2.250	1.000	1.300 – 1 5/16" – 1 7/16" – 1 3/8" – 1.400	1.850
EAS25125 FITS	2.125 / 2.250	1.250	1.500/1 1/2" – 1.600	1.850
EAS25132 FITS	2.125 / 2.250	1.320	1 5/8" – 1.750/1 3/4"	1.850
PART # EAS35	HOUSING I.D.	AXLE SEAL I.D.	FITS AXLE O.D.	PASS THRU MAX
EAS35875 FITS	1.900 / 2.000	.875	1.000/1" – 1 1/16" – 1 1/8" – 1 3/16" – 1.250/1 1/4"	1.850
EAS35100 FITS	1.900 / 2.000	1.000	1.300 – 1 5/16" – 1 7/16" – 1 3/8" – 1.400	1.850
EAS35125 FITS	1.900 / 2.000	1.250	1.500/1 1/2" – 1.600	1.850



- Seal can be used at either end or both ends of the tube
- Use seal to retain gear oil in the ring and pinion
- Seal used by circle track, drag, and street customers
- Before installing seal, lightly pack a "low melt" temperature grease inside between the two seals, leaving enough room for the axle to pass through. A coating of about 1/8"-3/16" is sufficient.
- Applying a bead of orange high temperature silicone around the rubber flange of the seal will help lubricate for installation and to retain the seals location
- DO NOT HIT OR DRIVE SEAL INTO PLACE. THIS COULD RESULT IN CUTTING THE SEAL ON THE HOUSING.



## ECONOMY AXLE SEAL 2ND GENERATION (Replaces EAS3-5)

This seal can be used at either end or both ends of the tube.

Circle track, drag, and street customers use the seal to retain gear oil in the ring and pinion. Off road customers also use one at the hub to keep out contaminants from entering the housing.

This seal fits axle tubes with inside diameters between 1.900 and 2" and axle outside diameters of 1" and 1.600 and will allow enough pass through room of 1.850 O.D. of axle.

PART #	HOUSING I.D.	AXLE SEAL I.D.	FITS AXLE O.D	PASS THRU MAX
<b>EAS35875 FITS</b>	<b>1.900</b>	<b>.875</b>	<b>1.000/ 1"</b>	<b>1.850</b>
			<b>1 1/16"</b>	
			<b>1 1/8"</b>	
			<b>1 3/16"</b>	
			<b>1.250/1 1/4"</b>	
<b>EAS35100 FITS</b>	<b>1.900</b>	<b>1.000</b>	<b>1.300</b>	<b>1.850</b>
			<b>2.000</b>	
			<b>1 5/16"</b>	
			<b>1 7/16"</b>	
			<b>1 3/8"</b>	
<b>EAS35125 FITS</b>	<b>1.900</b>	<b>1.250</b>	<b>1.400</b>	<b>1.850</b>
			<b>1.500/1 1/2"</b>	
			<b>2.000</b>	
			<b>1.600</b>	

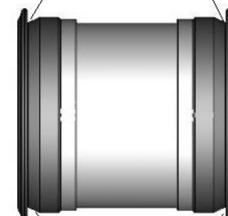
Installation Instructions: Before installing the seal, lightly pack a "low melt" temperature grease inside between the two seals, leaving enough room for the axle to pass through. A coating of about 1/8" to 3/16" is usually sufficient.

Applying a bead of orange high temperature silicone around the rubber flange of the seal will help lubricate for installation and to retain the seals location.

**DO NOT HIT OR DRIVE SEAL INTO PLACE. THIS COULD RESULT IN CUTTING SEAL ON HOUSING.**



7087 RTV SILICONE - ORANGE



PLACE O-RING IN THESE LOCATIONS

2.000 IN HOUSING

-ONLY-

AS568A-224 STD O-RING