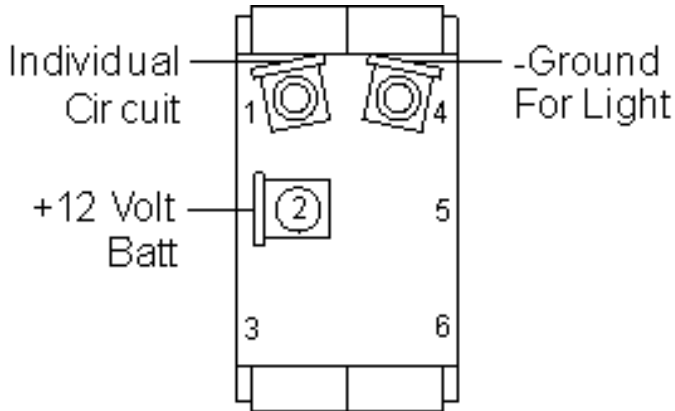
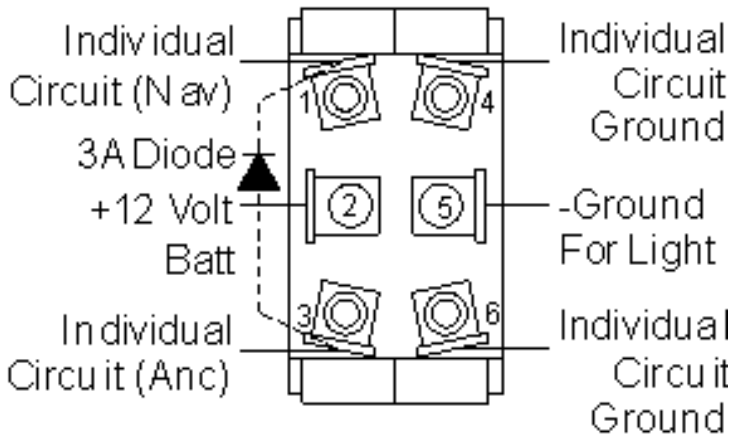


## Sea-Dog Illuminating Rocker Switches #420251 - 420259 Wiring Instructions



**420251(-1)**  
On / Off  
Single Pole / Single Throw

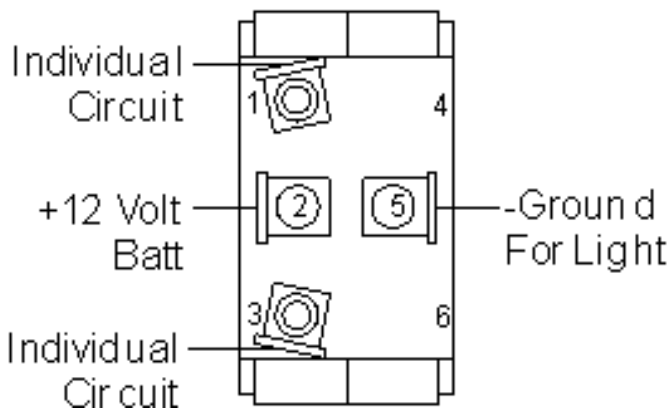
**420252(-1)**  
Mom. On / Off  
Single Pole / Single Throw



**420253(-1)**  
On / Off / On  
Double Pole / Double Throw

*Use 3 amp Diode for Nav. / Anc. Function*

**420254(-1)**  
Mom. On / Off / Mom. On  
Double Pole / Double Throw



**420258(-1)**  
On / Off / On  
Single Pole / Double Throw

*Must be grounded at light source (term. 5) to work properly*

**420259(-1)**  
Mom. On / Off / Mom. On  
Single Pole / Double Throw

*Must be grounded at light source (term. 5) to work properly*