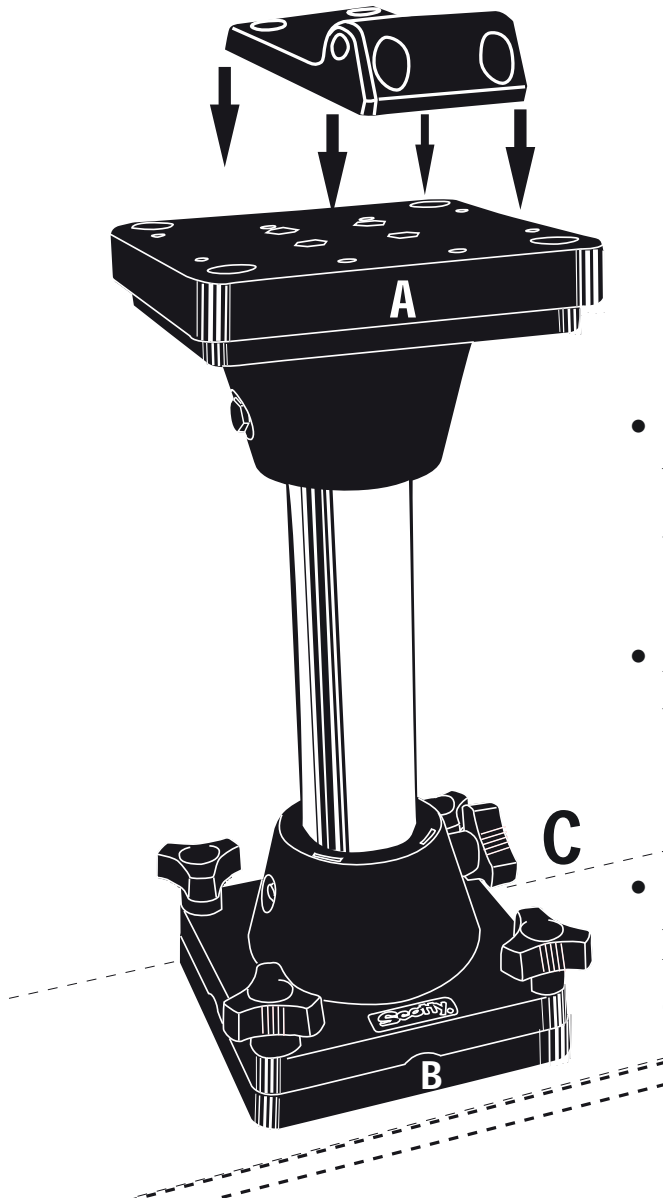




DOWNRIGGER PEDESTAL MOUNT INSTRUCTIONS



When using Scotty 1023 Tilt-Up Mounting Bracket

- Mount Scotty “1023 Downrigger bracket to the top plate (A) using the stainless steel fastenings.
 - Attach mounting plate (B) to boat using 1/4” stainless steel fastenings
-
- To swivel downrigger remove star knob (C) and twist the top portion of the mount 90°.