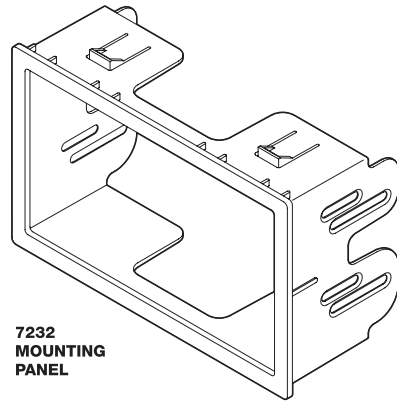


IN-DASH DOUBLE DIN STEREO INSTALLATION KIT FOR SELECT 1999-2006 VW MODELS

APPLICATIONS:

YEAR	MODEL
1999-2006	GOLF
1999-2005	GTI
1999-2005	JETTA (excluding late 2005 models)
2000-2005	PASSAT


7232 MOUNTING PANEL

INTRODUCTION/PRELIMINARY

This premium installation kit is for Select 1999-2006 VW vehicles. Included are all the parts you need to mount your car stereo or CD player into your vehicle's dash. Refer to the individual instruction in this manual to remove your vehicle's factory radio and assemble the kit.

CAUTION

DISCONNECT YOUR VEHICLE'S NEGATIVE BATTERY TERMINAL BEFORE THE INSTALLATION TO HELP PREVENT ELECTRICAL DAMAGE. WE RECOMMEND THE USE OF A VOLT/OHM METER OVER A TEST LIGHT TO CHECK WIRING. A TEST LIGHT OR GROUNDED WIRE PROBE CAN CAUSE DAMAGE TO THE VEHICLE'S COMPUTER AND/OR DIAGNOSTIC SYSTEMS. AVOID ALL FACTORY AIRBAG WIRING - AIRBAGS CAN ACCIDENTALLY DEPLOY CAUSING SERIOUS INJURY OR DEATH.

NOTES

- See your vehicle's instructions for any special tools your installation might require.
- Read all instructions accompanying your car stereo for proper wiring and mounting instructions.

CAR STEREO CONNECTORS

PROVIDE EASY CONNECTION OF YOUR CAR STEREO TO FACTORY WIRING HARNESS.

VW01B

1986-up Volkswagen power/speaker connector

VWA2B

VW Amplified Antenna Adapter

VW01B

VWA2B


LIABILITY DISCLAIMER

This instruction booklet is based on carefully documented data and research of automobile dash disassembly, wire harness/ codes and information pertaining to installation of this kit (VW2351B) in 1999-2006 VW vehicles. Scosche Industries, Inc. cannot be held responsible for discrepancies/inconsistencies that may occur due to the automobile manufacturing changes or options, or damage that may occur in the automobile during the installation of components while using this booklet.

FACTORY STEREO REMOVAL

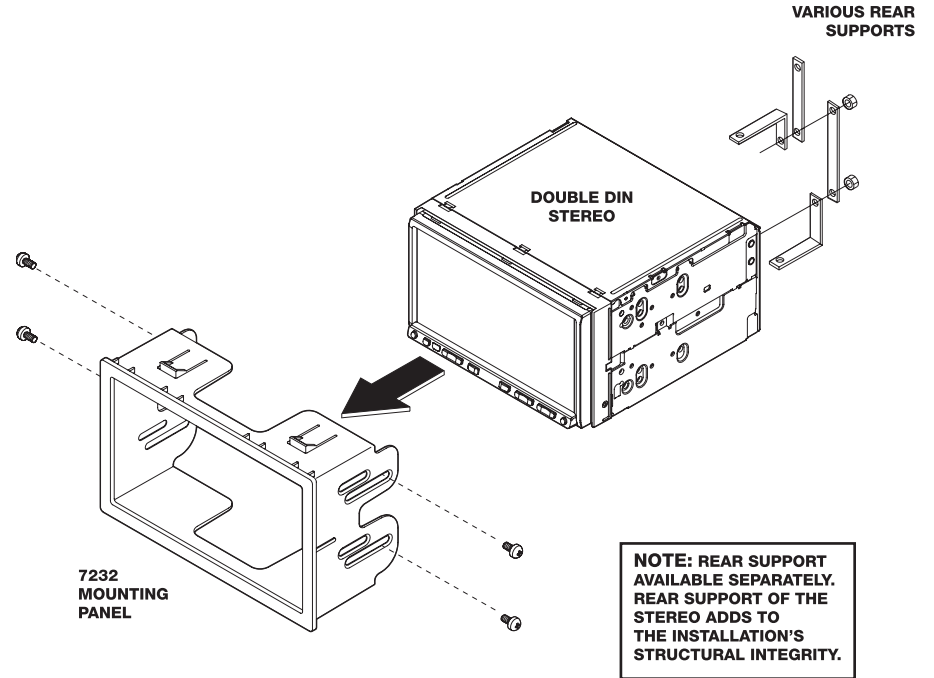
1999-2006 VW GOLF
1999-2005 VW GTI
1999-2005 VW JETTA (excluding late 2005 models)
2000-2005 VW PASSAT

Insert four (4) Volkswagen Radio Removal Keys to release radio. **Note:** Requires (2) keys for Single Din and (4) keys for Double Din radios. Remove radio and disconnect.

MOUNTING THE STEREO

DOUBLE DIN MOUNT

Align and insert aftermarket Double Din stereo into 7232 Panel, and secure to brackets using the screws supplied with kit. Reconnect stereo and mount into dash.


VARIOUS REAR SUPPORTS
DOUBLE DIN STEREO
7232 MOUNTING PANEL

NOTE: REAR SUPPORT AVAILABLE SEPARATELY. REAR SUPPORT OF THE STEREO ADDS TO THE INSTALLATION'S STRUCTURAL INTEGRITY.