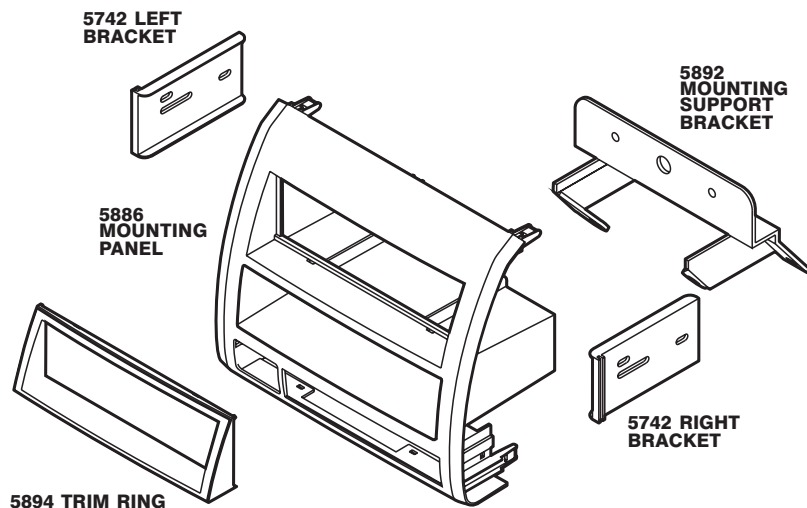


IN-DASH INSTALLATION KIT FOR 2005-UP TOYOTA TACOMA DIN KIT



INTRODUCTION / PRELIMINARY

Thank you for purchasing the Scosche TA2052B Kit. This Kit was manufactured with the highest of quality standards.

NOTES:

- See your vehicle's instructions for any special tools your installation might require.
- Read all instructions accompanying your car stereo/cassette player for proper wiring and mounting instructions.

RADIO REMOVAL

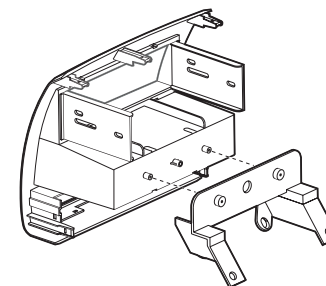
2005-UP TOYOTA TACOMA

1. Using a pick tool carefully pry out the A/C controls.
2. Remove (4) 10mm bolts securing the radio to the dash. Disconnect radio and remove.

KIT PANEL ASSEMBLY

A. ATTACHING THE REAR BRACKETS

1. Align the two (2) screw hole locations to the matching locations on pocket. When aligned, slide the bracket together. Screw the two (2) supplied screws to screw hole locations.



B. HAZARD / CLOCK DISPLAY REMOVAL INSTRUCTIONS AND REATTACHMENT

1. Remove the (2) small Phillips screws from each side of the factory radio that secure the radio to the rear of the radio face and pull the radio assembly away from the back of the face of the radio and set aside with the screws that were removed.
2. Using a small flat blade screwdriver, carefully remove the hazard / clock display panel by prying the thin plastic strip from around the instrument housing outward to release the hazard / clock display from the housing. There are (2) retaining snaps on the top side and the bottom side and (1) on each edge.
3. Once the module is removed, carefully remove all plastic mounting clips from the factory panel and reattach them to the corresponding mounting clips on the 5886 panel.
4. Slide the hazard / clock display panel into the housing on the 5886 panel until it snaps and locks into place.

C. DIN AND ISO INSTALLATION

1. For DIN mount application, slide into radio opening.
2. For ISO installation, attach ISO brackets by sliding into sides of DIN opening wall.

