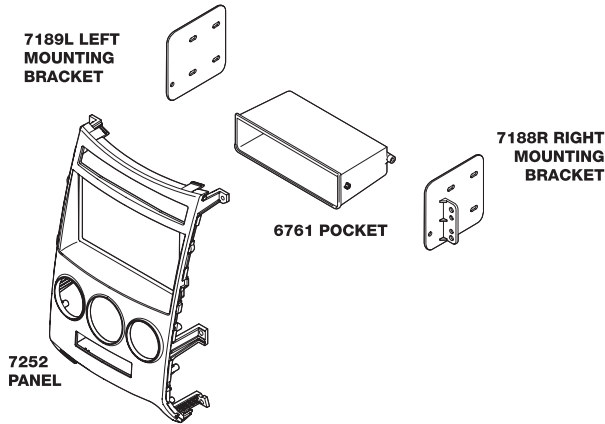


**IN-DASH STEREO INSTALLATION KIT FOR  
2007-UP HYUNDAI VERACRUZ  
(WITH MANUAL CLIMATE CONTROLS)**



**INTRODUCTION/PRELIMINARY**

This premium installation kit is for 2007-UP Hyundai Veracruz vehicles. Included are all the parts you need to mount your car stereo or CD player into your vehicle's dash. Refer to the individual instruction in this manual to remove your vehicle's factory radio and assemble the kit.

**CAUTION**  
DISCONNECT YOUR VEHICLE'S NEGATIVE BATTERY TERMINAL BEFORE THE INSTALLATION TO HELP PREVENT ELECTRICAL DAMAGE. WE RECOMMEND THE USE OF A VOLT/OHM METER OVER A TEST LIGHT TO CHECK WIRING. A TEST LIGHT OR GROUNDED WIRE PROBE CAN CAUSE DAMAGE TO THE VEHICLE'S COMPUTER AND/OR DIAGNOSTIC SYSTEMS. AVOID ALL FACTORY AIRBAG WIRING - AIRBAGS CAN ACCIDENTALLY DEPLOY CAUSING SERIOUS INJURY OR DEATH.

- NOTES**
- See your vehicle's instructions for any special tools your installation might require.
  - Read all instructions accompanying your car stereo for proper wiring and mounting instructions.

CAR STEREO CONNECTORS			
<p><b>PROVIDE EASY CONNECTION OF YOUR CAR STEREO TO FACTORY WIRING HARNESS.</b></p>			
<p><b>HY11B</b> 2008-Up Hyundai Premium Sound Harness (amplified systems only)</p>	<p><b>KAAB</b> 2008 Select Kia / Hyundai Antenna Adapter</p>	<p><b>HY11B</b></p>	<p><b>KAAB</b></p>
<p><b>HY10B</b> 2008-Up Hyundai Harness</p>	<p><b>HY08B</b></p>	<p><b>HY07B</b></p>	
<p><b>HY08B</b> 2006-Up Hyundai with Infinity Sound System Harness</p>			
<p><b>HY07B</b> 2006-Up Hyundai Harness</p>			

**LIABILITY DISCLAIMER**

This instruction booklet is based on carefully documented data and research of automobile dash disassembly, wire harness/ codes and information pertaining to installation of this kit (HY1629B) in 2007-Up Hyundai Veracruz vehicles. Scosche Industries, Inc. cannot be held responsible for discrepancies/inconsistencies that may occur due to the automobile manufacturing changes or options, or damage that may occur in the automobile during the installation of components while using this booklet.

**FACTORY STEREO REMOVAL**

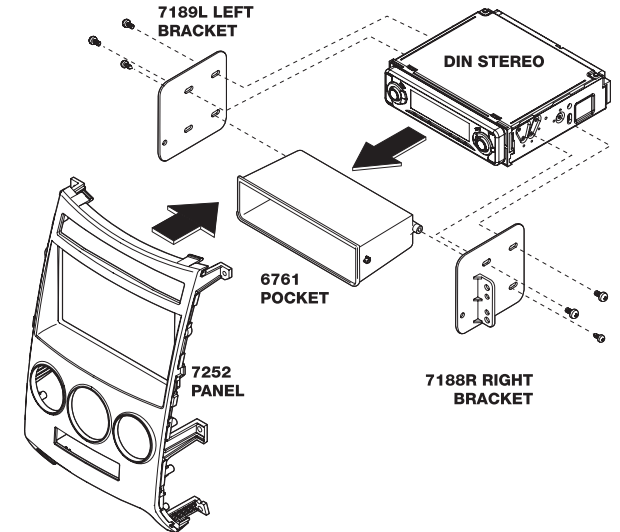
**2007-UP HYUNDAI VERACRUZ**

1. Use a panel removal tool to remove left and right side trim panels around stereo. Unplug hazard switch and remove panel.
2. Remove (10) Phillips head screws securing factory stereo .
3. Pull out stereo. Unplug harness and antenna, then remove stereo.
4. Using a Phillips head screwdriver extract (6) screws attaching the stereo to the factory panel, and remove.
5. Using a Phillips head screwdriver extract (10) screws attaching the HVAC controls, lower pocket and upper passenger airbag light to factory panel, and remove these items. **Note:** Use the factory screws to re-install these items on the Scosche 7252 kit panel before installing the aftermarket stereo.

**MOUNTING THE STEREO**

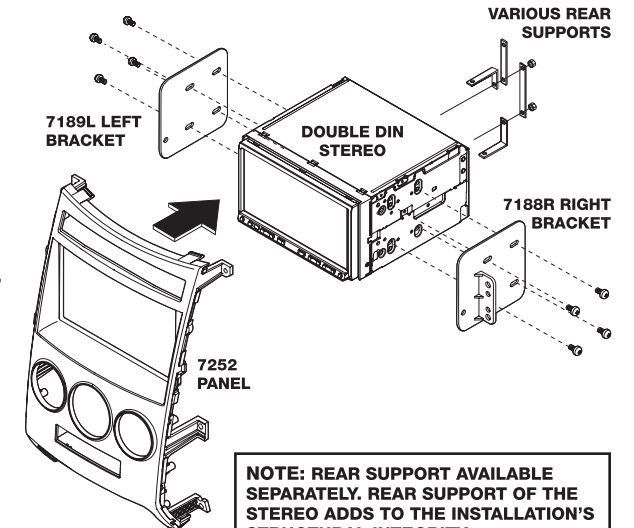
**SINGLE DIN MOUNT**

1. Attach the 6761 pocket to the lower portion of the 7188 & 7189 brackets
2. Mount the aftermarket stereo to the upper portion on the 7188 & 7189 brackets using the screws supplied with the stereo. **Note:** If hardware is not supplied with aftermarket stereo reuse hardware from factory stereo.
3. Connect stereo and mount into dash using (4) 7mm screws.
4. Connect and install 7252 panel assembly over aftermarket stereo and finish dash assembly.



**DOUBLE DIN MOUNT**

1. Mount the aftermarket stereo to the upper portion on the 7188 & 7189 brackets using the screws supplied with the stereo. **Note:** If hardware is not supplied with aftermarket stereo reuse hardware from factory stereo.
2. Connect stereo and mount into dash using (4) 7mm screws.
3. Connect and install 7252 panel assembly over aftermarket stereo and finish dash assembly.



**NOTE: REAR SUPPORT AVAILABLE SEPARATELY. REAR SUPPORT OF THE STEREO ADDS TO THE INSTALLATION'S STRUCTURAL INTEGRITY.**