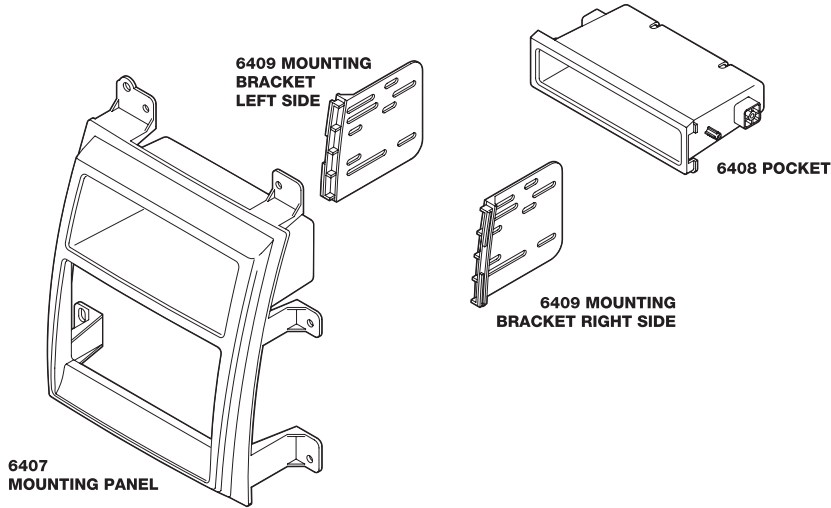


**IN-DASH INSTALLATION KIT FOR
2007-UP CADILLAC ESCALADE/ESV/EXT**



INTRODUCTION/PRELIMINARY

This premium installation kit is for 2007 Cadillac Escalade vehicles. Included are all the parts you need to mount your car stereo/cassette or CD player into your vehicle's dash. Refer to the individual instruction in this manual to remove your vehicle's factory radio and assemble the kit.

CAUTION:
DISCONNECT YOUR VEHICLE'S NEGATIVE BATTERY TERMINAL BEFORE THE INSTALLATION TO HELP PREVENT ELECTRICAL DAMAGE. WE RECOMMEND THE USE OF A VOLT/OHM METER OVER A TEST LIGHT TO CHECK WIRING. A TEST LIGHT OR GROUNDED WIRE PROBE CAN CAUSE DAMAGE TO THE VEHICLE'S COMPUTER AND/OR DIAGNOSTIC SYSTEMS. AVOID ALL FACTORY AIR BAG WIRING - AIR BAGS CAN ACCIDENTLY DEPLOY CAUSING SERIOUS INJURY OR DEATH.

NOTES:

- See your vehicle's instructions for any special tools your installation might require.
- Read all instructions accompanying your car stereo/cassette player for proper wiring and mounting instructions.

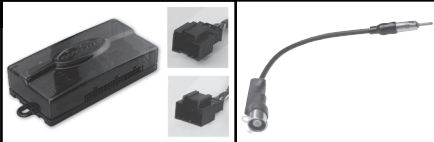
FACTORY WIRING CODES

CAR STEREO CONNECTORS

PROVIDE EASY CONNECTION OF YOUR CAR STEREO TO FACTORY WIRING HARNESS.

GM21SR
2007-up select General Motors with OnStar replacement interface

CRAB
2002-up Chrysler/Jeep antenna adapter



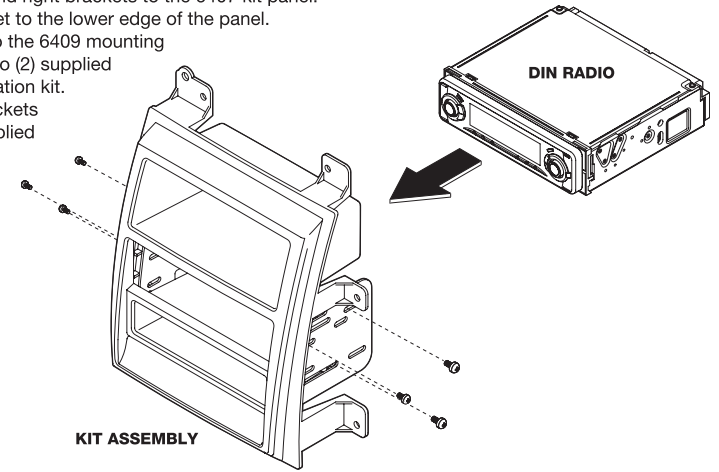
LIABILITY DISCLAIMER

This instruction booklet is based on carefully documented data and research of automobile dash disassembly, wire harness/codes and information pertaining to installation of this GM1521B kit for 2007 Cadillac Escalade vehicles. Scosche Industries, Inc. can not be held responsible for discrepancies/inconsistencies that may occur due to the automobile manufacturing changes or options, or damage that may occur in the automobile during the installation of components while using this booklet.

MOUNTING THE STEREO

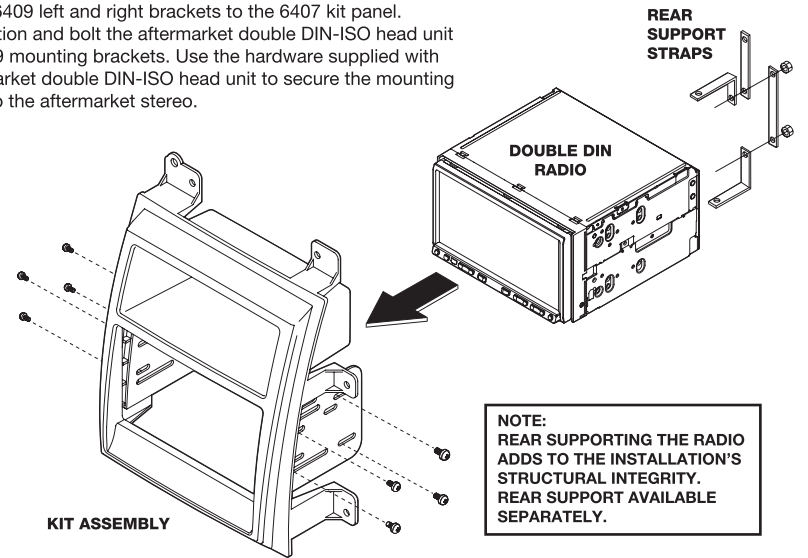
ISO DIN MOUNT

1. Snap the 6409 left and right brackets to the 6407 kit panel.
2. Align the 6408 pocket to the lower edge of the panel. Secure the pocket to the 6409 mounting brackets with the two (2) supplied screws in the installation kit.
3. Mount stereo to brackets with the radio's supplied screws.



DOUBLE DIN MOUNT

1. Snap the 6409 left and right brackets to the 6407 kit panel.
2. Align, position and bolt the aftermarket double DIN-ISO head unit to the 6409 mounting brackets. Use the hardware supplied with the aftermarket double DIN-ISO head unit to secure the mounting brackets to the aftermarket stereo.



NOTE:
REAR SUPPORTING THE RADIO ADDS TO THE INSTALLATION'S STRUCTURAL INTEGRITY. REAR SUPPORT AVAILABLE SEPARATELY.

RADIO REMOVAL

2007 CADILLAC ESCALADE

1. Using a panel removal tool unsnap the cup holder/ashtray unplug and remove.
2. Using a panel removal tool unsnap trim above glovebox.
3. Using a panel removal tool unsnap trim around stereo.
4. Extract (6) 9/32" hex screws securing the factory radio.
5. Lift away disconnect and remove.