

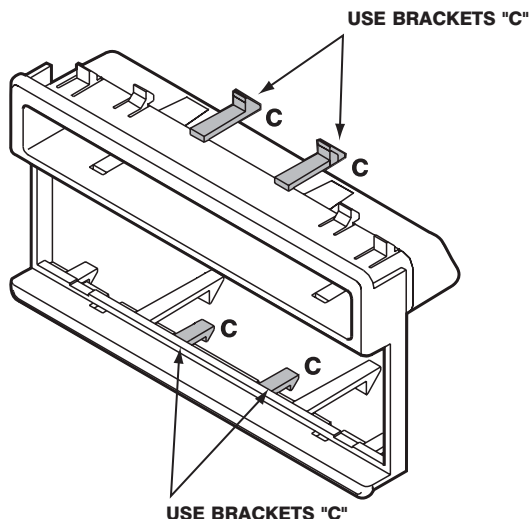
**1997-98 Ford F-Series Pickup**  
**1998 Ford Expedition**

**RADIO REMOVAL:**

- Carefully pry out on radio/dash bezel and unsnap to remove.  
**CAUTION: PASSENGER AIRBAG SWITCH DOES NOT UNPLUG ON PICKUP.**
- Insert DIN Removal Tools, spread the tools apart to release factory stereo, slip it out of the dash and remove radio.

**FD1327 KIT PREPARATION**

- Snap the short pocket to kit panel instead of the full CD pocket.
- When installing kit into dash, the pocket should be on top.



**USE THE SHADED BRACKETS. CUT OFF THE REMAINING BRACKETS AND DISCARD.**

**IN-DASH INSTALLATION KIT FOR  
 SELECT 1995-UP FORD VEHICLES**

**FORD**

|         |                            |
|---------|----------------------------|
| 1997-04 | CLUB WAGON                 |
| 1995-04 | CROWN VICTORIA             |
| 1997-04 | ECONOLINE                  |
| 2001-05 | ESCAPE                     |
| 2000-04 | EXCURSION                  |
| 1998-02 | EXPEDITION                 |
| 1995-01 | EXPLORER                   |
| 2001-03 | EXPLORER 2-DR SPORT        |
| 2001-03 | EXPLORER SPORT TRAC        |
| 1997-03 | F-SERIES PICKUP            |
| 2004    | F-SERIES PICKUP HERITAGE   |
| 1999-04 | F-SERIES SUPER DUTY PICKUP |
| 1995-03 | RANGER                     |
| 1999-03 | WINDSTAR                   |

**LINCOLN**

|         |             |
|---------|-------------|
| 2002-03 | BLACKWOOD   |
| 1995-97 | CONTINENTAL |
| 1995-98 | MARK VIII   |
| 1998-04 | NAVIGATOR   |
| 1995-04 | TOWN CAR    |

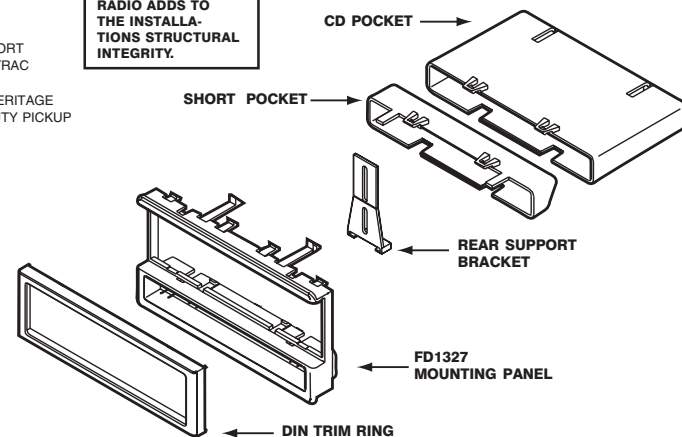
**MAZDA**

|         |                 |
|---------|-----------------|
| 1995-03 | B SERIES PICKUP |
|---------|-----------------|

**MERCURY**

|         |               |
|---------|---------------|
| 2001-03 | COUGAR        |
| 1995-03 | GRAND MARQUIS |
| 1996-01 | MOUNTAINEER   |

**CAUTION:**  
 REAR SUPPORT  
 AVAILABLE  
 SEPARATELY. REAR  
 SUPPORTING THE  
 RADIO ADDS TO  
 THE INSTALLA-  
 TIONS STRUCTURAL  
 INTEGRITY.



**INTRODUCTION**

This premium installation kit is for 1995-UP select Ford vehicles. Included are all the parts you need to mount your car stereo/cassette or CD player into your vehicle's dash. Refer to the individual instruction in this manual to remove your vehicle's factory radio and assemble the kit.

**CAUTION:**  
**DISCONNECT YOUR VEHICLE'S NEGATIVE BATTERY TERMINAL BEFORE THE INSTALLATION TO HELP PREVENT ELECTRICAL DAMAGE. WE RECOMMEND THE USE OF A VOLT/OHM METER OVER A TEST LIGHT TO CHECK WIRING. A TEST LIGHT OR GROUNDED WIRE PROBE CAN CAUSE DAMAGE TO THE VEHICLE'S COMPUTER AND/OR DIAGNOSTIC SYSTEMS. AVOID ALL FACTORY AIR BAG WIRING - AIR BAGS CAN ACCIDENTALLY DEPLOY CAUSING SERIOUS INJURY OR DEATH.**

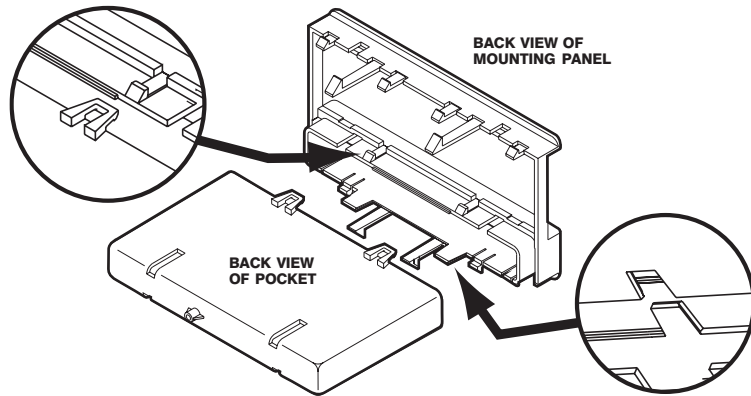
- NOTES:**
- See your vehicle's instructions for any special tools your installation might require.
  - Read all instructions accompanying your car stereo/cassette player for proper wiring and mounting instructions.

**LIABILITY DISCLAIMER**  
 This instruction booklet is based on carefully documented data and research of automobile dash disassembly, wire harness/codes and information pertaining to installation of this kit (FD1327) in Select 1995-UP Ford Vehicles. Scosche Industries, Inc. can not be held responsible for discrepancies/ inconsistencies that may occur due to the automobile manufacturing changes or options, or damage that may occur in the automobile during the installation of components while using this booklet.

## POCKET INSTALLATION

### POCKET INSTALLATION

1. Locate and align bottom guides and top snaps of the pocket to kit panel.
2. Slide pocket on bottom guides while the top snaps are aligned.
3. When aligned properly the top pocket snaps will lock to kit panel.



## KIT INSTALLATION

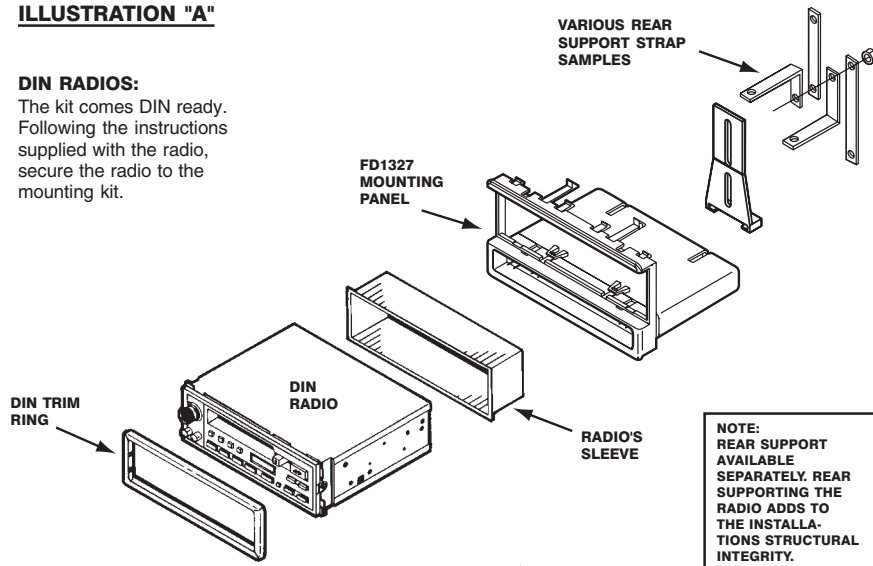
### STEREO INSTALLATION

1. See Illustration "A" for kit assembly with DIN or Illustration "C" for Shaft stereos.
2. Be sure to attach rear support bracket provided in the installation kit to the back as shown in Illustrations "A" and "C".
3. Connection the stereo to the factory wiring as directed in the stereo's owners manual. Scosche recommends the use of an FD02/FD16 connector set when connection to the factory wiring. The FD02/FD16 connector will plug into the wiring in the vehicle and eliminate the need to cut and splice into the factory wiring.

### ILLUSTRATION "A"

#### DIN RADIOS:

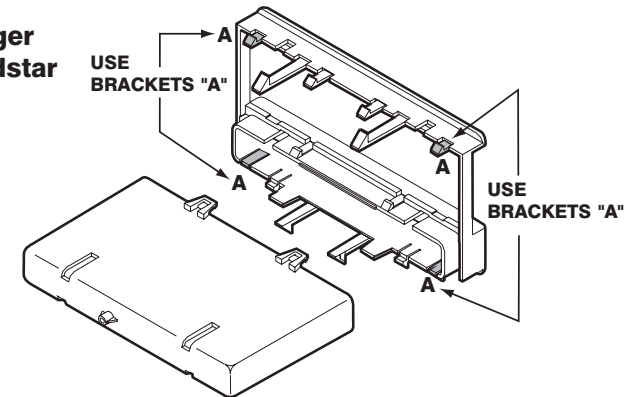
The kit comes DIN ready. Following the instructions supplied with the radio, secure the radio to the mounting kit.



|         |                                 |         |                       |
|---------|---------------------------------|---------|-----------------------|
| 1997-04 | Ford Club Wagon                 | 1995-97 | Lincoln Continental   |
| 1995-04 | Ford Crown Victoria             | 1995-98 | Lincoln Mark VIII     |
| 1997-04 | Ford Econoline                  | 1995-04 | Lincoln Town Car      |
| 2001-05 | Ford Escape                     | 1995-03 | Mazda B-Series Pickup |
| 2000-04 | Ford Excursion                  | 2001-03 | Mercury Cougar        |
| 1995-01 | Ford Explorer 2/4 DR            | 1995-03 | Mercury Grand Marquis |
| 2001-03 | Ford Explorer 2 DR Sport        | 1996-01 | Mercury Mountaineer   |
| 2001-03 | Ford Explorer Sport Trac        |         |                       |
| 1999-03 | Ford F-Series Super Duty Pickup |         |                       |
| 1995-03 | Ford Ranger                     |         |                       |
| 1999-03 | Ford Windstar                   |         |                       |

### RADIO REMOVAL:

1. Insert DIN Removal Tools, spread the tools apart to release factory stereo, slip it out of the dash, unplug and remove radio.

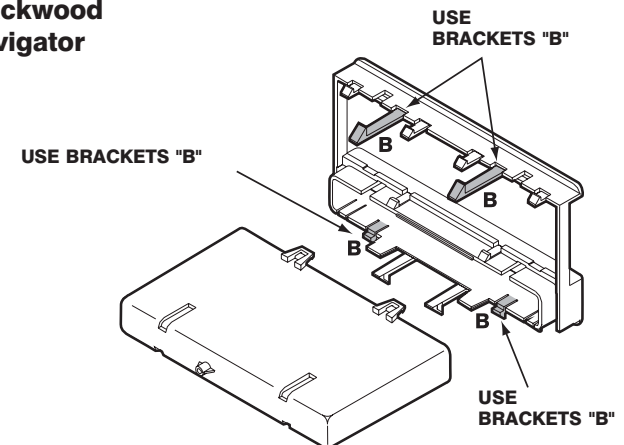


USE THE SHADED BRACKETS. CUT OFF THE REMAINING BRACKETS AND DISCARD.

|         |                               |
|---------|-------------------------------|
| 1999-03 | Ford Expedition               |
| 1999-03 | Ford F-Series Pickup          |
| 2004    | Ford F-Series Pickup Heritage |
| 2002-03 | Lincoln Blackwood             |
| 1998-04 | Lincoln Navigator             |

### RADIO REMOVAL:

1. Carefully pry out on radio/dash bezel and unsnap to remove.  
**CAUTION: PASSENGER AIRBAG SWITCH DOES NOT UNPLUG ON PICKUP.**
2. Insert DIN Removal Tools, spread the tools apart to release factory stereo, slip it out of the dash and remove radio.



USE THE SHADED BRACKETS. CUT OFF THE REMAINING BRACKETS AND DISCARD.