



NEW  
**SV66**

FEATURING



19", 20", 21", 22", 24", 26", 28"

BRUSHED BRONZE

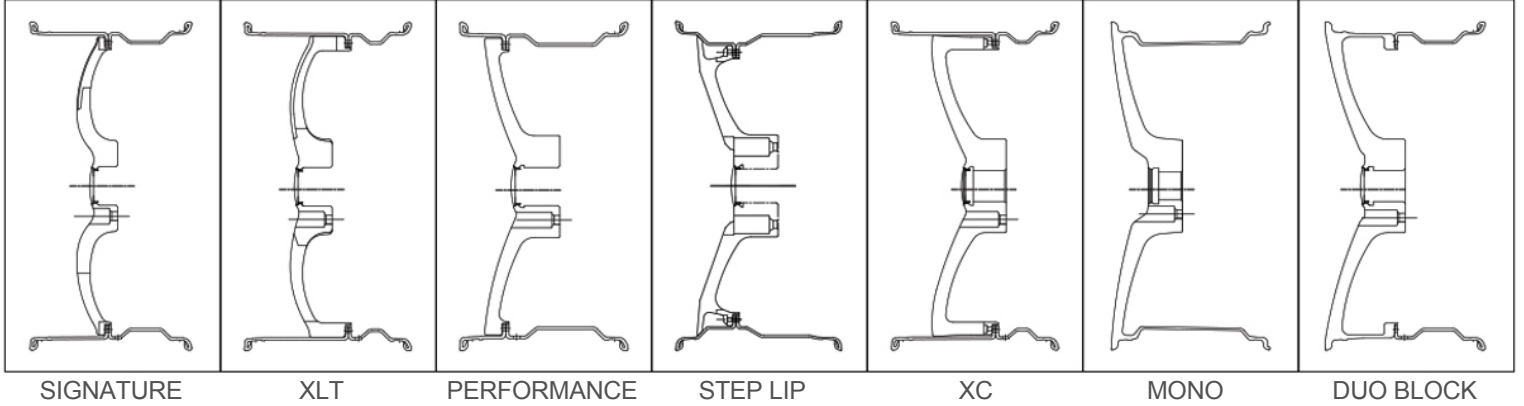
#### FEATURES:

- |   |                                     |  |
|---|-------------------------------------|--|
| <b>1</b> CUSTOM BOLT PATTERN              | <b>4</b> PROPRIETARY SEALANT        | <b>7</b> T6061 AIRCRAFT GRADE ALUMINUM CONSTRUCTION                  |
| <b>2</b> WINDOW DETAIL                    | <b>5</b> DEEP CONCAVE PROFILE       | <b>8</b> EACH MODEL AVAILABLE IN ALL SIZES   <b>7 CONFIGURATIONS</b> |
| <b>3</b> BLIND BOLT / THROUGH BOLT OPTION | <b>6</b> CUSTOM CRAFTED PER VEHICLE | <b>9</b> CUSTOM COLORS AND FINISHES                                  |

## NOW AVAILABLE FORGED SV66 & SV67 | SAVINI WHEELS

In the market for new wheels or know someone who is? If so, make sure you check out two of our newest forged wheel styles - the **SV66** and **SV67**! Both styles were unveiled at last year's SEMA Show and are just what your ride needs to amplify its exterior good looks. They both offer a unique look to your ride and will enhance it's stance thanks to a number of finishes - custom and standard - in addition to various fitments and configurations, including the all-new step lip concave. Each configuration offers your vechile a differnt look and ride - with all the style that comes when you floss a Savini wheel like our SV66 or SV67. Just feast your eyes on the red hot **Ferrari 458** by Car Ninja sporting a Misha Designs body kit and a set of SV67-L step lip concave Savini Wheels. Let us know which ride you'd throw a set of either style on in the comments below!


## CONFIGURATIONS:




**XC** BRUSHED W / HIGH POLISH



**DUO BLOCK** BRUSHED ROSE GOLD



**STEP-LIP** MATTE BLACK W / GLOSS BLACK BRUSHED DOUBLE DARK TINT LIP



ALUMINUM CENTER CAP



WINDOW DETAIL



STEP-LIP CONFIGURATION

**SV 66 CUSTOM FINISHES**



BRUSHED ROSE GOLD



BRUSHED HIGH POLISH W/ MATTE CLEAR



BRUSHED RED



GLOSS BLACK W/ BRUSHED DOUBLE DARK TINT



BRUSHED BRONZE

TRUE DIRECTIONAL.



NEW  
**SV67**

FEATURING  
STEP-LIP  
20", 21", 22"

BRUSHED BLUE

- 1 CUSTOM BOLT PATTERN
- 2 WINDOW DETAIL
- 3 BLIND BOLT / THROUGH BOLT OPTION
- 4 PROPRIETARY SEALANT
- 5 DEEP CONCAVE PROFILE
- 6 CUSTOM CRAFTED PER VEHICLE
- 7 T6061 AIRCRAFT GRADE ALUMINUM CONSTRUCTION
- 8 EACH MODEL AVAILABLE IN ALL SIZES | 7 CONFIGURATIONS
- 9 CUSTOM COLORS AND FINISHES



**X.Z.Z.** BLACK W/ GREEN ACCENTS

**DUOBLOCK** BRUSHED RED

**XC** BRUSHED DOUBLE DARK TINT W/ BRUSHED BRONZE



WINDOW DETAIL

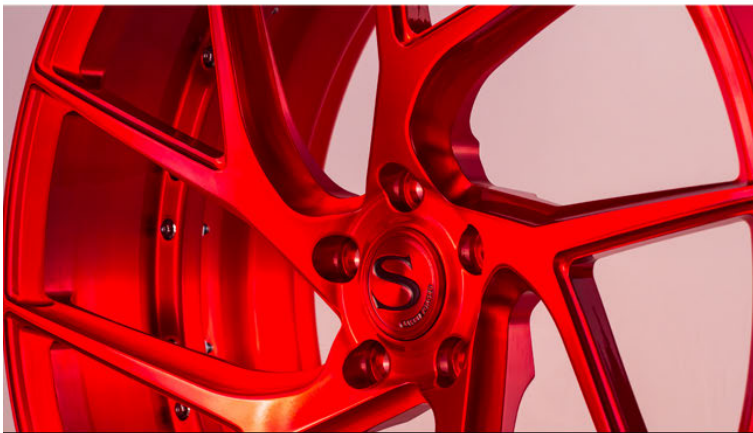


BACK PAD WEIGHT REDUCTION



STEP-LIP UNDER CUT

## SV 67 CUSTOM FINISHES



BRUSHED RED



BRUSHED BLUE



BRUSHED DOUBLE DARK TINT WITH BRUSHED BRONZE



GLOSS BLACK W/ GREEN ACCENTS