

TRUE DIRECTIONAL.

NEW
SV64

FEATURING
SL
STEP-LIP
20", 21", 22"



BRUSHED / MATTE GOLD
MATTE BLACK INNER & OUTER

FEATURES:

- 1** CUSTOM BOLT PATTERN
- 2** WINDOW DETAIL
- 3** BLIND BOLT / THROUGH BOLT OPTION

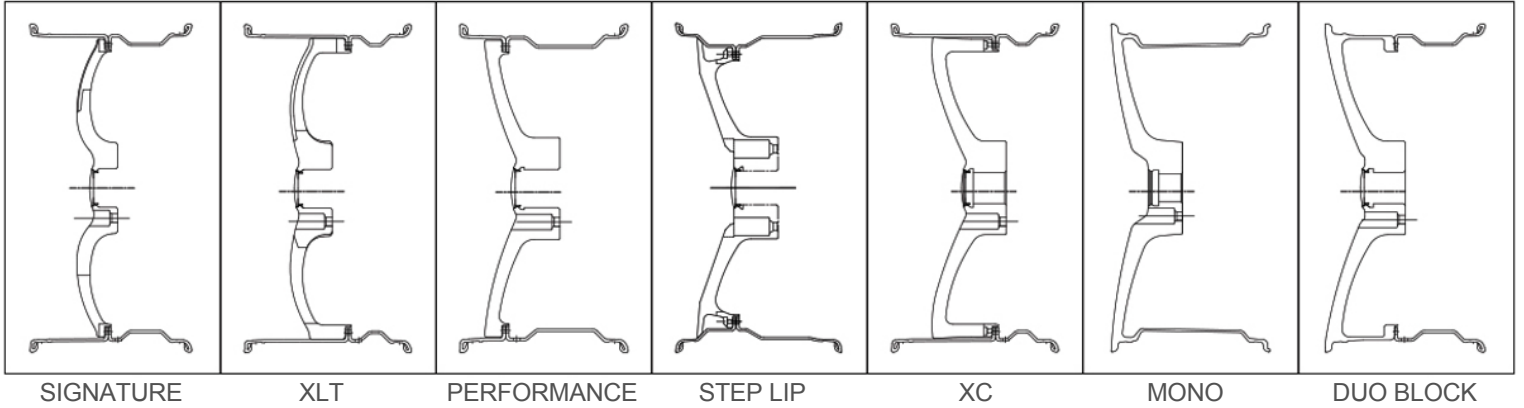
- 4** PROPRIETARY SEALANT
- 5** DEEP CONCAVE PROFILE
- 6** CUSTOM CRAFTED PER VEHICLE

- 7** T6061 AIRCRAFT GRADE ALUMINUM CONSTRUCTION
- 8** EACH MODEL AVAILABLE IN ALL SIZES | **7 CONFIGURATIONS**
- 9** CUSTOM COLORS AND FINISHES

NOW AVAILABLE FORGED SV64 | SAVINI WHEELS

We unveiled a few new wheel styles at last year's SEMA Show, including our **Forged SV64**! The multi-spoke design is available in (7) configurations, including our all-new **step lip** option that features a center disk that's actually 1" smaller in diameter, which reduces weight, improves return on inertia and reduces sprung mass. We offer both standard and custom finishes for all our Forged wheels, allowing you to choose the color that best fits your ride and style. Butler Tires & Wheels laced Atlanta Hawks' Dennis Schroder's gold Audi R8 with a set of our SV64 wheels in a gold finish, creating a truly unique ride that breaks necks!

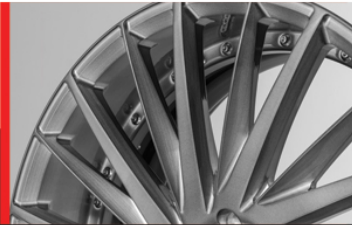
CONFIGURATIONS:



DUO BLOCK 24K GOLD PLATE

X.L.Z. BRUSHED HIGH POLISH

XC MATTE BLACK W/ ORANGE ACCENTS
GLOSS BLACK LIP W/ ORANGE PINSTRIPE



DUO BLOCK CONFIGURATION



WINDOW DETAIL



XTREME CONCAVE

SV64 CUSTOM FINISHES



MATTE BLACK W/ ORANGE ACCENTS



BRUSHED DDT (DOUBLE DARK TINT)



GLOSS BLACK W/ WHITE ACCENTS



24K GOLD



BRUSHED GOLD