



SARIS

Freedom - 2 Bike

4412B

TELL US WHAT YOU THINK



REGISTER YOUR PRODUCT FOR UPDATES



LONG FOR THE RIDE

Just as no garage is complete without a bicycle, at Saris, we believe no car is complete without a bike rack.

Since setting off on this journey nearly 30 years ago, Saris racks have freed millions of bike-lovers to explore new territory and terrain, take part in group rides, bike pool to races, and commute to and from work.

And we continue to do so in style.

As the all-time #1 best-selling bike rack, Saris Bones® continues to set the standard for excellence in design. Today all Saris bicycle racks are intuitive to load and secure, and guaranteed for life.

Built by cyclists for cyclists in Madison, Wisconsin, we strive to create the world's best bike racks.

Because cycling is what we live for.

MADE IN WISCONSIN



Specifications: 4412B - Freedom 2 Bike



For use with receiver hitches Class II or higher.

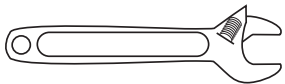


Max = 60 lbs/kg 27



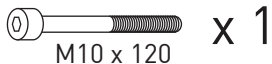
Max = 120 lbs/54kg

Tools Needed:

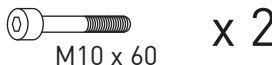


Adjustable or 19mm and 17mm

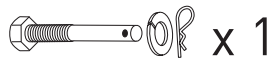
Items Included:



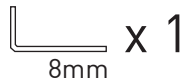
M10 x 120



M10 x 60



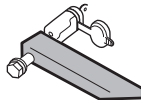
M10



8mm

Optional Accessories:

#3022 Locking Hitch Tite



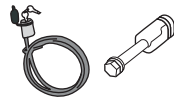
#981 Locking Cable



#4419 Fat Wheel Trays

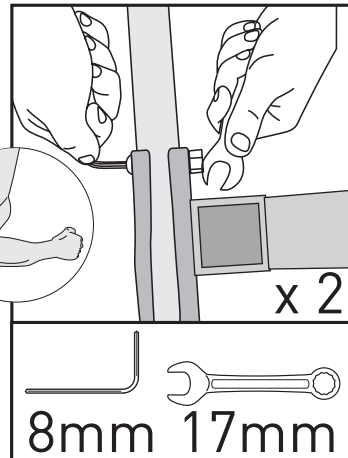
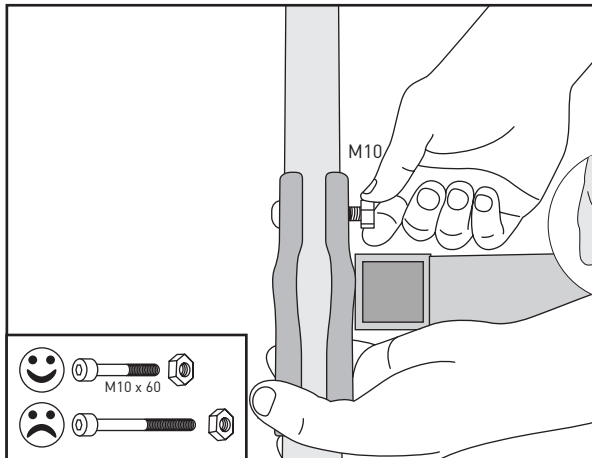
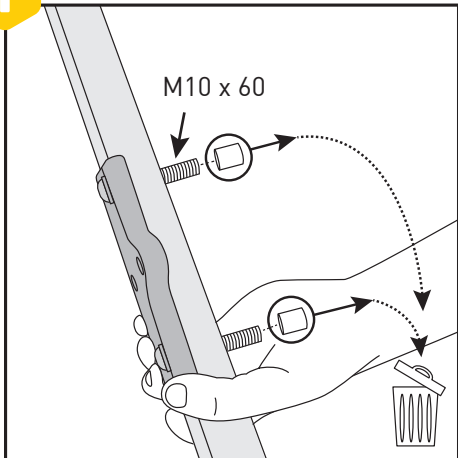


#984 Locking Cable & Hitch Combo

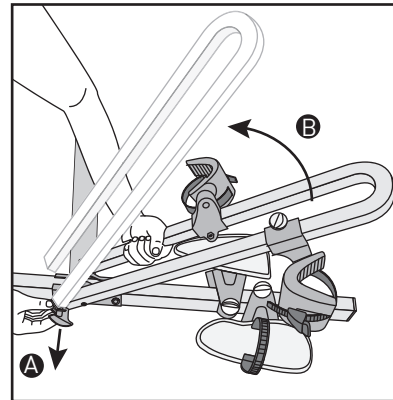
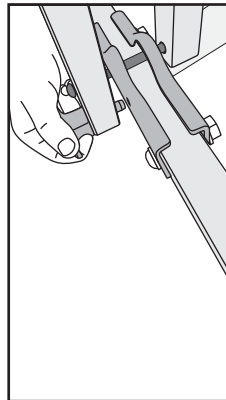
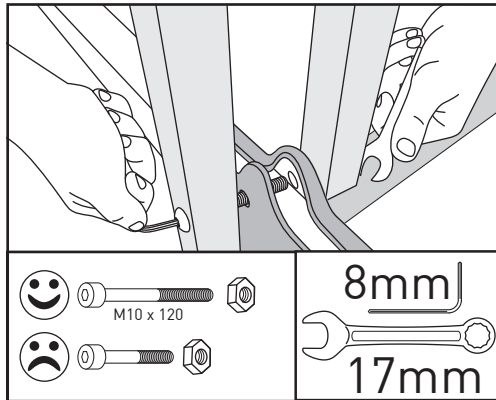
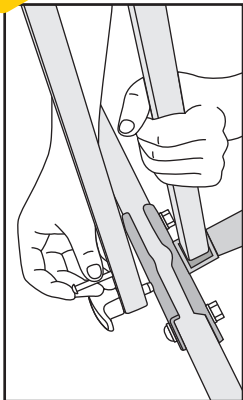


INSTALL RACK

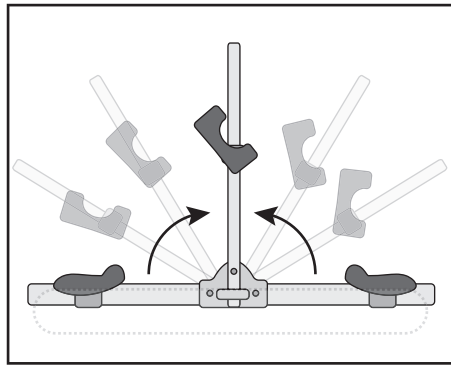
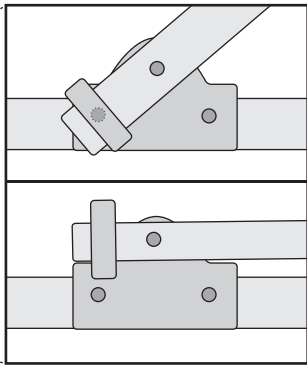
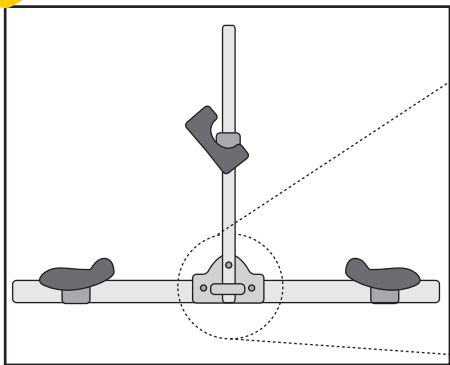
1



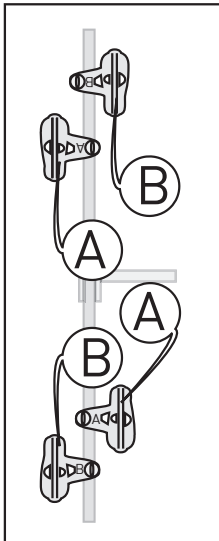
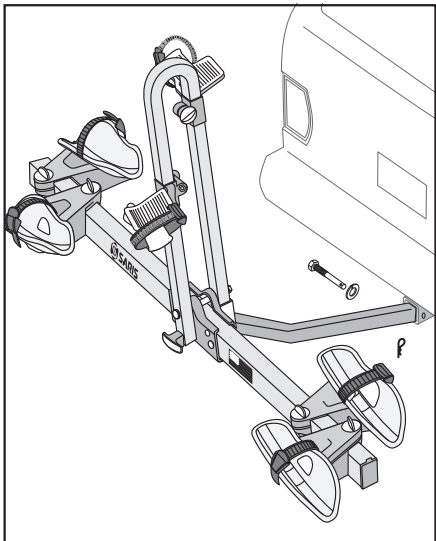
2



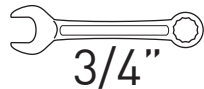
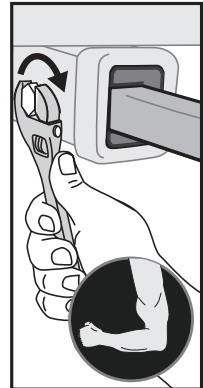
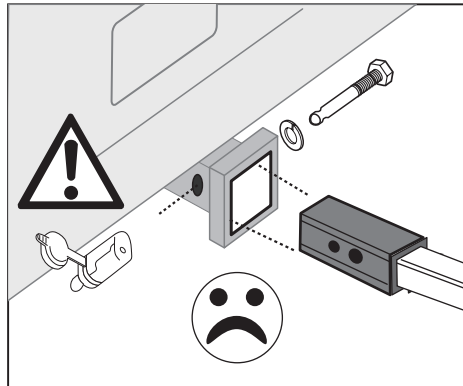
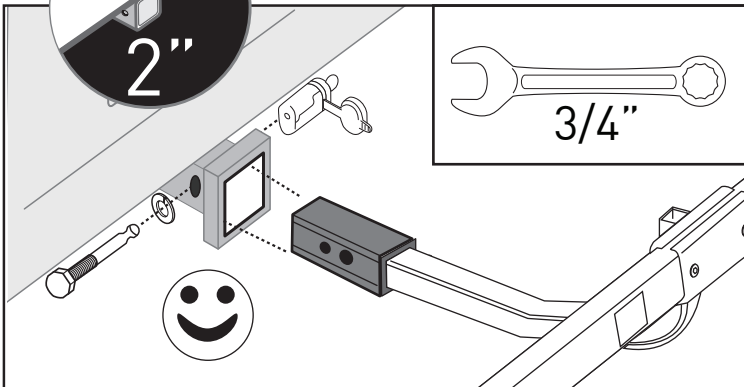
3



4

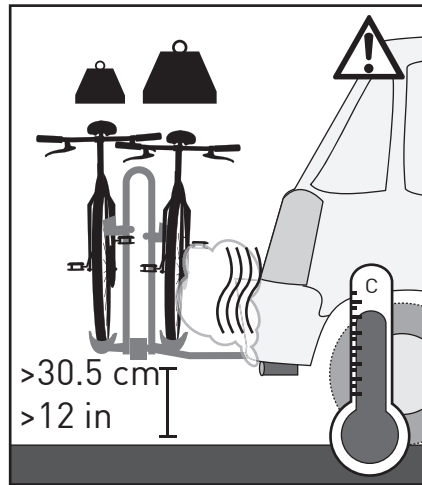
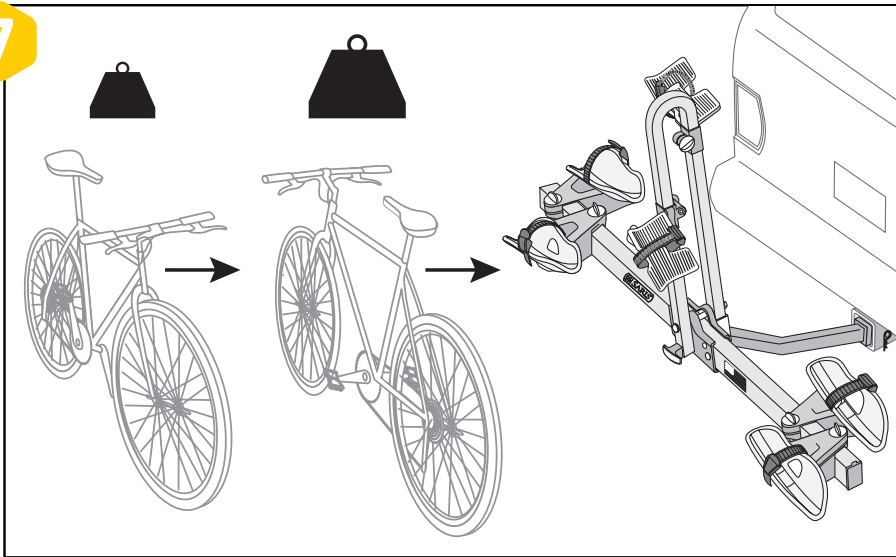


5

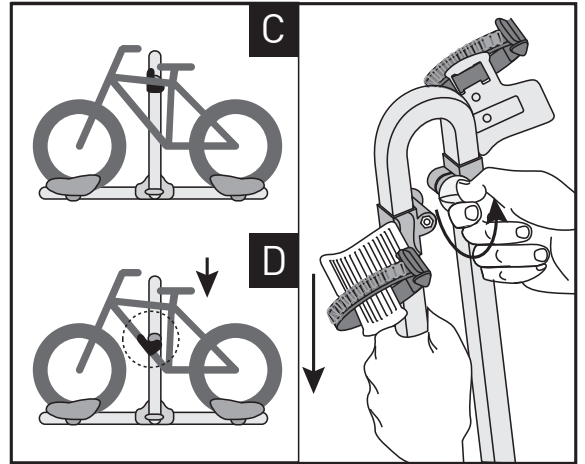
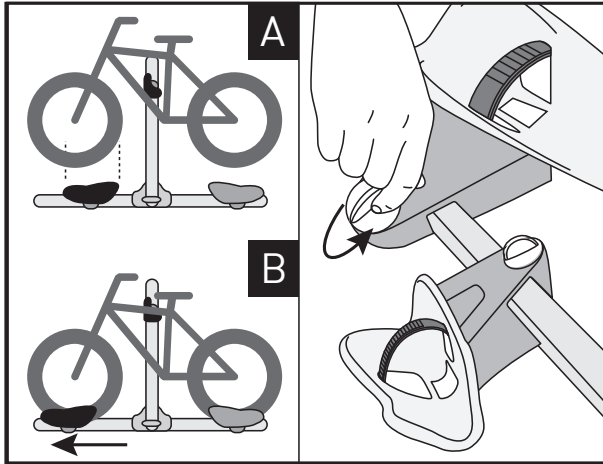


LOAD BIKES

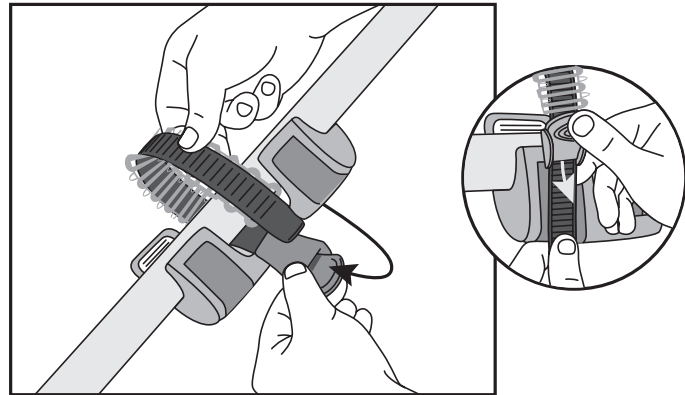
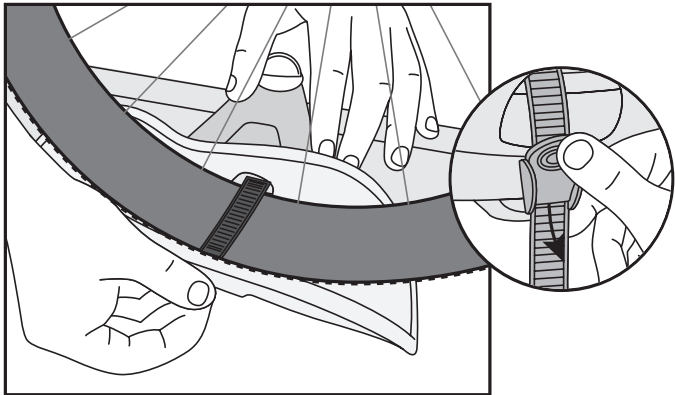
7



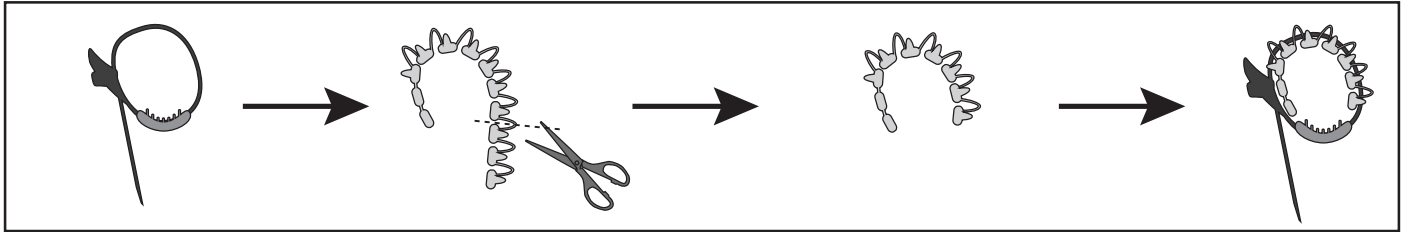
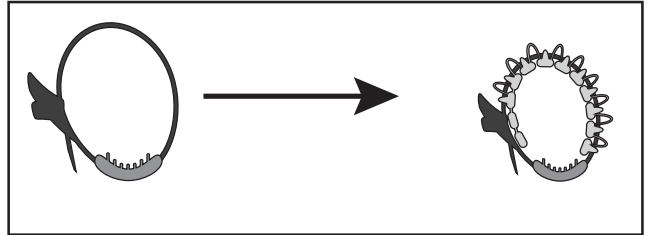
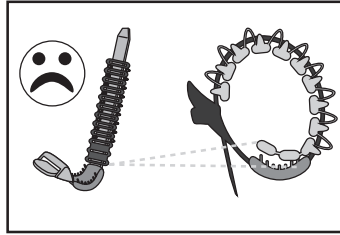
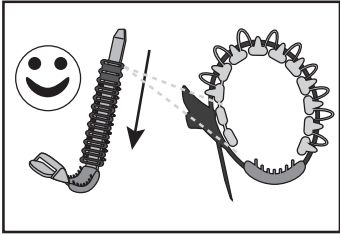
8



9



10



EN Technical Specifications

Bike carrier weight: 21lb/ 10kg

Permitted load capacity: 120lb/ 54.4kg

Max bike weight: 60 lb/27.2 kg

CAUTIONS:

- All requirements for compatibility/fit as stated in the current Saris vehicle/carrier compatibility guide must be followed. (Available at any Saris dealer). If your vehicle is not listed or you have any questions, please call our customer service.
- Read and follow instructions carefully. Save owner's manual for future reference or parts information. Ensure that any other users of the bicycle carrier are familiar with their content.
- Drive slowly over speed bumps, 5 to 10 mph max speed.
- It's the end users responsibility to ensure that use of this product meets all local and state laws.
- When cleaning vehicle and rack, use only water soluble cleaners. Do not take rack through car wash.
- Make sure bike tires are not directly behind exhaust pipe.
- Rack must be installed directly into vehicle hitch receiver. Do not modify the hitch receiver or use hitch extenders.
- Do not mount to any type of trailer or RV including Class B vehicles.
- Prior to usage on the road, remove all loose parts from bicycle, including (but not limited to) child seat, basket, lock, light, pump, etc.
- This carrier is not recommended for off-road use or for use at speed exceeding 70 mph (113 km/h).
- The handling characteristics of a vehicle will change when a rear bicycles carrier is fitted and especially when it is loaded (in particular crosswind sensitivity, handling on bends and braking). Driving techniques should be altered to allow for these changes, reduce speed, especially on bends and allowing for longer braking distances.
- The vehicle's total length increases when the bike carrier is attached. The bikes themselves may increase the vehicle's total width and height. Take care when reversing and/or entering garages or ferries, etc.
- Remove carrier from vehicle when not in use.
- This carrier is constructed to carry standard-bike-frames. It is not intended for use with tandem or recumbent bicycles.
- Replace any mounting strap at the first sign of wear. Replacement parts are available through your local Saris dealer.

- Tighten straps regularly during the journey.
- Vehicle should be in good condition in the area at which the hitch is located.
- Do not exceed maximum load capacity of carrier (120 lbs max or 60 lbs max per bike!) Secure properly and adjust for even load distribution, loading the heaviest/biggest bike first and closest to the vehicle.
- Saris absolves itself of responsibility for any personal injuries or consequential damage to property or wealth caused by incorrect fitting or use.

Warning and Disclaimer:

This carrier has been designed to carry bicycles on specific vehicles. Before installation, user must read and follow current Saris Fit Guide (available through Saris dealer) recommendations and enclosed instructions. Fit recommendations are based on vehicle's standard features; optional features may affect the fit recommendations. User must attach carrier correctly to the vehicle, check its attachment before each use, and inspect carrier parts for wear. Carrier's attachment to the vehicle is critical and beyond the control of the manufacturer. Manufacturer and seller expressly disclaim any and all liability for personal injury, property damage or loss, whether direct, indirect, or incidental, resulting from the incorrect attachment, improper use, inadequate maintenance, or neglect of this carrier.