



1997 – Up Jeep ® Wrangler
Adjustable Aluminum Tailgate Stop
Installation Instructions

Part number: 11238.11

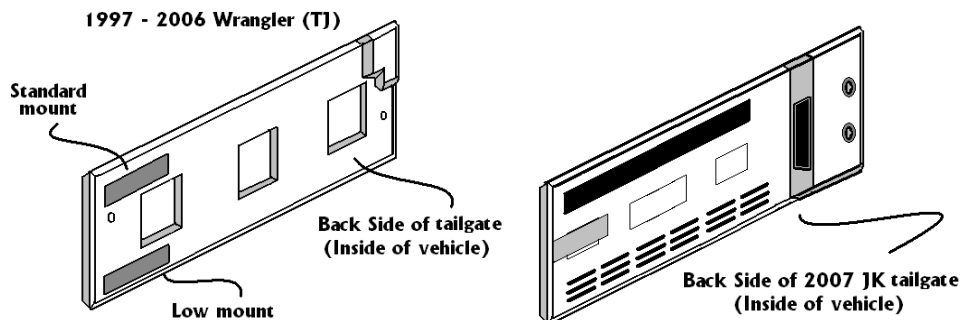
Parts List:

- (1) Tailgate stop**
- (4) Rubber lock nuts**
- (4) Allen head lock bolts**

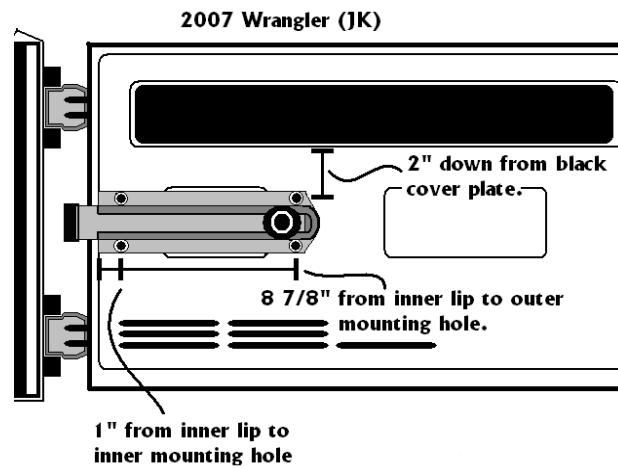
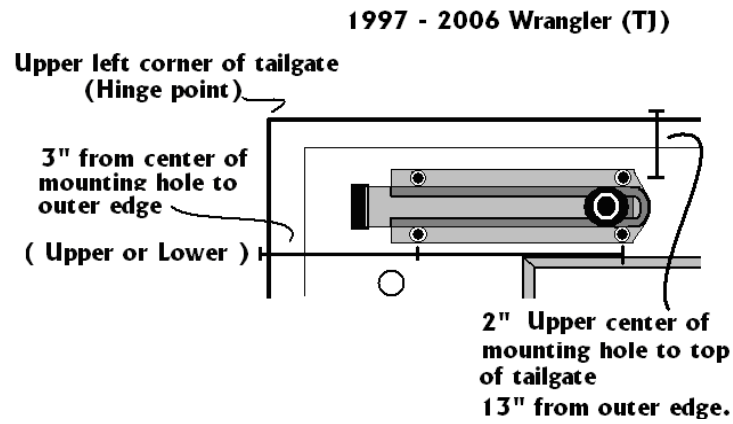


“STOP”: **Carefully read instruction sheet before installing.**

1. Before installing the **Tailgate-Stop** place in the location shown below to make sure the part does not interfere with any other stock or aftermarket item on your vehicle. This item **WILL NOT WORK** on 2007 and newer Jeep Wrangler’s equipped with the factory sub woofer. If you do find a conflict, the tailgate stop can be located at the alternative position at the lower corner of the tailgate on the 97-06 Wrangler TJ.



2. Locate the assembly on the rear gate using the diagrams provided for your year application. All measurement points are from the inner edges of the tailgate. It is important to make sure placement is correct or there could be interference with support ribbing inside of the tailgate.



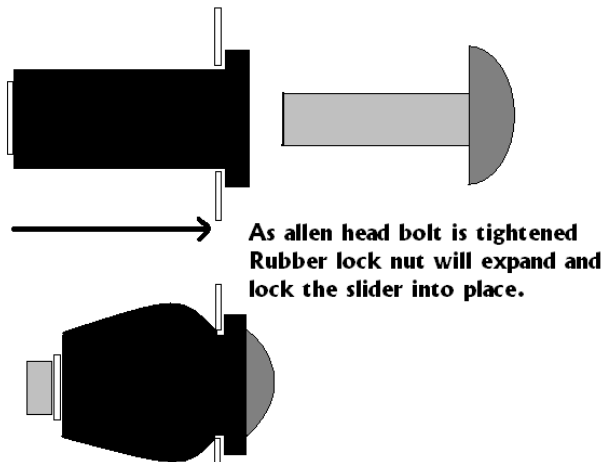
3. Mark the (4) mounting holes using the base plate as a template, and drill out with a small pilot drill bit, then enlarge using a 1/2" drill bit.



4. Loosely preassemble the rubber lock nuts to slider base with supplied bolts. Make sure that the lip of the rubber lock nut is positioned outward towards the base of the slider. With rubber lock nuts in place position the slider over the predrilled mounting holes and push rubber lock nuts into holes.



NOTE: the rubber lock nuts are designed to compress as they are tightened. This will lock the slider into place.



5. Tighten rubber lock bolts evenly to secure the Tailgate Stop to rear gate.

Always try to use this product at a 90 degree open position. This allows for the proper positioning of the lock rod to be tightened under the slider rack at the notched location.

