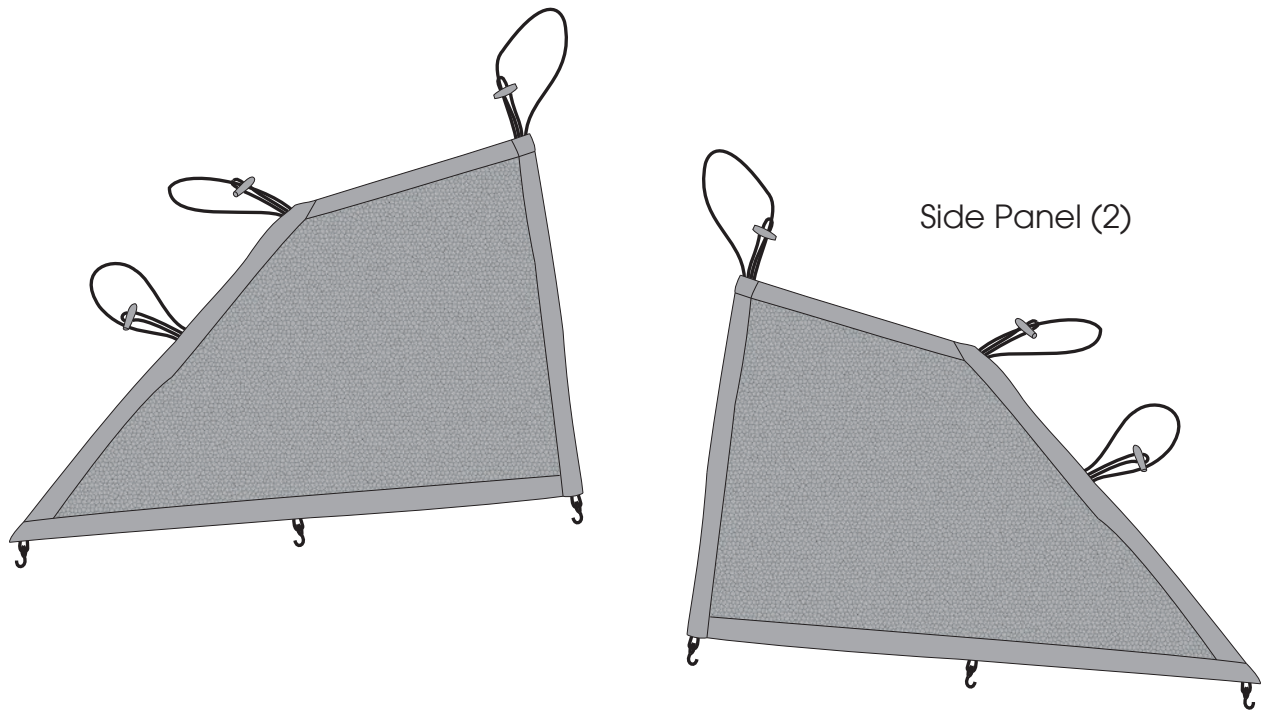
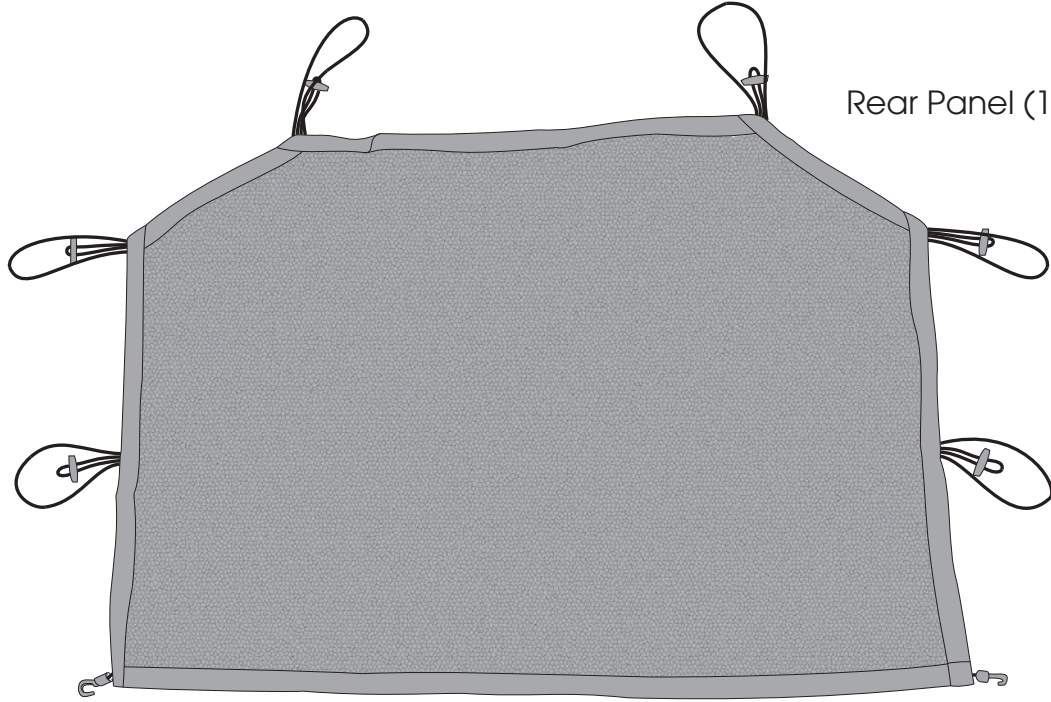
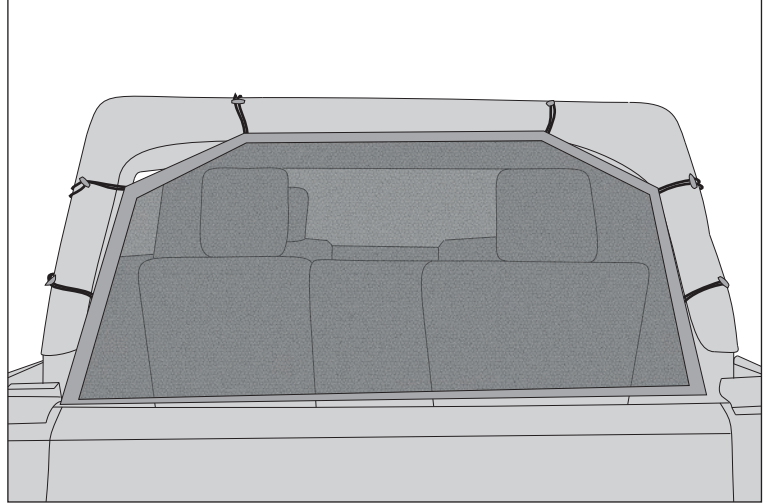


### 4-Door JK Eclipse Screen

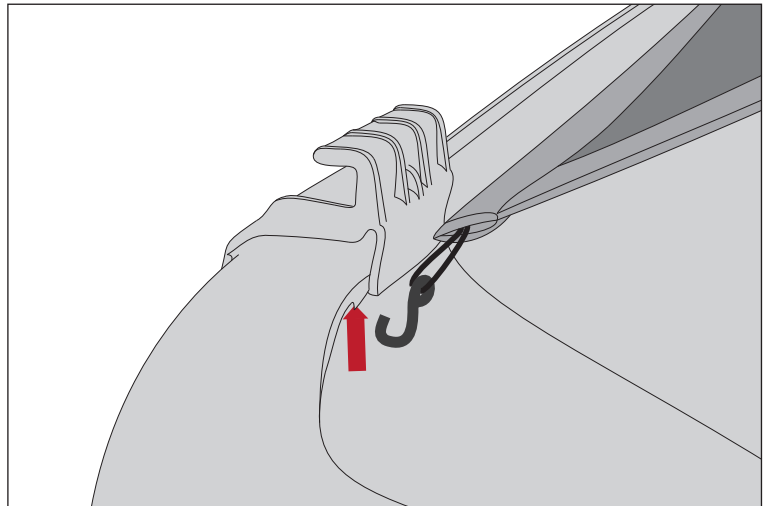


To Install Rear Panel:

1. Loop top bungees around top roll bar and secure.
2. Loop side bungees around side roll bar and secure.

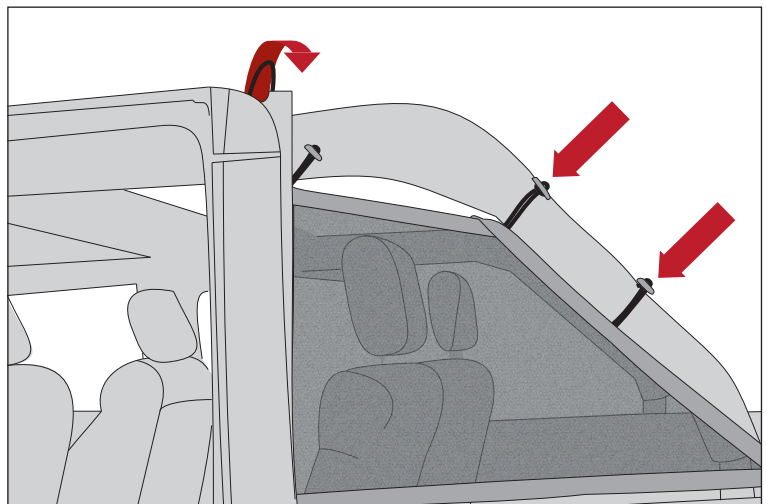


3. Hook bottom bungees to lip of tailgate as shown on right. Repeat for second side.

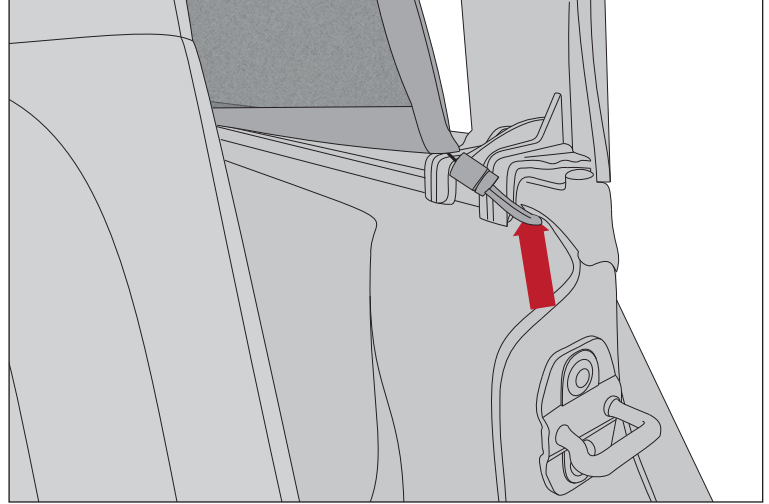


To Install Side Panels:

1. Loop top bungee around top roll bar and secure.
2. Loop side bungees around side roll bar and secure.



3. Hook front bottom hook to lip of door surround.



4. Hook two bottom bungees to openings in tub rail as shown on right. Repeat for second side.

