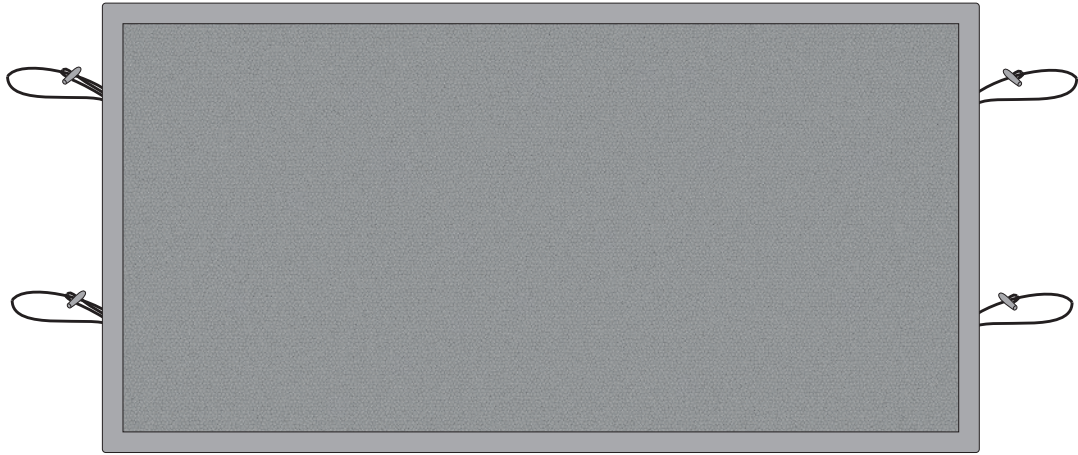
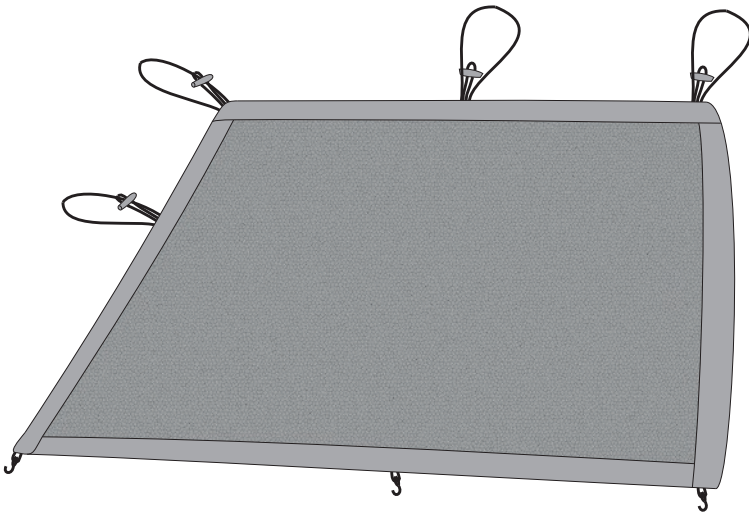


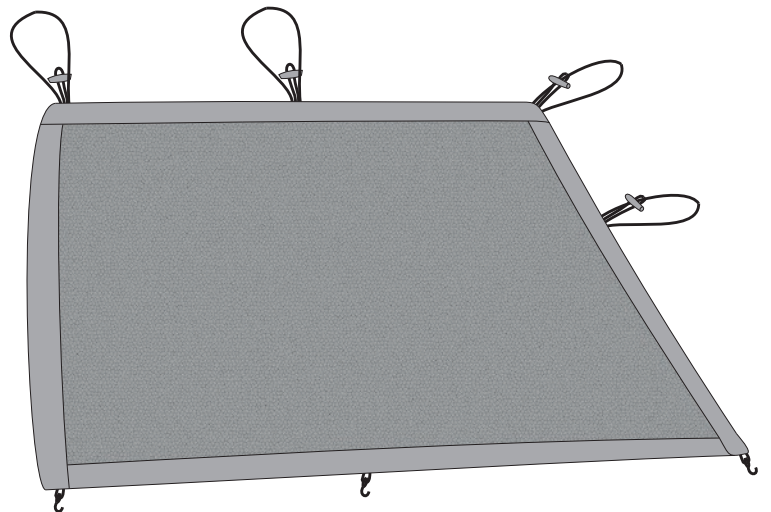
2-DR JK Eclipse Screen



Rear Panel (1)

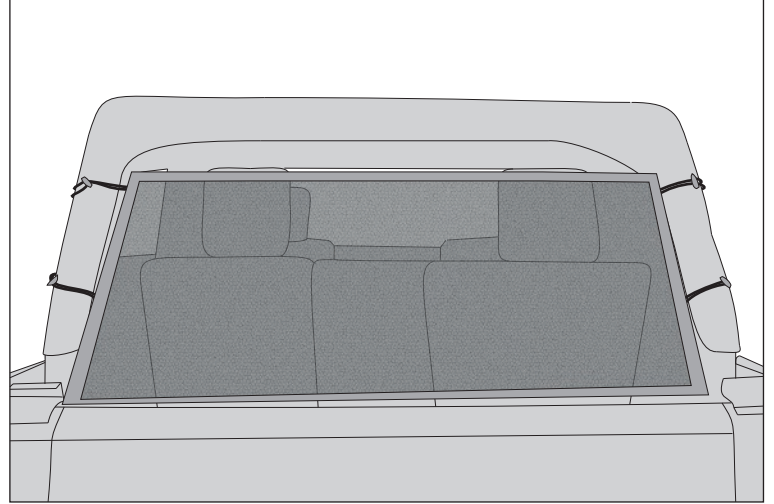


Side Panel (2)

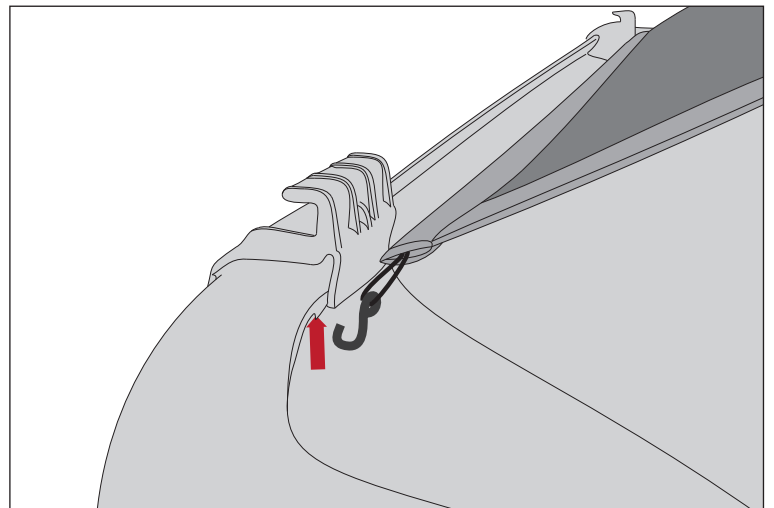


To install Rear Panel:

1. Loop bungees around side roll bar and secure.

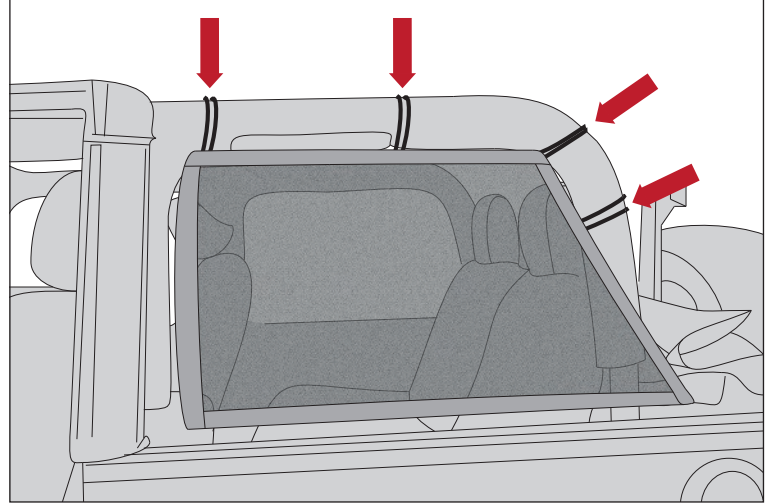


2. Hook bottom bungees to lip of tailgate as shown on right.



To Install Side Panels (begin with soft top lowered):

1. Loop top bungee around top roll bar and secure.
2. Loop side bungees around side roll bar and secure



3. Hook bottom bungees to openings in tub rails as shown on right.

