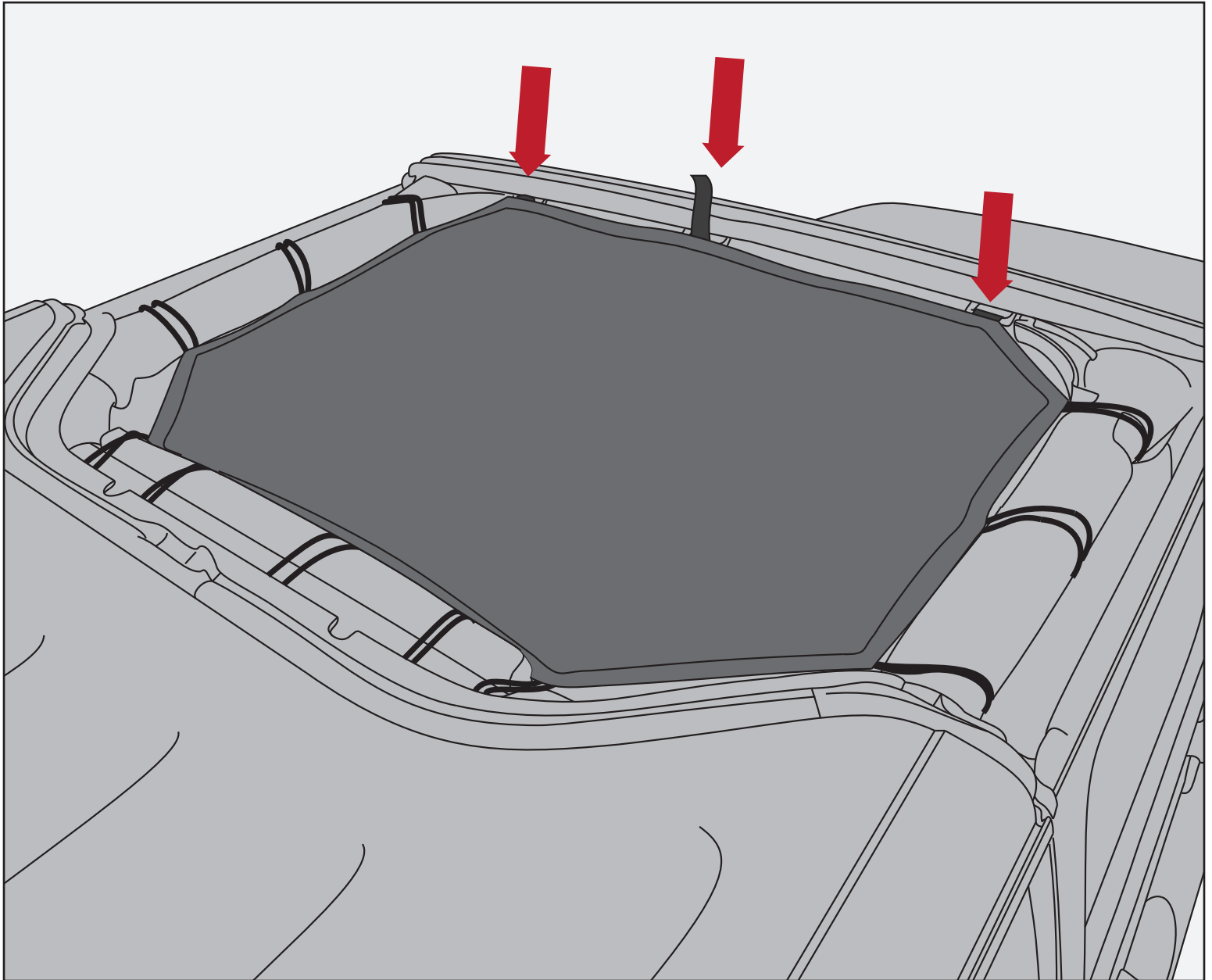


Total Eclipse Shade



Installation Instructions:

1. Secure Total Eclipse Shade using toggles and bungees around side sport bars and sound bar.
2. Loop (3) hook and loop straps around footman loops at top of windshield.
3. Adjust bungee position as necessary to center Total Eclipse Shade.