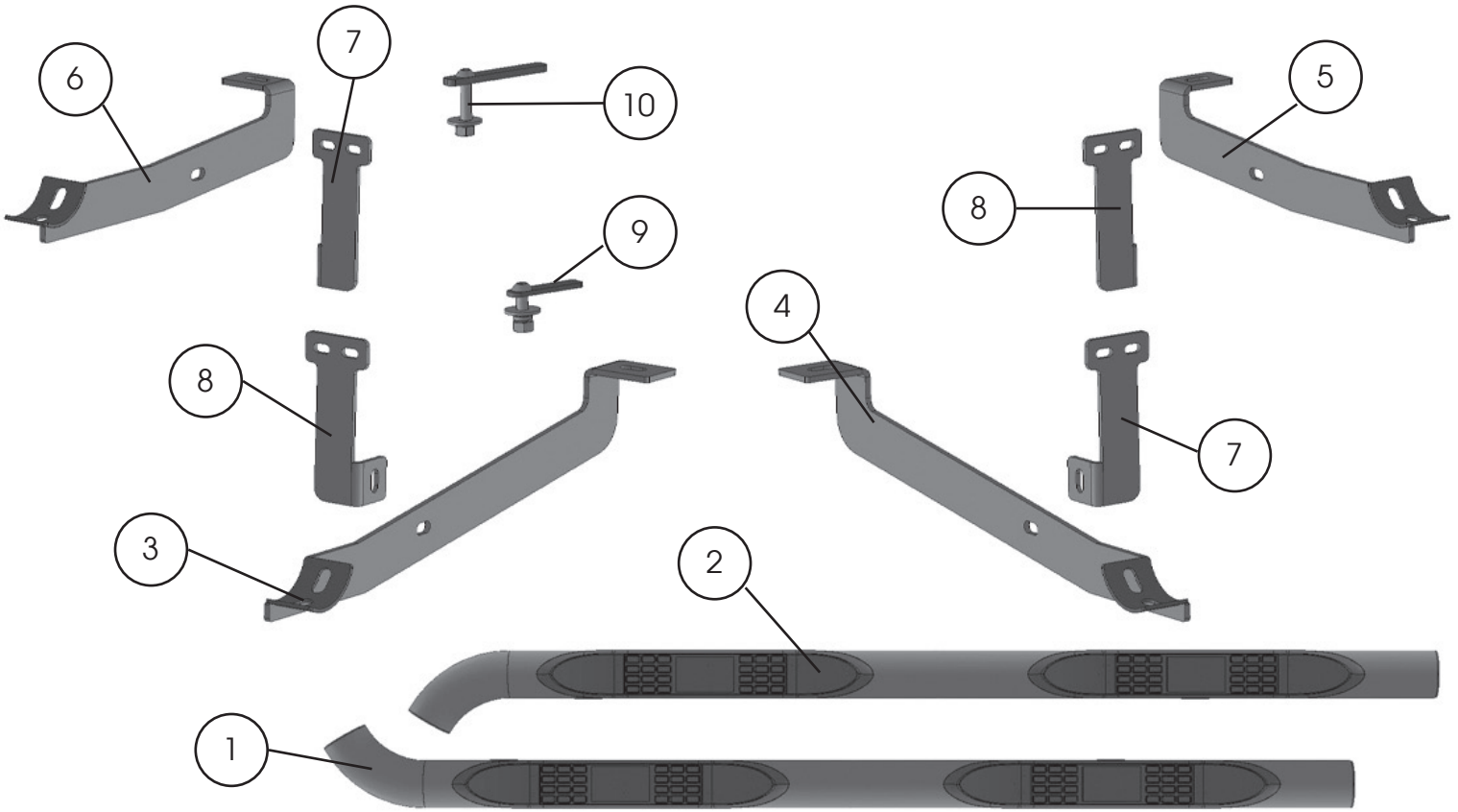




# Renegade 3" Sidebar



## Components

- |   |     |                          |      |
|---|-----|--------------------------|------|
| 1. Driver/Left Sidebar                    | (1) | 12. M10 Lock Washers     | (4)  |
| 2. Passenger/Right Sidebar                | (1) | 13. M10 Hex Nuts         | (4)  |
| 3. Driver/Left Front Mounting Bracket     | (1) | 14. M8 Combination Bolts | (8)  |
| 4. Passenger/Right Front Mounting Bracket | (1) | 15. M8 Hex Bolts         | (4)  |
| 5. Driver/Left Rear Mounting Bracket      | (1) | 16. M8 Flat Washers      | (8)  |
| 6. Passenger/Right Rear Mounting Bracket  | (1) | 17. M8 Lock Washers      | (4)  |
| 7.L Front/R Rear Support Bracket          | (2) | 18. M8 Hex Nuts          | (4)  |
| 8. R Front/L Rear Support Bracket         | (2) | 19. M6 Hex Bolts         | (8)  |
| 9. M10 Long Bolt Plates                   | (2) | 20. M6 Flat Washers      | (16) |
| 10. M10 Bolt Plates                       | (2) | 21. M6 Lock Washers      | (8)  |
| 11. M10 Flat Washers                      | (4) | 22. M6 Hex Nuts          | (8)  |

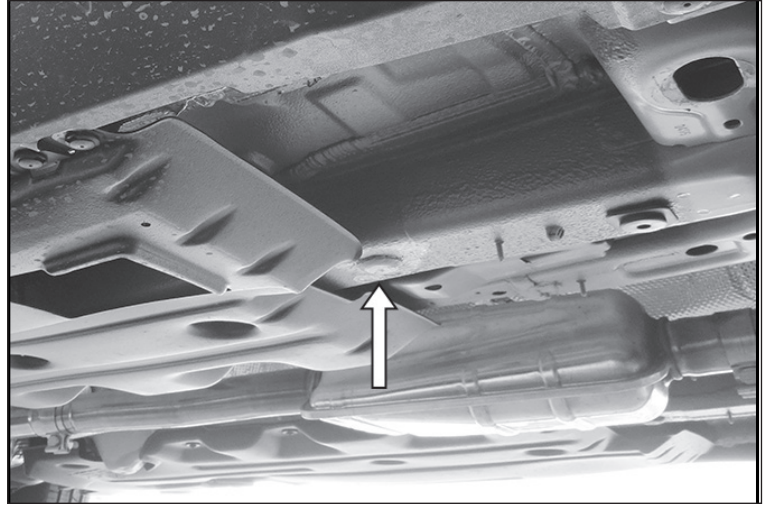


## Renegade 3" Sidebar

**NOTICE** Remove contents from box. Verify all parts are present. Read instructions carefully before starting installation. Drilling is required. Cutting is required. Assistance is recommended.

1. Starting on passenger/right side of vehicle, locate factory rubber plug in bottom of frame channel.

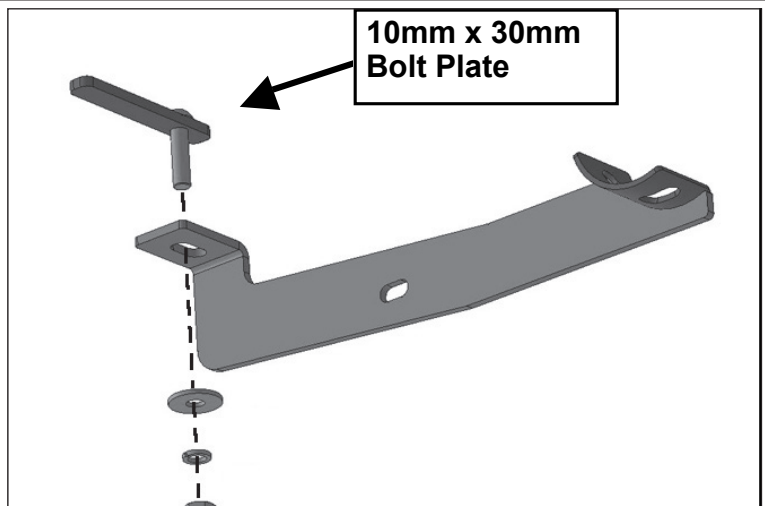
**NOTICE** Front mounting location is at front of plastic cover. Mounting locations may be covered with heavy undercoating, remove coating as necessary.



2. Remove long plastic cover from bottom of floor panel. Pay close attention to location and type of factory fasteners for installation.

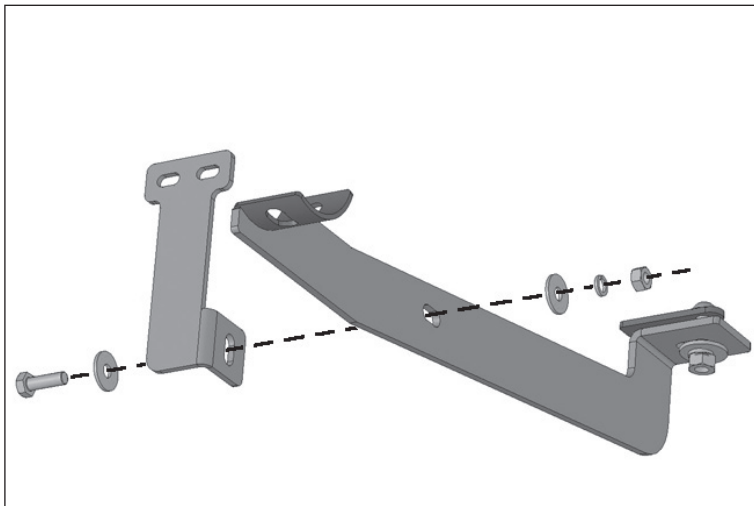


3. Select M10 Bolt Plate. Insert Bolt Plate into hole in frame channel.

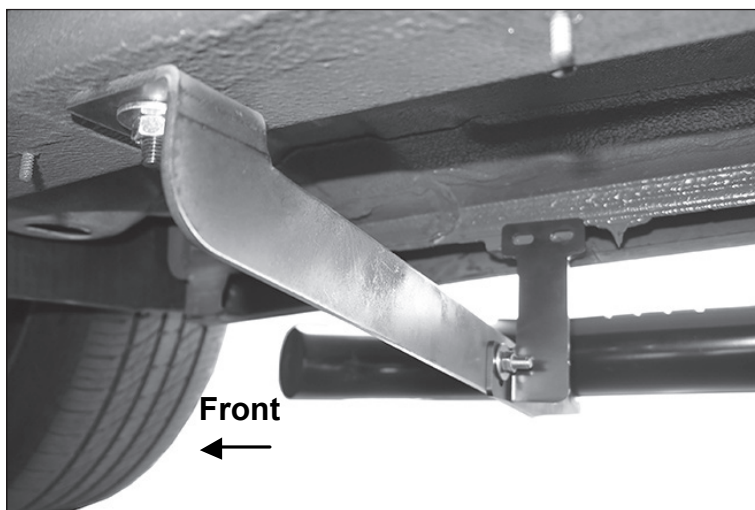


## Renegade 3" Sidebar

4. Select long Passenger/Right Front Bracket. Attach Bracket to M10 Bolt Plate using M10 Flat Washer, M10 Lock Washer, and M10 Hex Nut. Do not tighten.

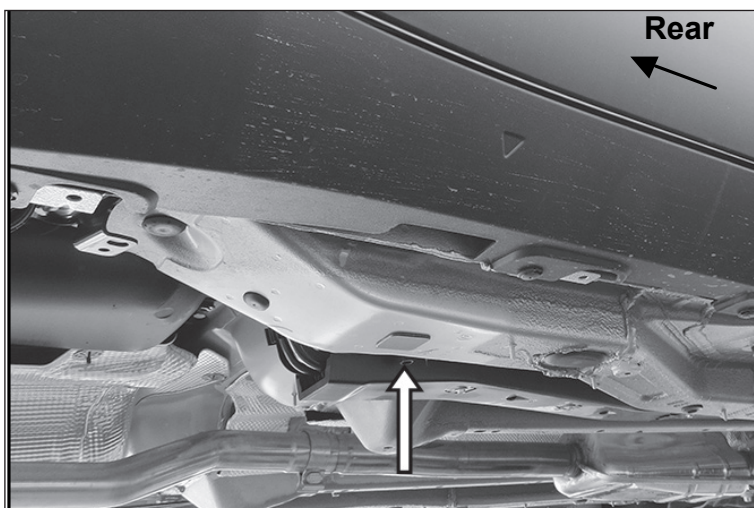


5. Select Passenger/Right Front Support Bracket. Attach Support Bracket to back of Front Mounting Bracket using M8 Hex Bolt, 2 M8 Flat Washers, M8 Lock Washer, and M8 Hex Nut. Line up mounting flange on Support Bracket with back of pinch weld.



6. Move toward rear of vehicle and locate square plug in bottom of frame channel. Repeat steps 2-5 to install Passenger/Right Rear Bracket and Support Bracket.

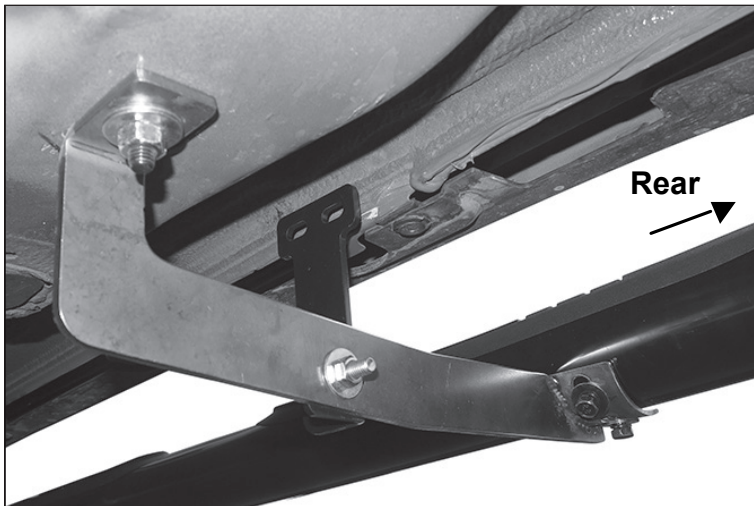
**NOTICE** Passenger/Right Rear Support Bracket will attach to **front** of Rear Bracket.



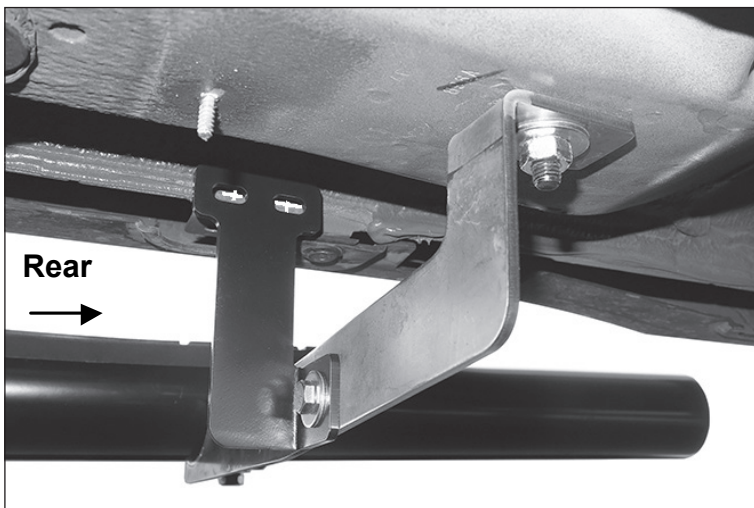


## Renegade 3" Sidebar

7. Select Passenger/Right Sidebar. Place Sidebar on top of Brackets. Attach Sidebar to Brackets using 4 M8 Combination Bolts.



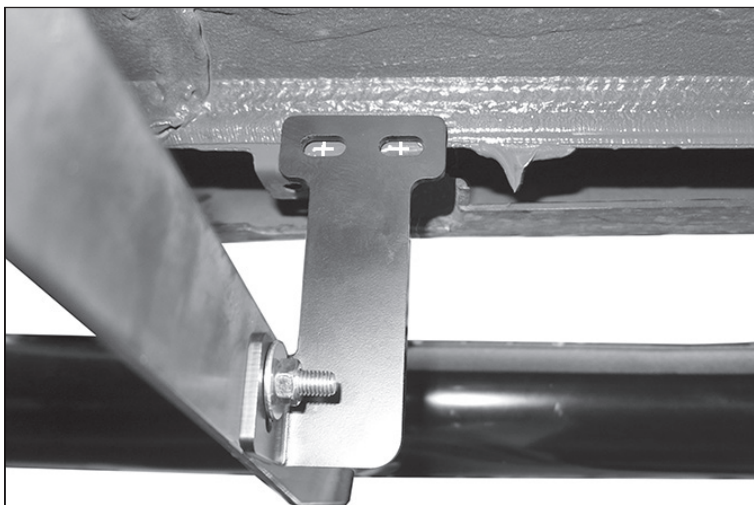
8. Level and adjust Sidebar and fully tighten all Bracket-to-Bolt Plate hardware only.



9. Ensure Sidebar is level to vehicle. Line up Support Brackets with back of pinch weld. If necessary use clamps to temporarily attach Support Brackets to pinch weld. mark location of slots onto pinch weld.

10. Temporarily remove Sidebar and Support Brackets. Use a 1/4" drill bit to drill 2 holes through pinch weld for each Support Bracket.

**NOTICE** Avoid drilling through welds in pinch welds.



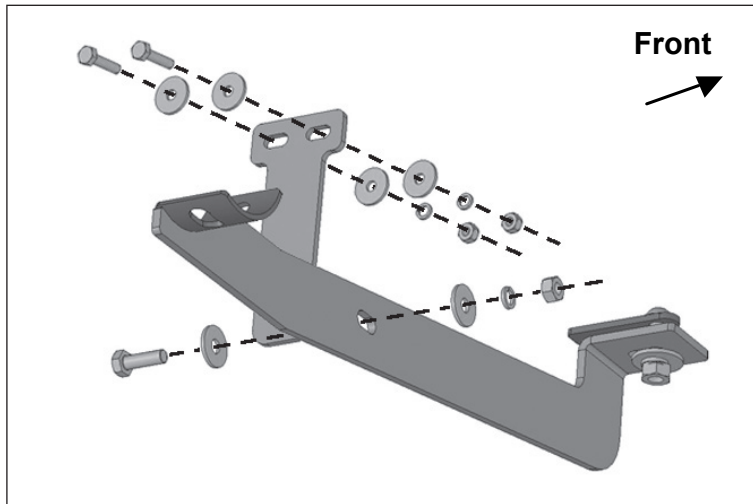
**Rugged  
Ridge**



**ATOV**  
USA

## Renegade 3" Sidebar

11. Release clips attaching bottom of outer plastic rocker panel cover to pinch weld. Attach each Support Bracket to pinch weld using 2 M6 Hex Bolts, 4 M6 Flat Washers, 2 M6 Lock Washers, and 2 M6 Hex Nuts.



12. Hold plastic cover in position and trace location of Brackets onto cover. Cut slot from cover to clear Rear Mounting Bracket. Cut as little from cover as possible. Do not cut mounting points off cover if possible.



13. Reinstall cover, Brackets, and Sidebar. Align and adjust Sidebar properly and fully tighten all hardware.

14. Repeat steps 2-14 to install Driver/Left Sidebar.

15. Do periodic inspections to installation to ensure hardware is secure and tight.

