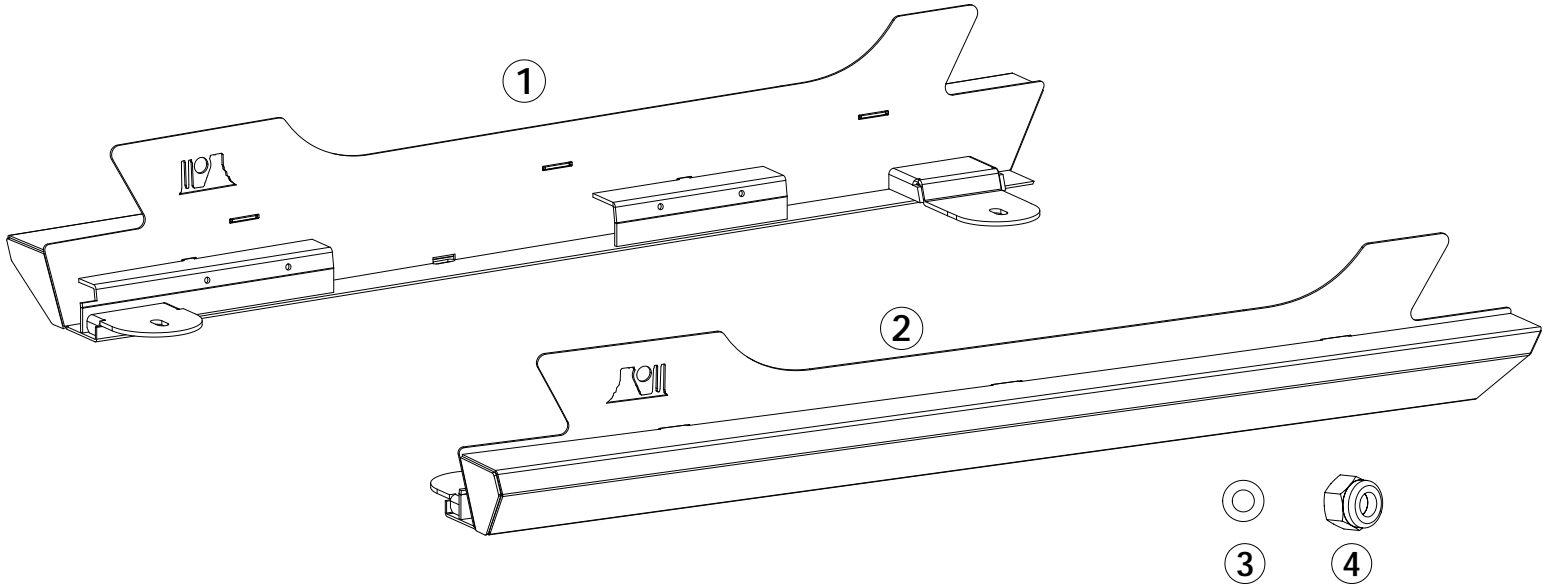




OMIX-ADA, Inc.

Part # 11504.17

JEEP® XHD Rock Sliders, 2 Door JK



Components

- 1. Rock Slider, Left
- 2. Rock Slider, Right
- 3. Flat Washer
- 4. Lock Nut

- (1)
- (1)
- (8)
- (8)

Tools Required

- 1. Ratchet Wrench
- 2. 18mm Socket
- 3. 10mm Socket/Open End
- 4. Torque Wrench
- 5. Pry Bar



Important Safety Information

Your Rugged Ridge® Rock Sliders are intended to increase the utility and enjoyment of your Jeep® by protecting the rocker panels and painted exterior body panels, and enhancing the look of your vehicle. Before installation, please take a moment to review the following safety information and installation instructions. Important safety information is generally preceded by one of three signal words indicating the relative risk of injury. The signal words mean:

WARNING

A hazardous situation which, if not avoided, could result in serious injury or death. **You can be killed or seriously hurt if you do not follow instructions.**

CAUTION

A hazardous situation which, if not avoided, could result in minor or moderate injury. **You can be moderately hurt and may also suffer property damage if you do not follow instructions.**

NOTICE

Careful attention is required to this instruction or operation, but does not generally relate to personal injury. Damage to your product or other property may result if you do not follow instructions.

Installation Instructions

To reduce risk of personal injury during assembly and use of this product:

- Wear safety glasses during entire installation.
- Read entire installation procedure before beginning.
-  **WARNING** **Fully complete installation on one side of the vehicle before beginning installation of second side. ONLY REMOVE BODY MOUNT BOLT FROM ONE SIDE OF THE VEHICLE AT A TIME.**
- **Make sure vehicle is on a flat, level surface, in park, and emergency brake engaged.**
- **Do not move the vehicle when any body mount bolts are removed.**

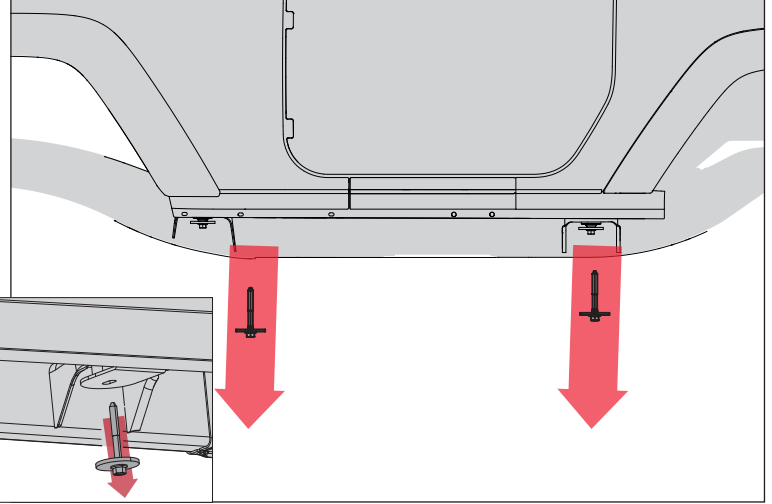
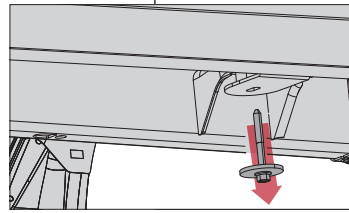


1. Clean surface of rocker panel to ensure its free of dust, dirt, and debris.

2. Remove the 2 body-mount bolts from one side of the vehicle using an 18mm Socket Wrench.

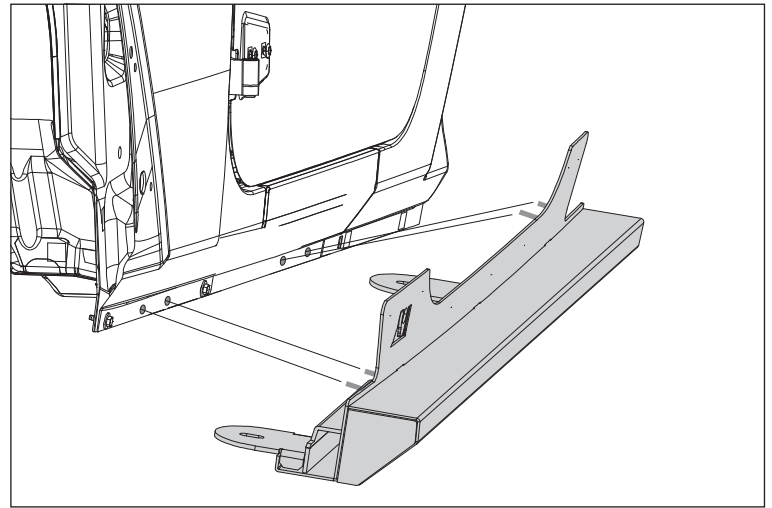
NOTE: If body mount bolt spins but does not unthread, use a prybar to apply downward force on top of large washer.

WARNING Only remove body mount bolts from one side of the vehicle at a time. Vehicle is on flat, level surface, in park, with emergency brake engaged. Do not attempt to move the vehicle when body mounts are removed.



3. Align the 4 bolt studs on the Rock Slider with the 4 holes in the pinch-weld, as indicated in the image. The Rugged Ridge logo cutout should be oriented towards the front of the vehicle. Fasten Rock Slider to vehicle using a 10mm socket wrench or open end wrench, and the supplied Flat Washers and Lock Nuts.

NOTICE Have someone help lift the Rock Rail into place to avoid damaging the vehicle.



4. Re-apply blue thread locker and re-install the 2 body mount bolts from step 1. Use a torque Wrench to tighten body mount bolts to 80 ft/lbs.

Repeat steps 1 - 4 for other side of vehicle.

