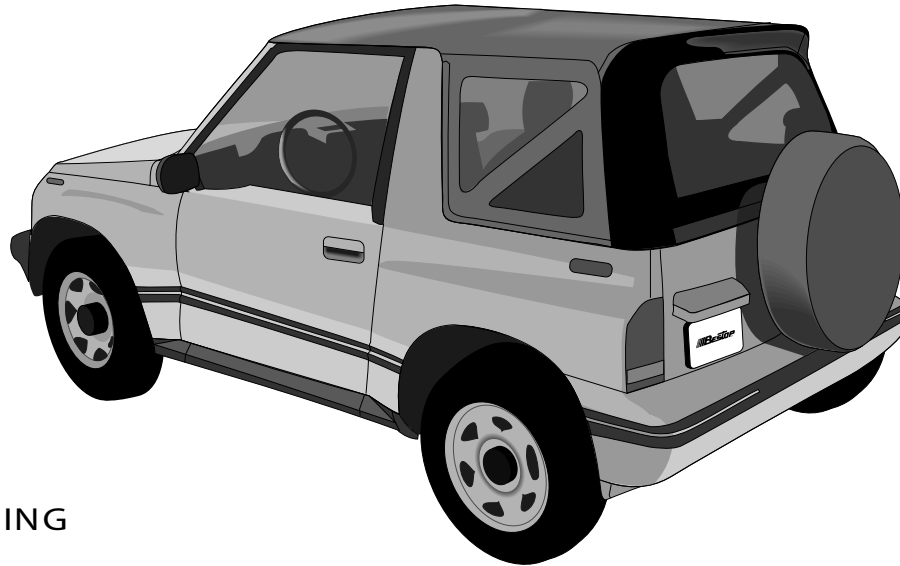


# Convertible Top Installation Instructions

For: 1995 - 1998 Geo Tracker & Suzuki Sidekick Part Number: 51364



## Parts List

Top, Soft	(1)
Rear Window	(1)
Quarter Window, Rt.	(1)
Quarter Window, Lt.	(1)

## WARNING

This product is designed to enhance the appearance of the vehicle and to shield the occupants from ordinary weather conditions. Do not rely in any way on the components of this product to contain occupants within the vehicle, or to protect against injury or death in the event of an accident. This top will not protect the occupants from falling objects. Never operate vehicle in excess of manufacturer's specifications.

WEAR SEAT BELTS AT ALL TIMES.

Read and follow, precisely, all installation instructions provided when installing top. Failure to do so may result in a poor fitting top and could place occupants of the vehicle in a potentially dangerous situation.

## Installation Tips

*Before you begin installing this top assembly, read all instructions thoroughly. After completing the installation, keep these instructions for further reference. Below are a few tips to make this installation easier.*

### For a smooth fit:

For ease in installation, the top should be installed at temperatures above 72° F. Below this temperature, the top may contract an inch or more, making it difficult to fit to the vehicle.

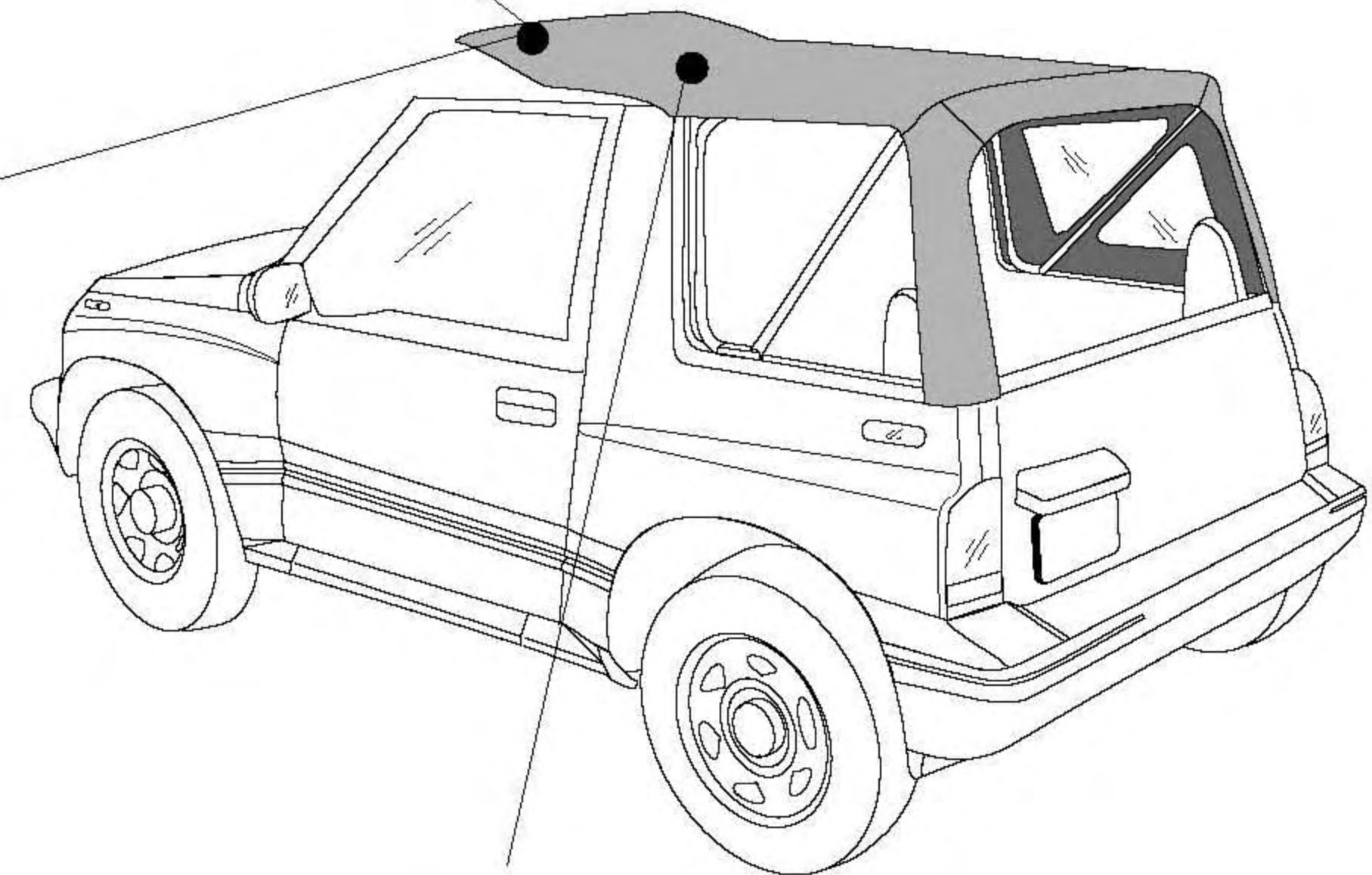
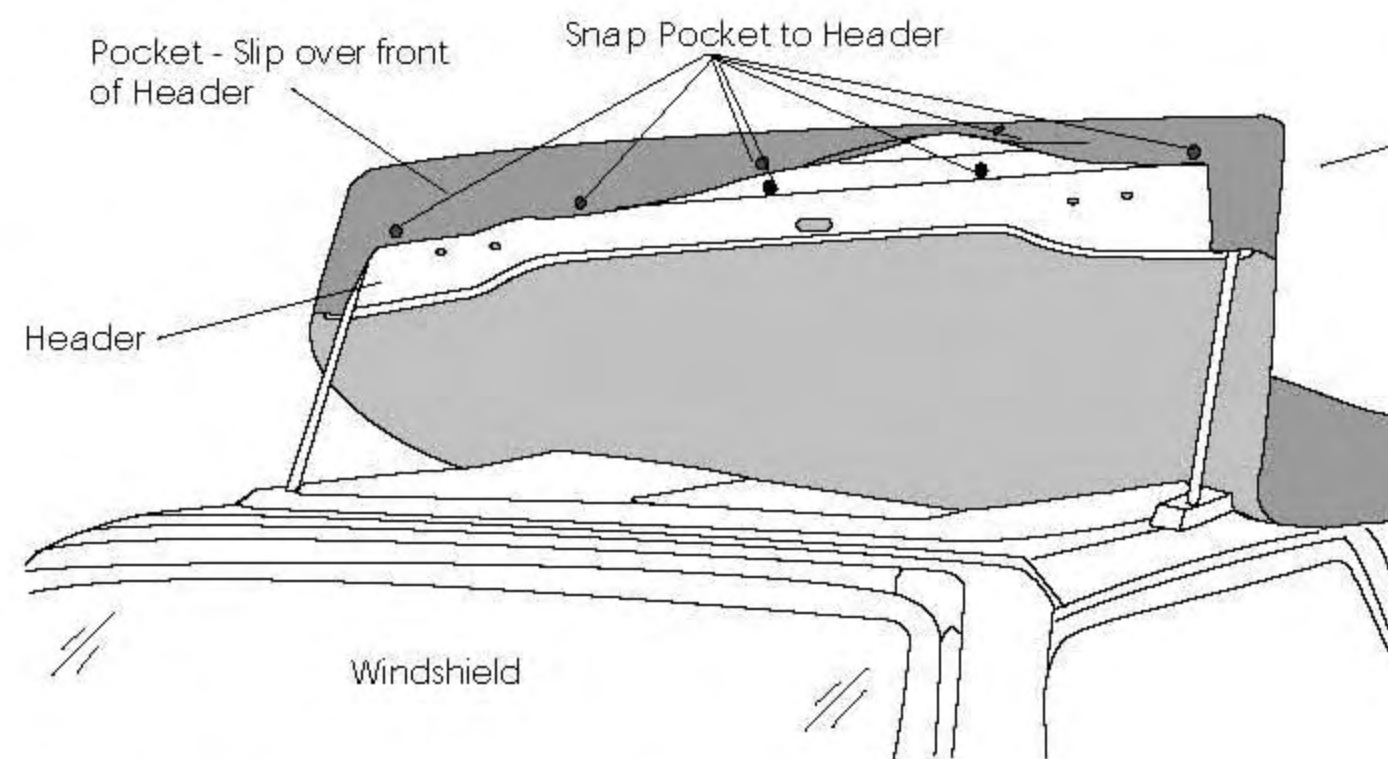
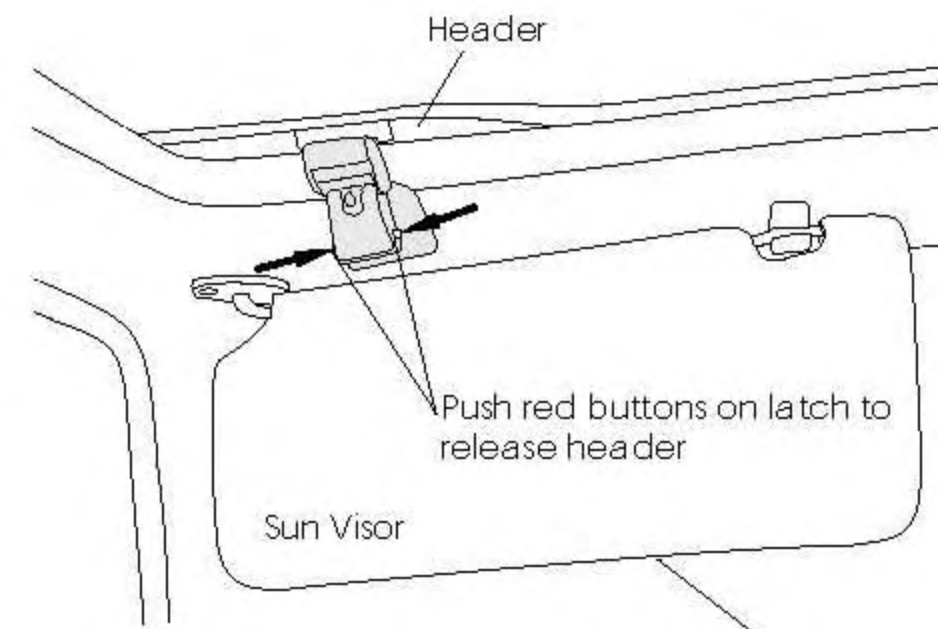
It is normal for a top to contract and wrinkle when stored in the shipping carton. Within a few days after the installation, the top will relax and the wrinkles will disappear.

## Step One

Remove the old top.

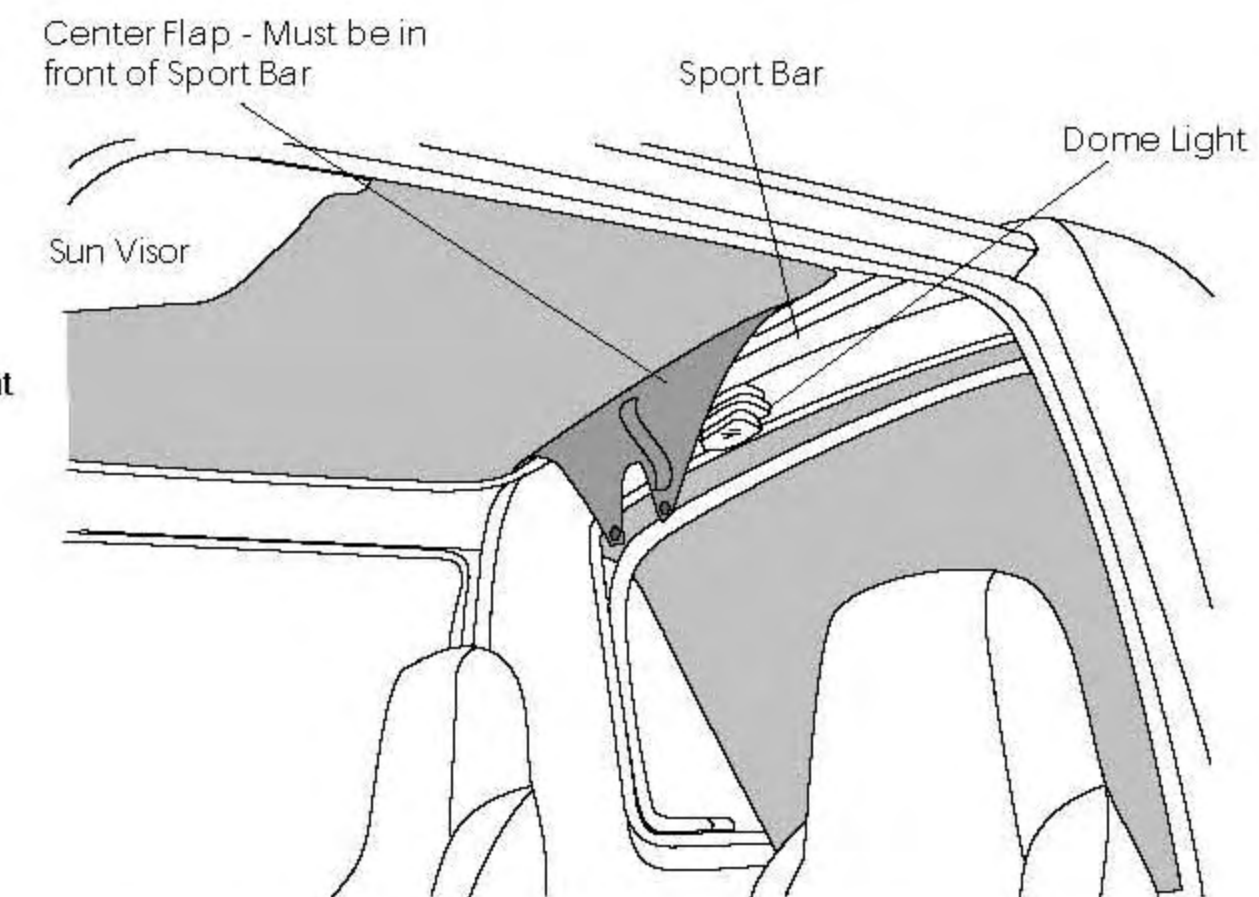
Orient the top of the vehicle. The pocket sewn into the top should be toward the front.

To open the header, push the red buttons on each side of the latch that attaches the header to the windshield. Open the header and push it back.



## Step 2

Slip the pocket sewn into the front of the top over the front edge of the header. Snap the five snaps along the pocket to the snap heads on the header.



## Step 3

Push the header forward to close it, but do not latch it at this time.

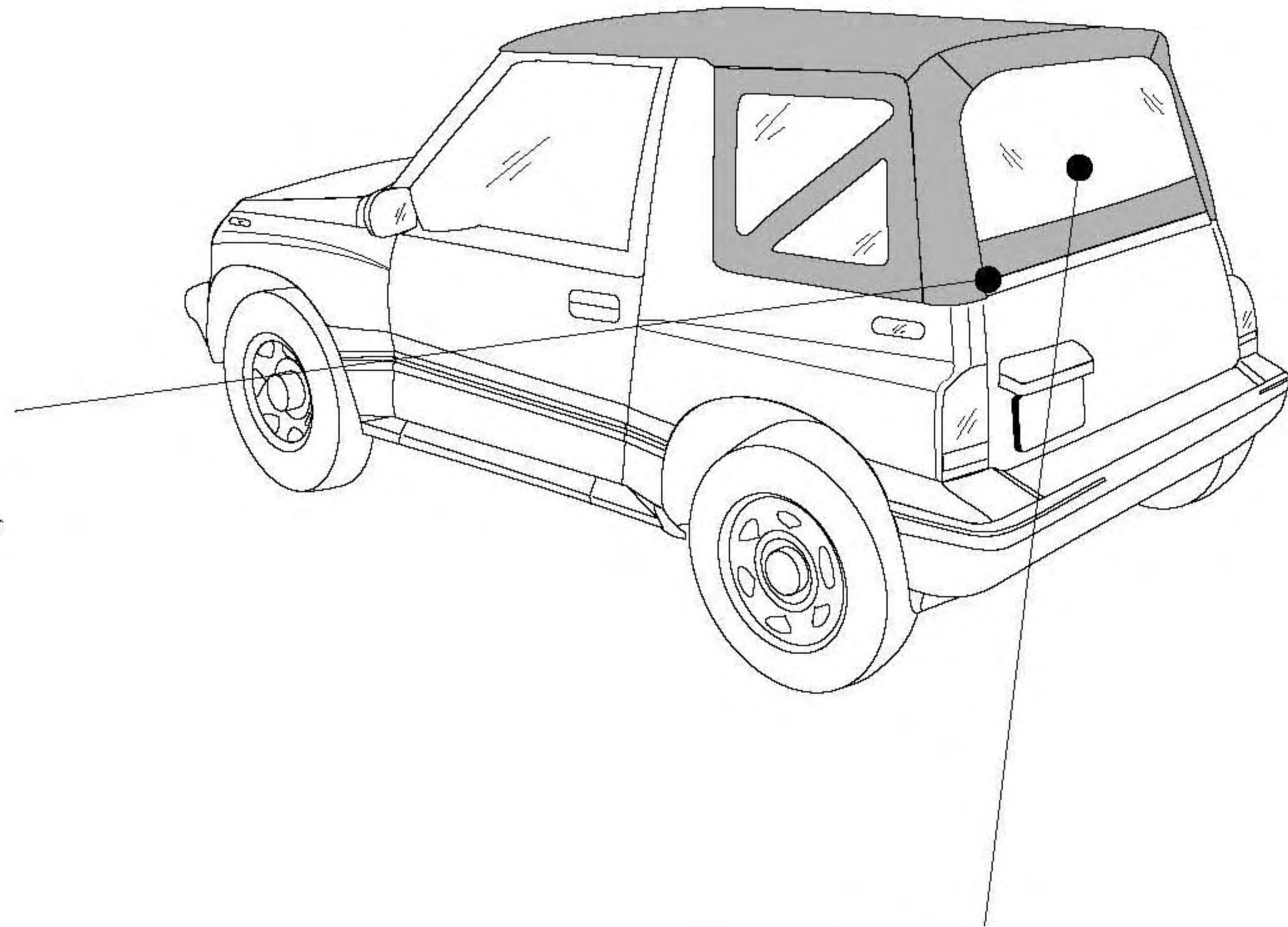
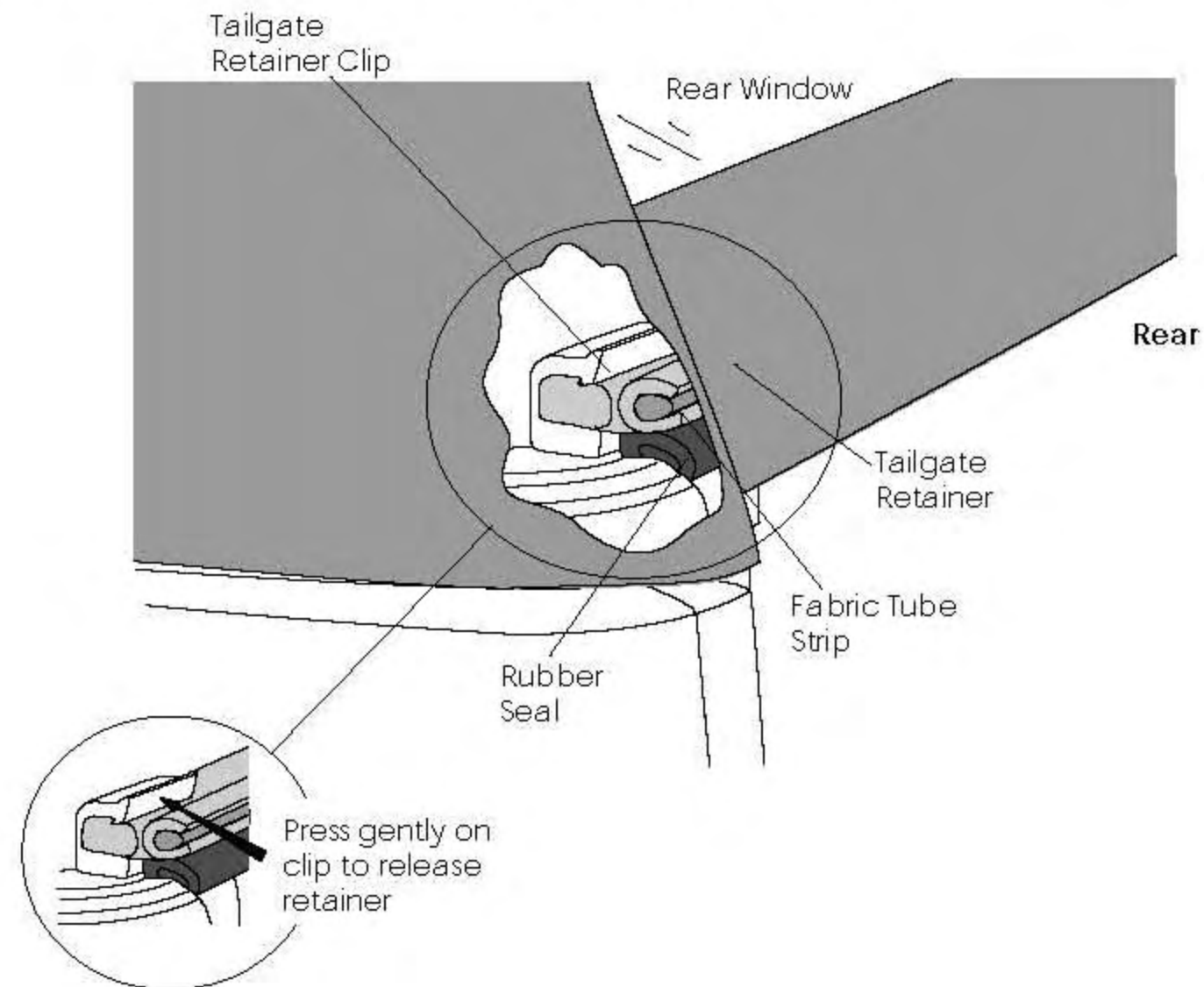
Make sure that the snaps on the center flap on the inside of the top are in front of the Sport Bar and the hook and loop sewn to the flap is behind the Sport Bar.

## Step 12

Remove the Tailgate Retainer from the clips on each side of the tailgate opening. (Press gently on Retainer to release.)

Orient the Rear Window with the vinyl out and the zipper toward the top. Slide the Tailgate Retainer onto the tube strip sewn just inside the bottom edge of the Rear Window.

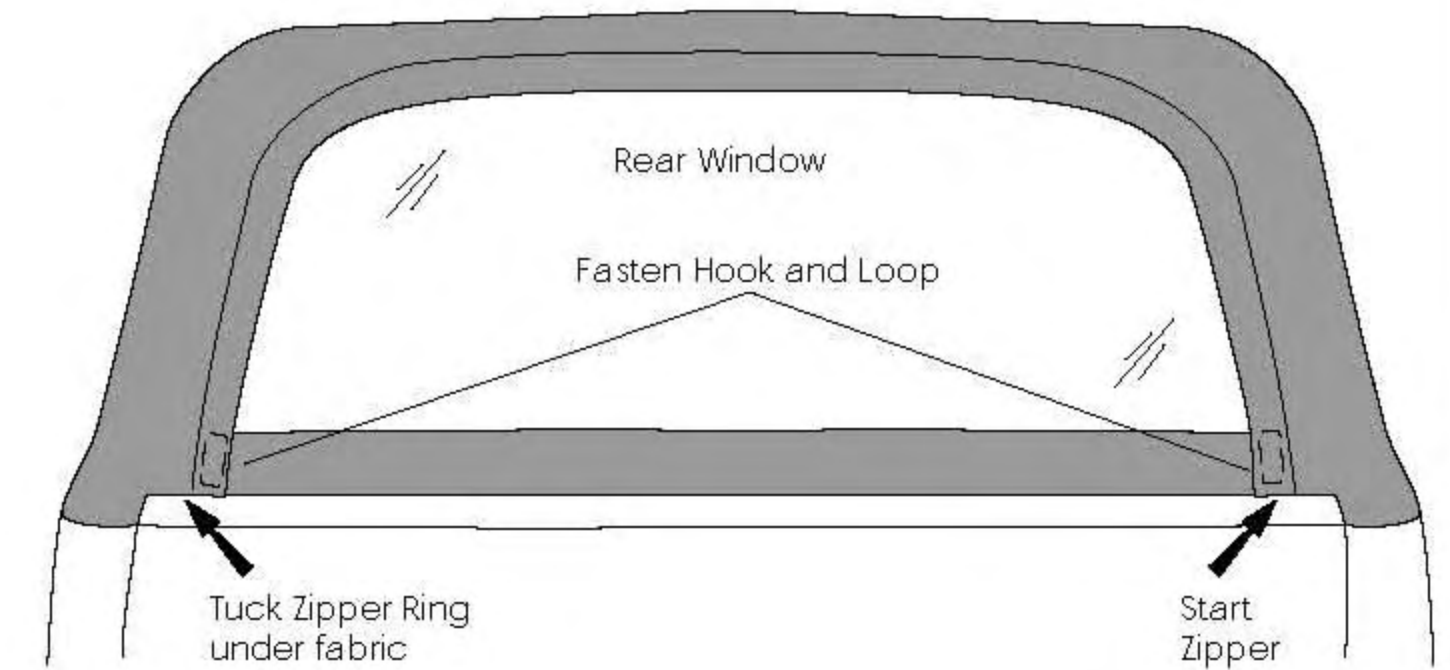
Slip the Tailgate Retainer back into the clips on the vehicle. On the left hand side press in sharply to engage the retainer.



## Step 13

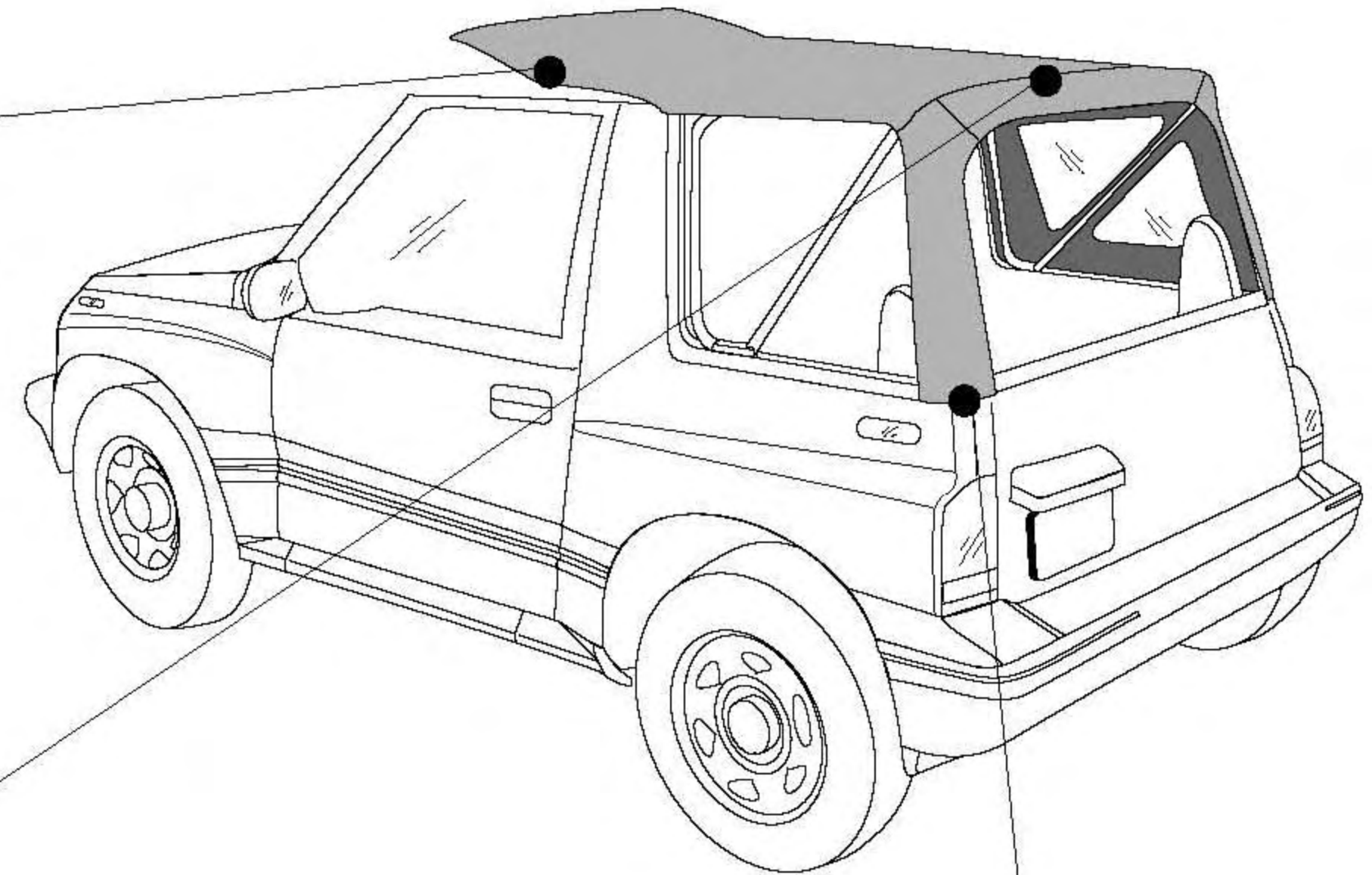
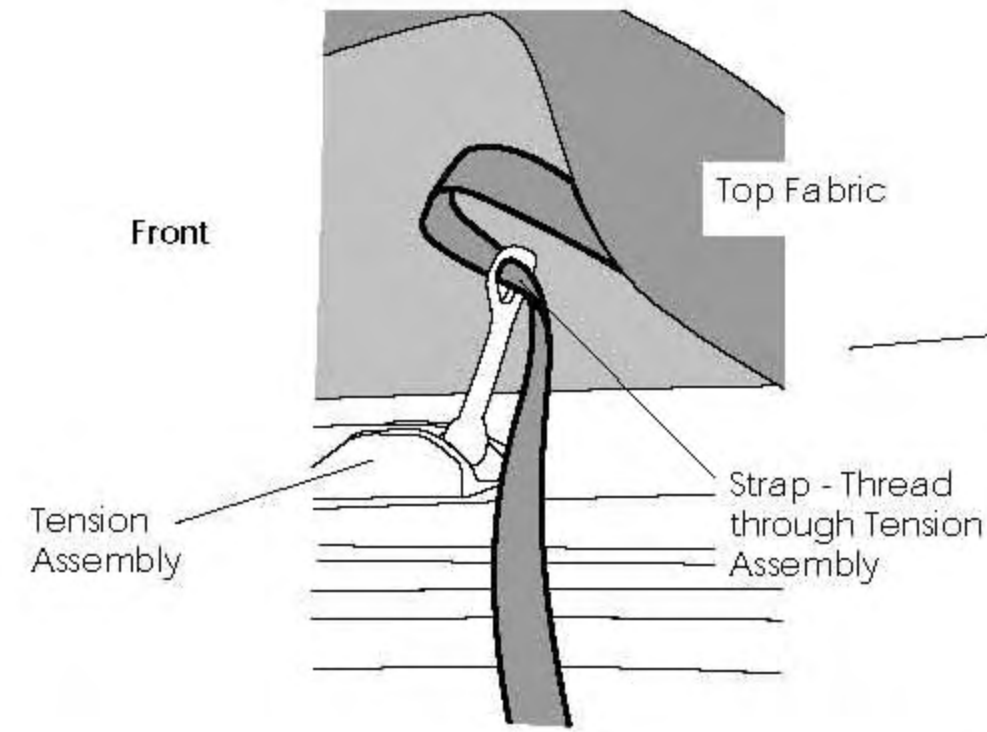
Start the zipper on the right hand side of the Rear Window and zip completely closed. Tuck the zipper ring up under the fabric to keep it out of the hook and loop.

Fasten the hook and loop sewn on each side of the Rear Window.



### Step 4

Locate the straps sewn to the top above the door on each side of the vehicle. Thread the straps through the tension assembly on each side of the vehicle. Do not snap at this time.

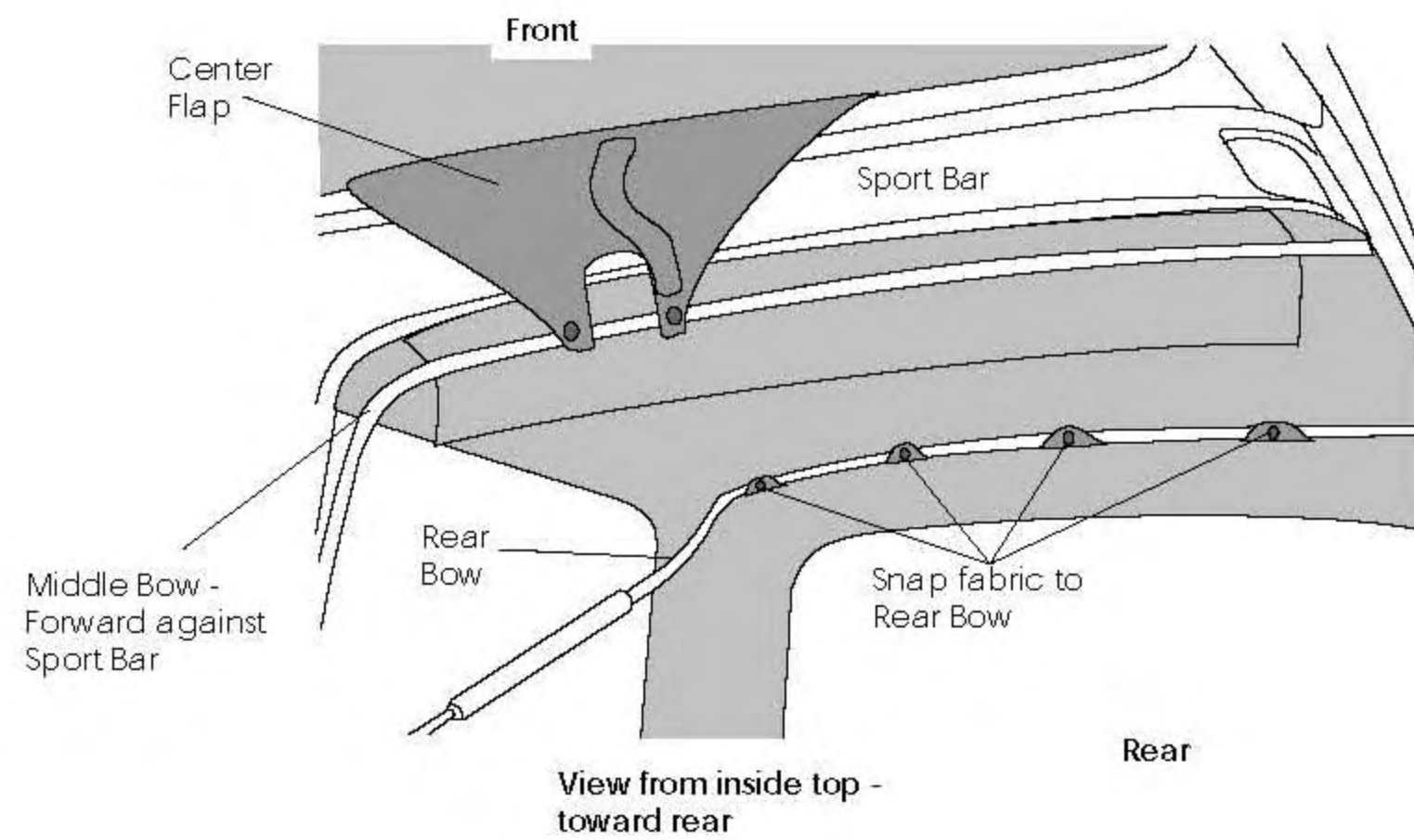


### Step 5

Make sure that the middle bow is forward, up against the Sport Bar.

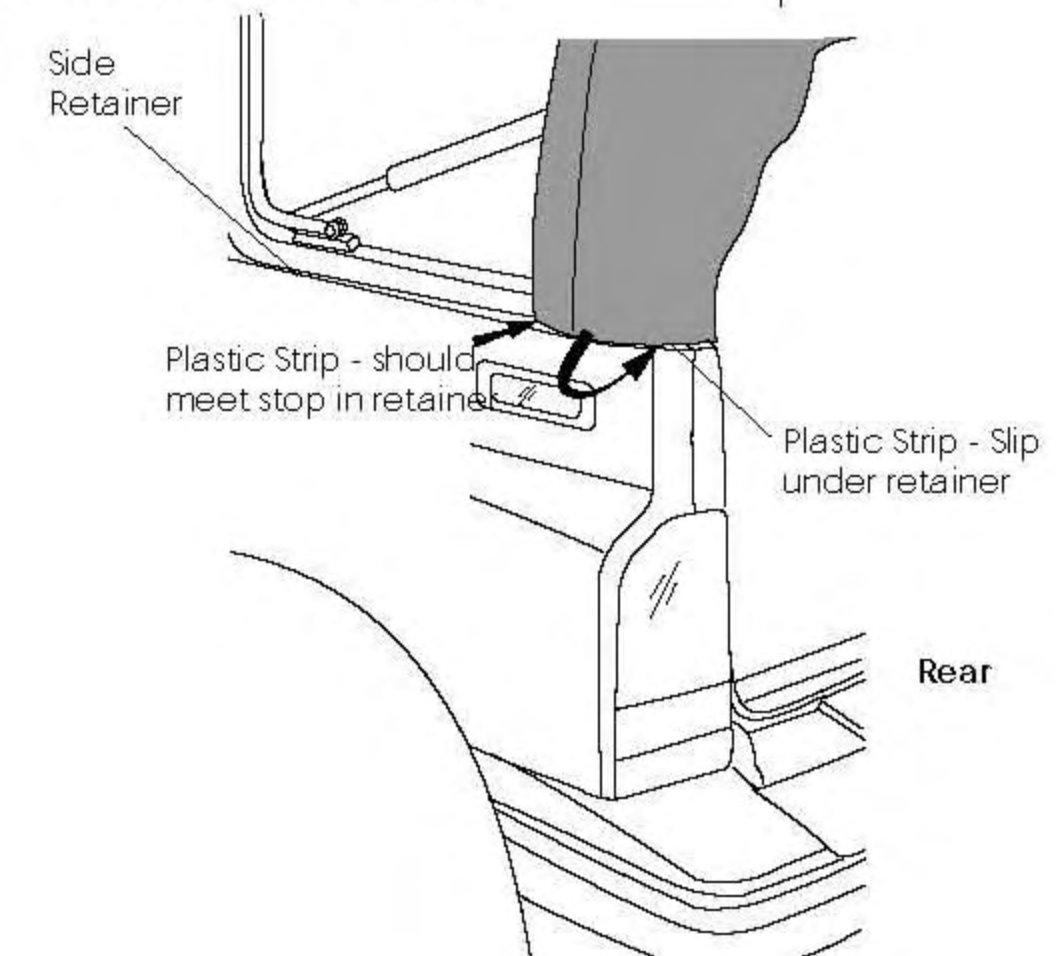
Open the header and push it back.

Lift up the rear of the top and slip the Rear Bow into the rear corners of the fabric. Snap the 5 snaps in the fabric to the snap heads on the bow.



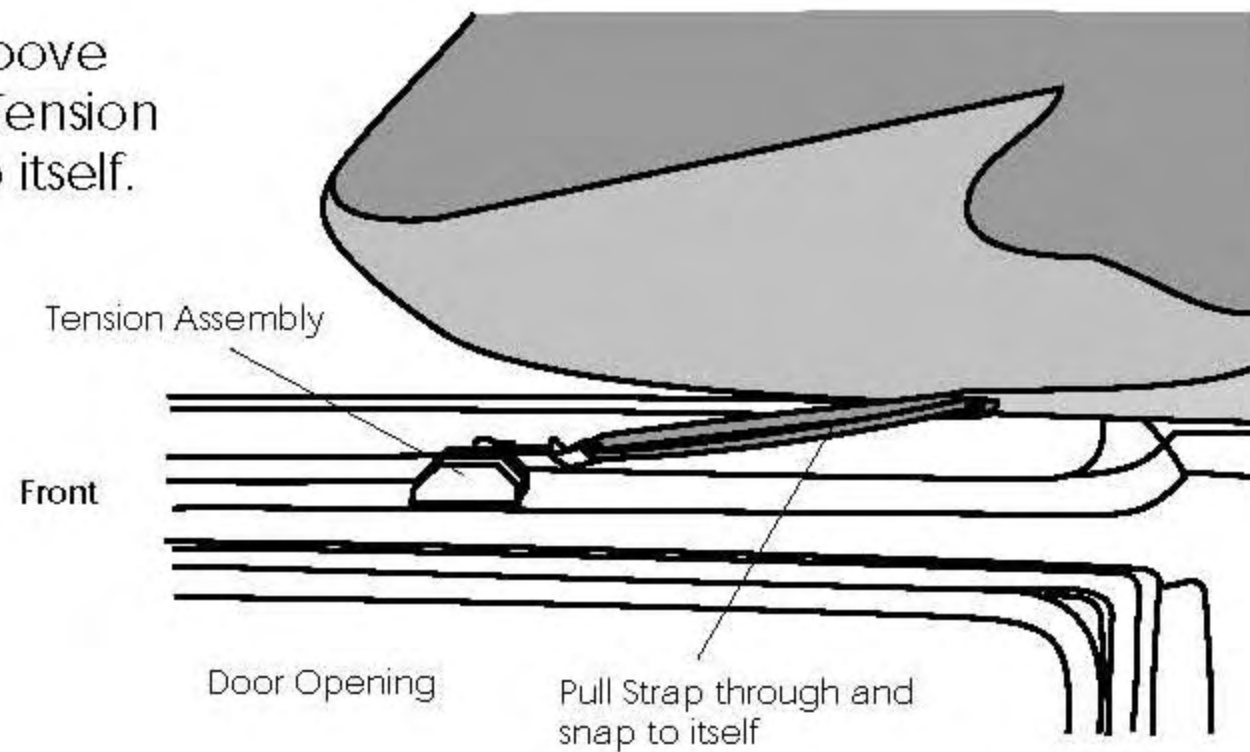
### Step 6

Locate the plastic strip sewn into the bottom of the rear legs of the top. Slip the plastic strip into the retainer on the rear corners of the vehicle. The front edge of the plastic strip should be far enough forward to touch the stop in the retainer.



## Step 7

Pull the Tension Strap above the doors, through the Tension Assembly and snap it to itself.

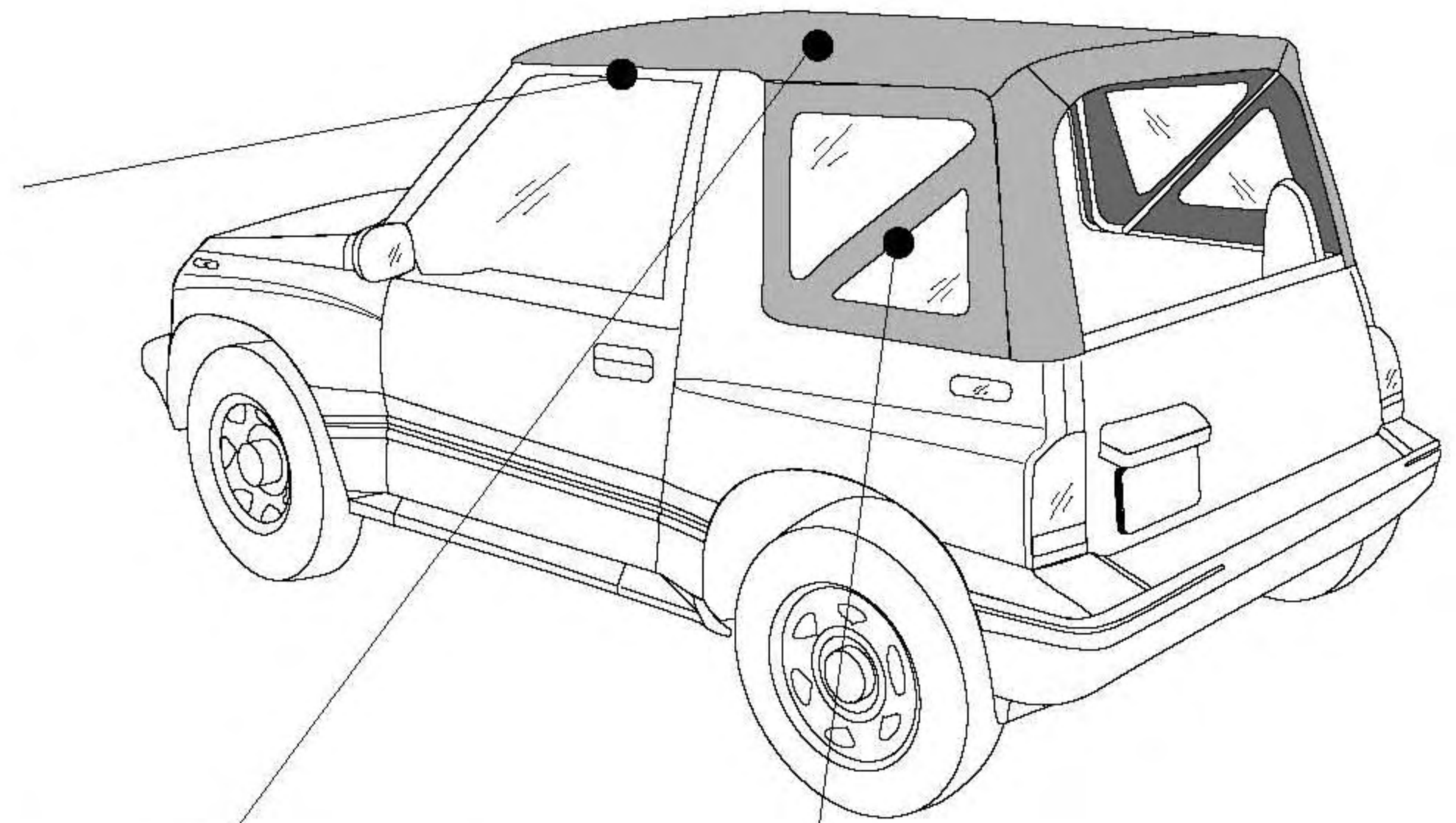
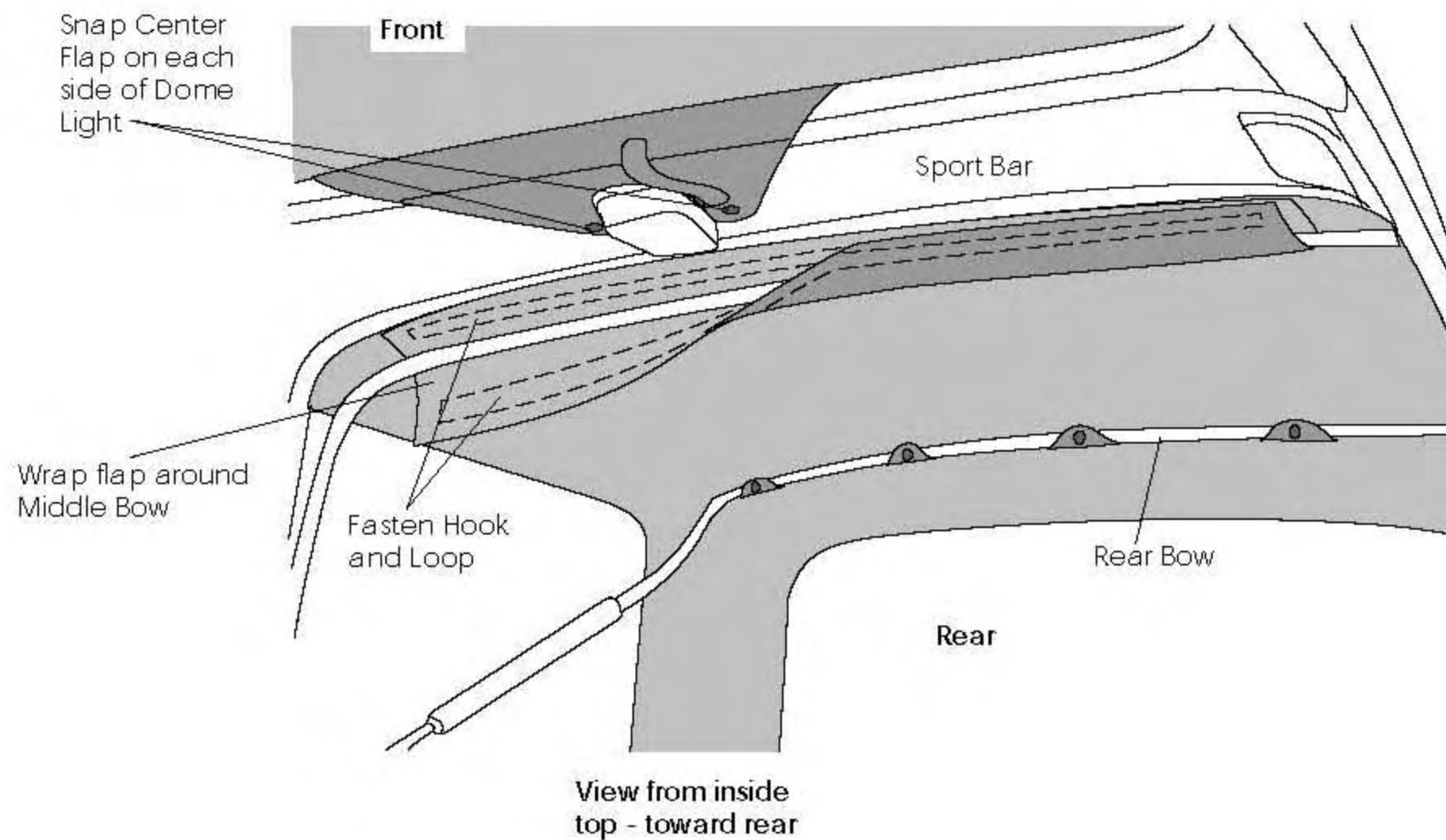


## Step 8

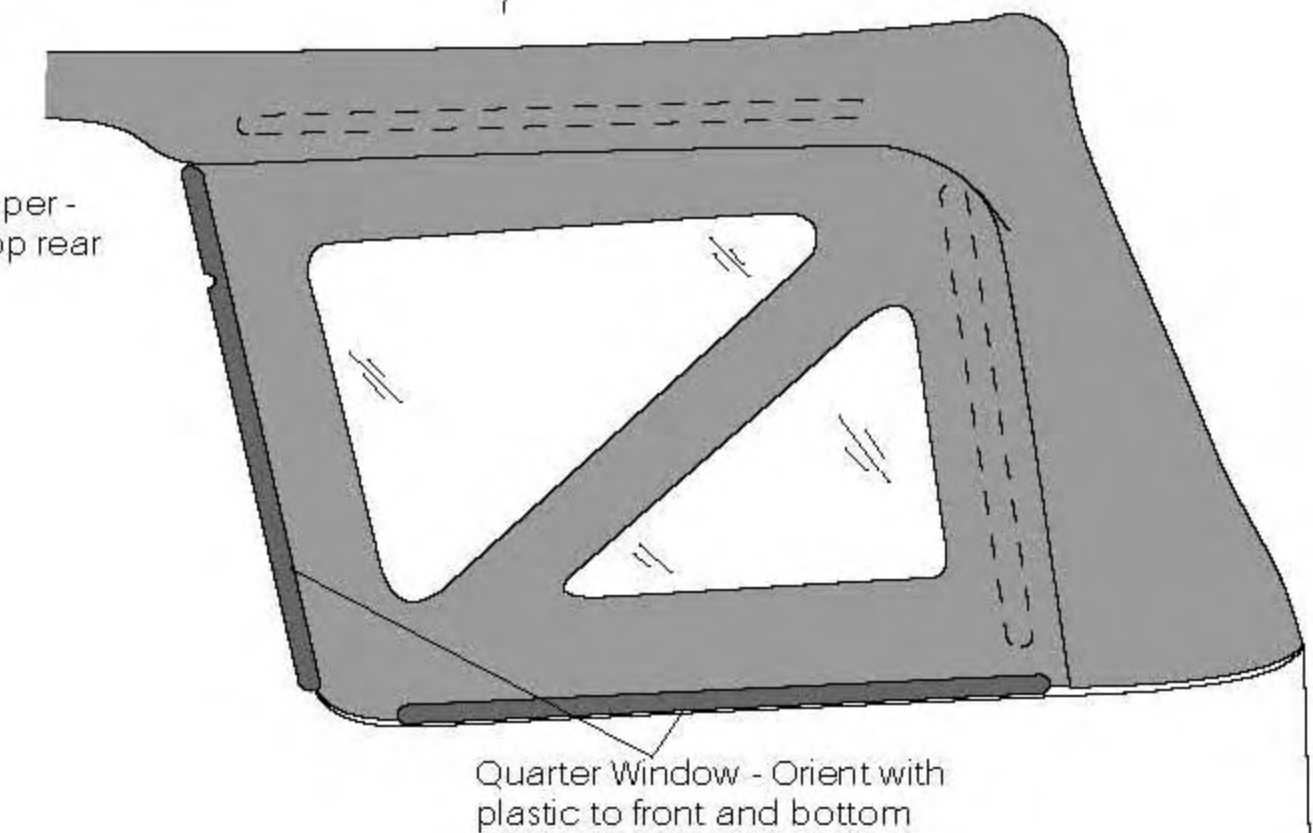
Close and clamp the header to the windshield.

Inside the vehicle, snap the Center Flap to the snap heads on the Sport Bar. The flap will snap on each side of the Dome Light.

Locate the flap on the inside of the top just behind the Center Bar. Wrap the flap around the middle bow and fasten the hook and loop, sewn to the flap.



Start Zipper - Zip to top rear corner



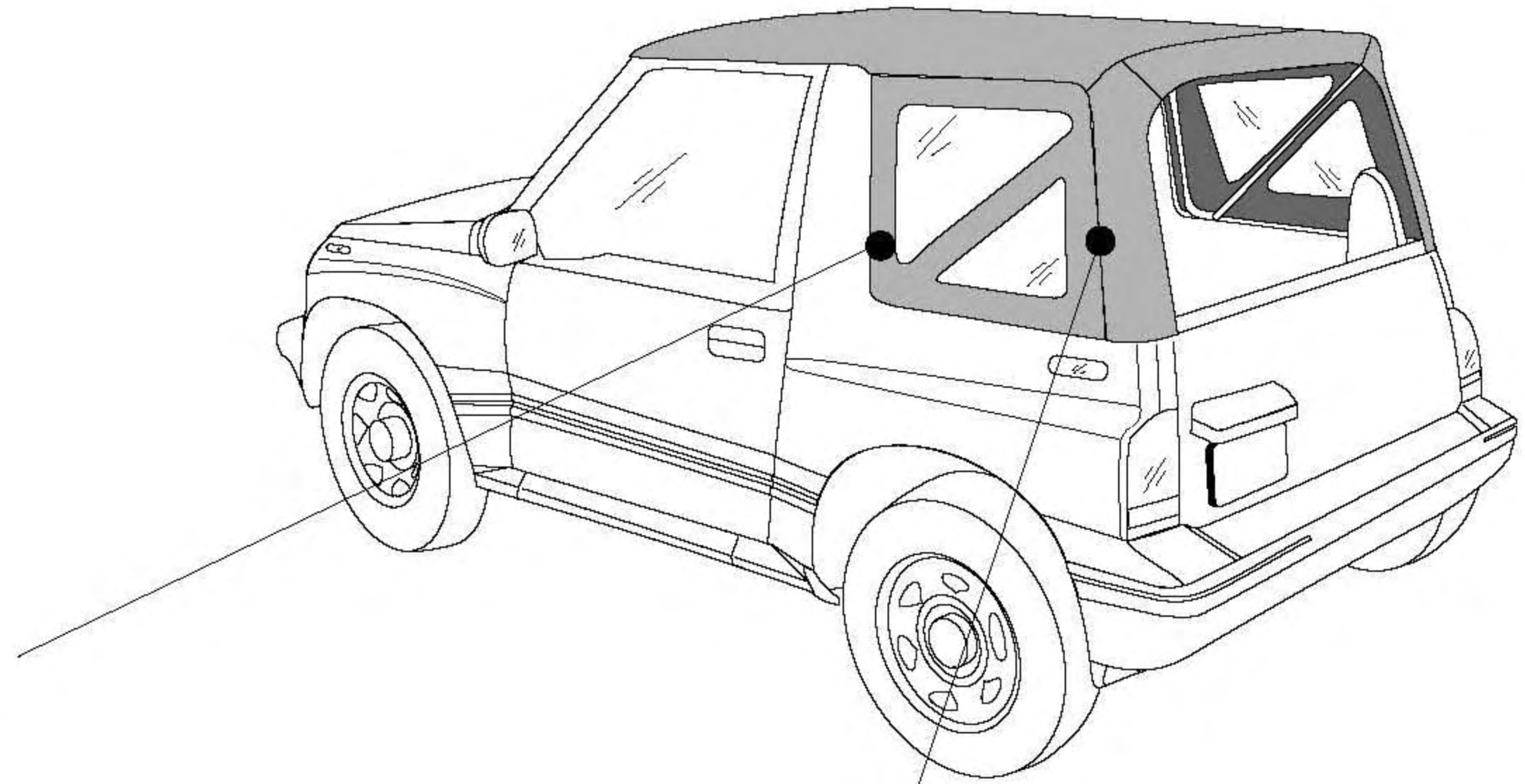
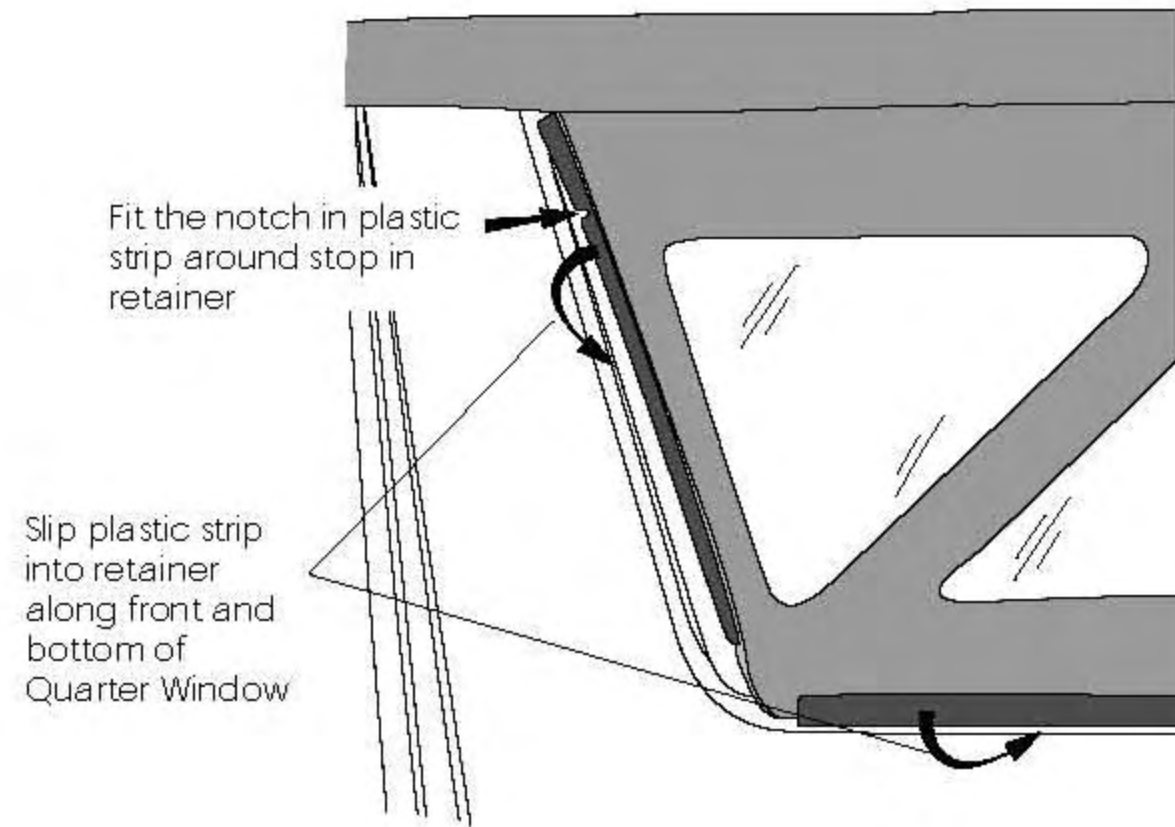
## Step 9

Locate the Quarter Windows and orient them with the plastic strips along the front and bottom edges. The two flaps on the top of the Quarter Windows will sandwich the interior flap in the top above the window openings.

Start the zipper at the top front of the Quarter Window and close it to the top, rear corner.

## Step 10

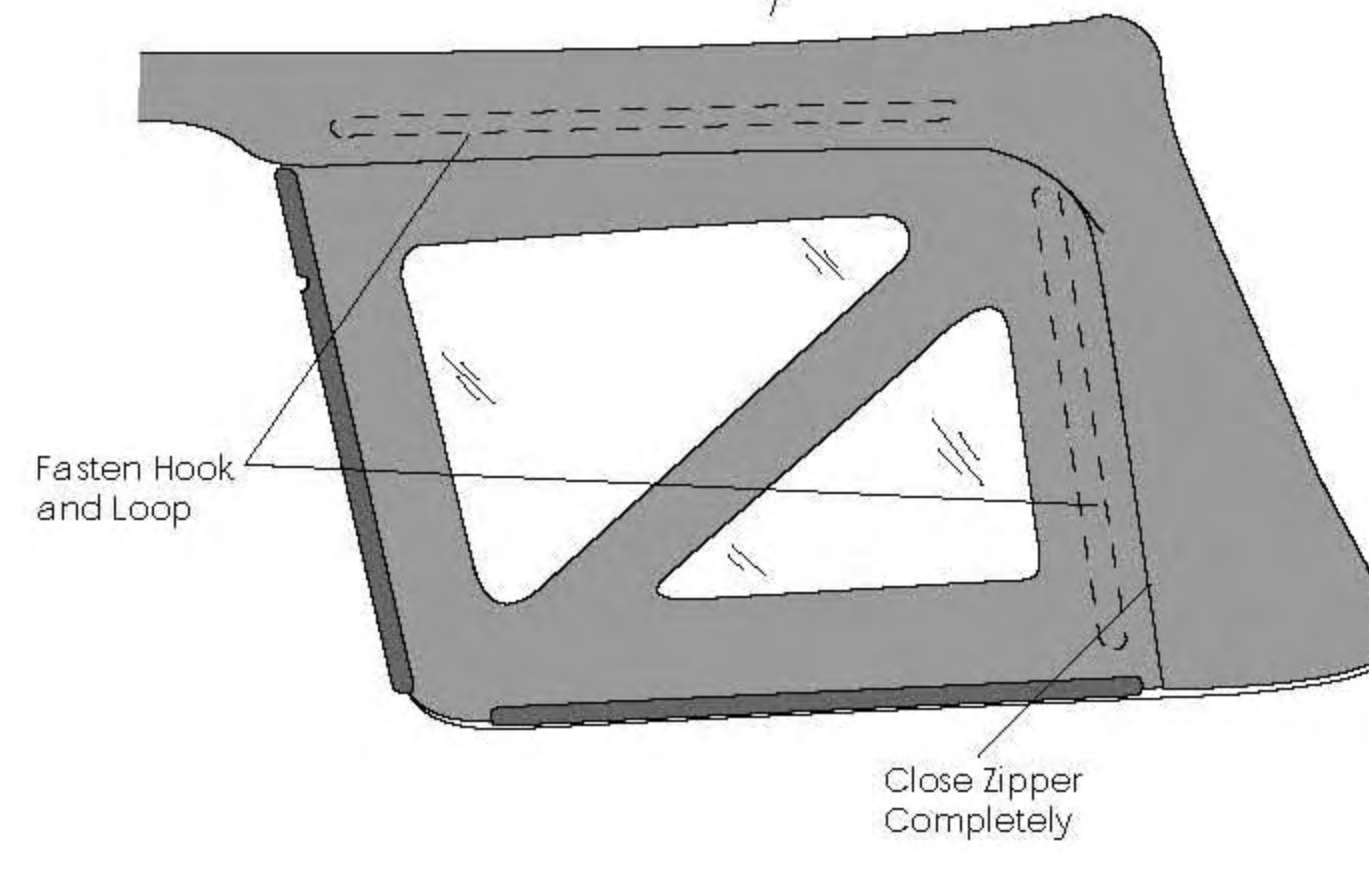
The plastic strip sewn to the front edge of the Quarter Window is notched to fit around the stop in the retainer. Working the notch around the stop, slip the plastic into the retainer along the front and bottom edges of the Quarter Window.



## Step 11

Once the plastic strip is in place along the bottom of the Quarter Window, give the window a sharp tug to the rear to assist in closing the zipper completely.

Fasten the hook and loop sewn along the top, outside of the Quarter Window and the inside of the top flap. Then fasten the hook and loop sewn along the rear of the Quarter Window.



## Care and Maintenance of your Rugged Ridge Soft Top

Your top is made of the finest materials available. To keep it looking new and for the maximum possible wear, it will need periodic cleaning and maintenance.

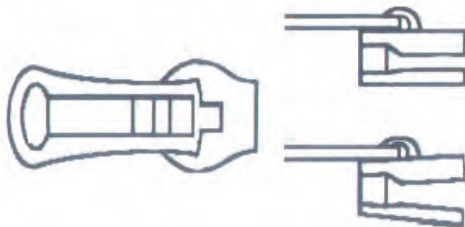
**Washing:** The top fabric should be washed often using soap, warm water and a soft bristle brush. Rinse with clear water to remove all traces of soap.

**Windows:** Keep windows clean to avoid scratching. DO NOT use a brush on the windows! Wash with a water soaked cloth or sponge or sponge and a mild dish washing detergent. NEVER WIPE THE WINDOWS WHEN THEY ARE DRY. Be careful when cleaning snow or frost from the vinyl windows since they are easily scratched and may crack at low temperatures. DO NOT roll the sides or rear window in cold weather. The windows become stiff and will crack.

**Zippers:** Keeping the zipper cleaned and lubricated with a silicone lubricant will help prevent damage and keep the zippers in a smooth working condition. If a zipper opens behind the slider, the slider may have been spread apart. This problem can usually be repaired by using an ordinary pair of pliers to bring the sides back into parallel. Return slider to the end of the zipper in the normal Open position. Squeeze lightly at first and test the zipper. If the zipper continues to remain open squeeze more firmly with the pliers and try the zipper again. Repeat this procedure until the zipper operates correctly.

**Water:** Seeping through at the seams may be stopped by applying a water repellent on the inside of the seams. Rips in the fabric may be repaired with iron on patches. Iron the patches to the inside of the top. Carefully follow the manufacturers instructions.

**Snaps:** Keep snaps cleaned and lubricated with silicone to help prevent snaps from sticking to the studs. If a snap does become stuck to a stud, use a screwdriver and GENTLY pry apart to prevent permanent damage to the snap or the top fabric.



Normal Slider  
Jaws Parallel

Damaged Slider  
Jaws Spread Apart  
(Sometimes Broken)

