

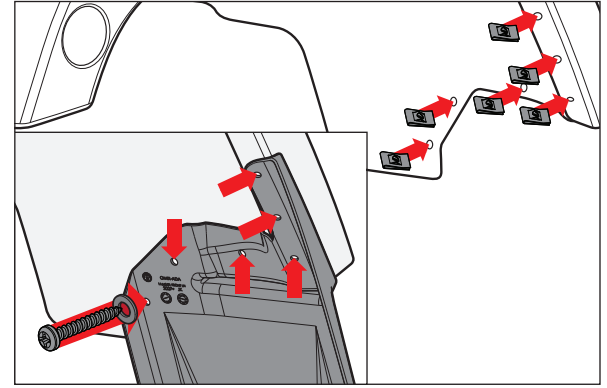


OMIX-ADA, Inc.

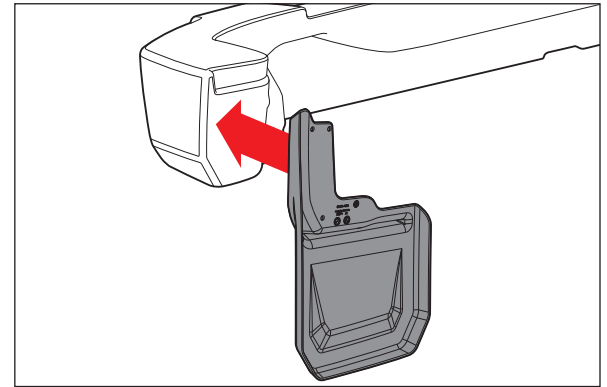
11642.10 Front + Rear Kit
11642.11 Front Kit
11642.12 Rear Kit

JEEP® JK SPLASH GUARDS

3. Attach clip-on nuts. Attach splash guard with long phillips head screws and washers.

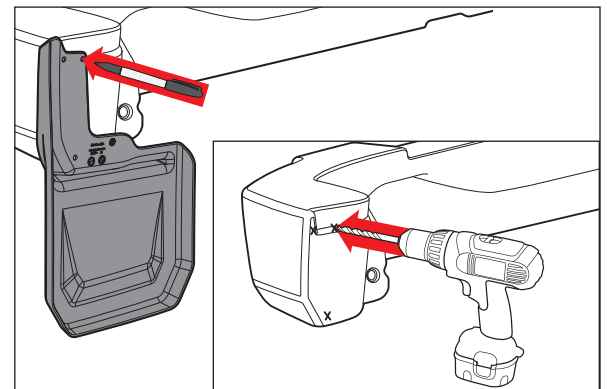


4. Place rear splash guard against factory bumper.



5. Use splash guard as a guide to mark guide holes.

Drill into marks made using a 13/64 drill bit.



6. Attach splash guard with short phillips head screws.

