



OMIX-ADA, Inc.



Part # 18305.06

Adjustable Rear Track Bar



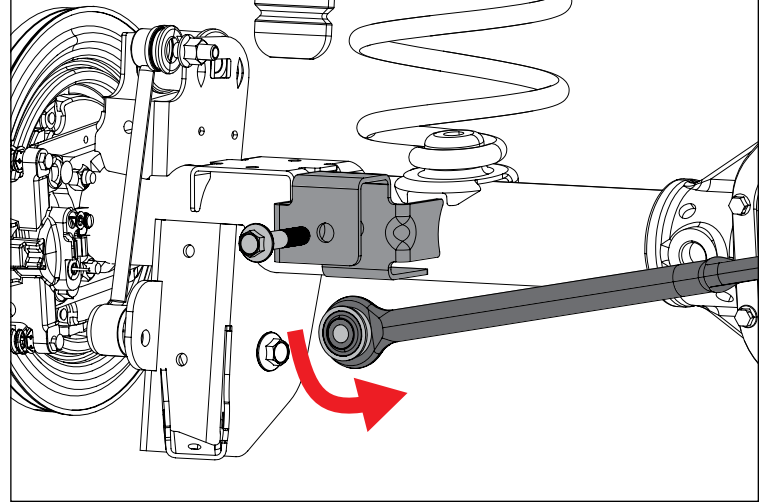


OMIX-ADA, Inc.

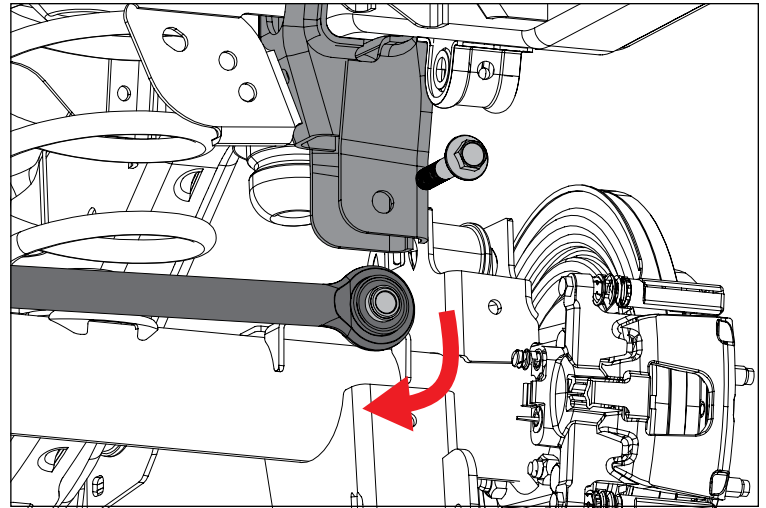


Adjustable Rear Track Bar

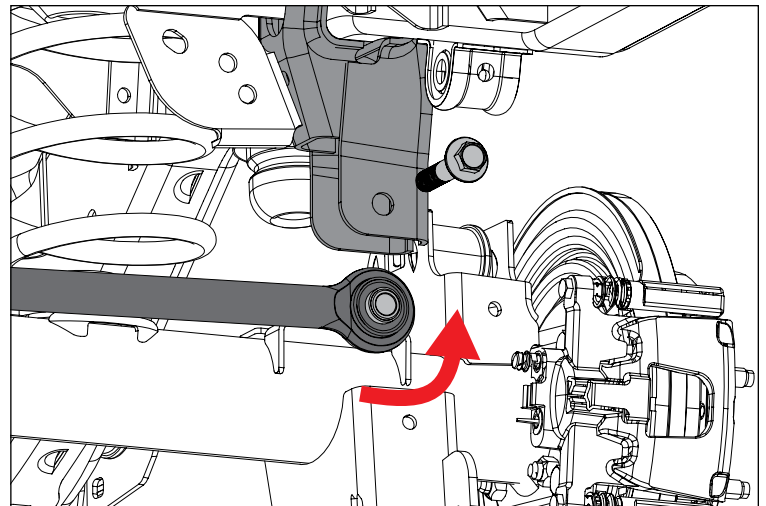
1. Remove rear track bar from axle tube bracket and rotate track bar out of way.



2. Remove rear track bar from frame bracket.



3. Loosely install Adjustable Rear Track Bar in frame bracket using factory hardware.

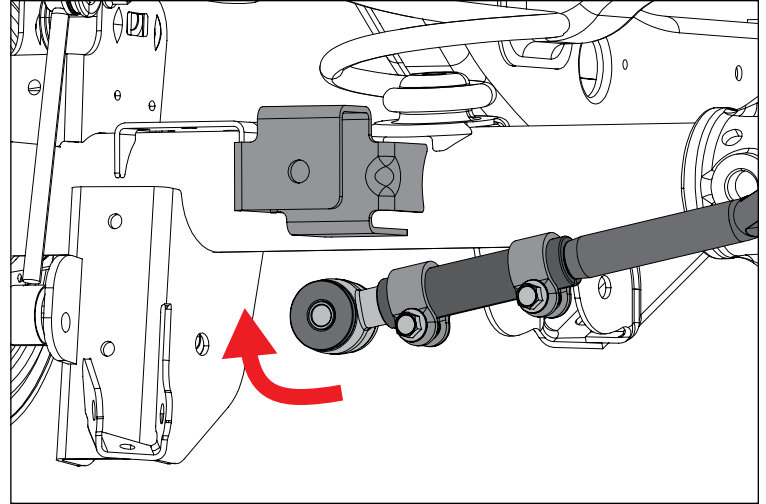


Adjustable Rear Track Bar

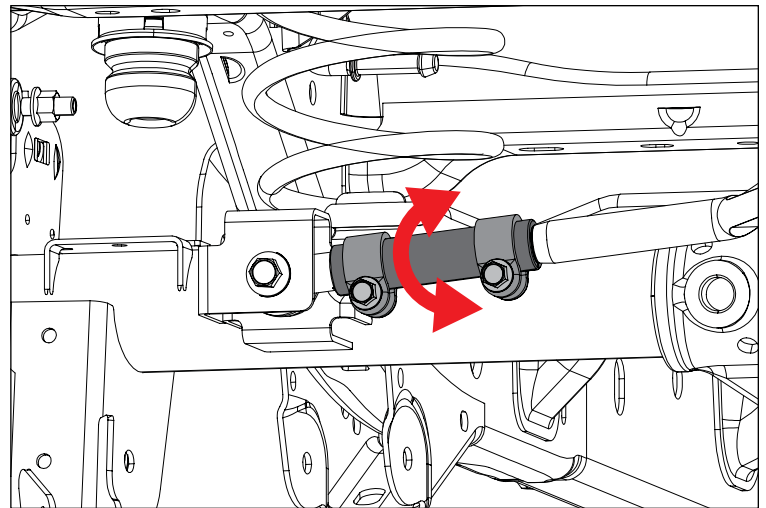
4. Install Adjustable Rear Track Bar in axle tube bracket using factory hardware. Tighten both ends of track bar and torque to 125 ft.-lbs.

WARNING

Failure to tighten to proper torque specification could result in serious injury or property damage.



5. Center axle by loosening adjustment bolts and turning adjustment sleeve.



6. Once centered, tighten adjustment bolts and torque to 45 ft.-lbs.

WARNING

Failure to tighten to proper torque specification could result in serious injury or property damage.

NOTICE

Vehicle alignment may change upon installation. Recommend getting alignment.

