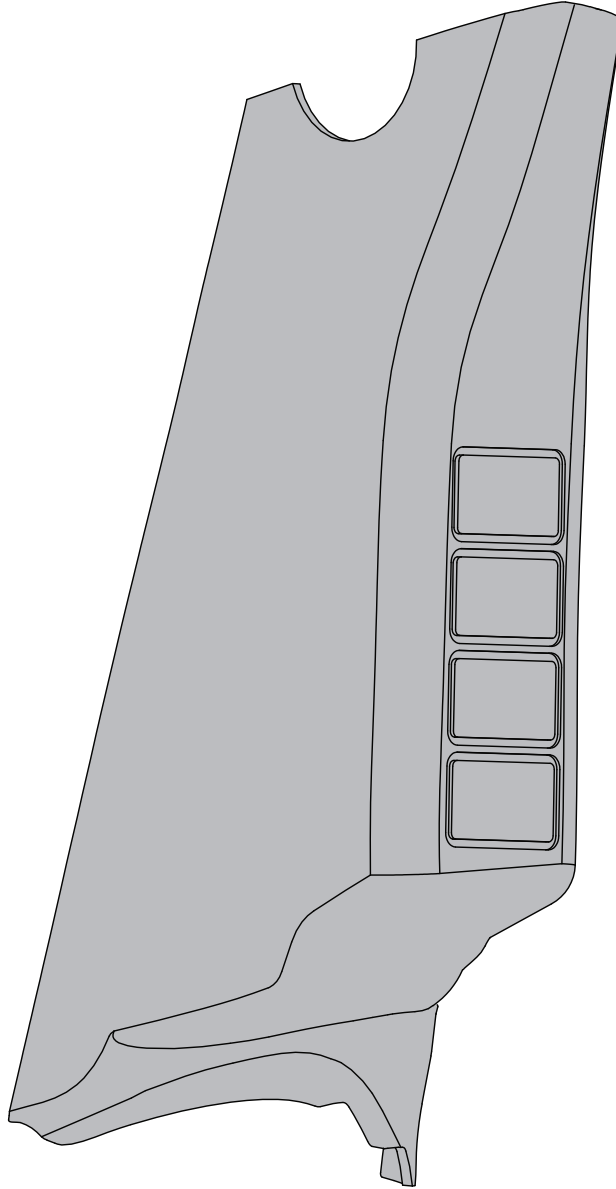


JK A-Pillar Switch Pod



Components

1. A-Pillar Switch Pod (L or R side)

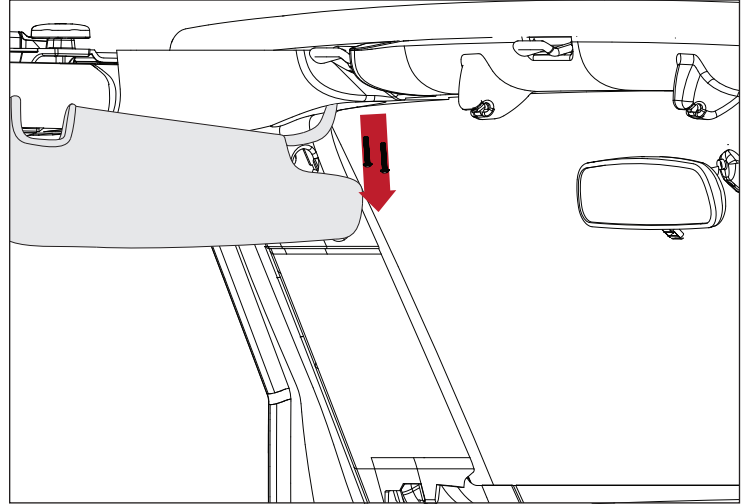
(1)

Switches sold seperately:

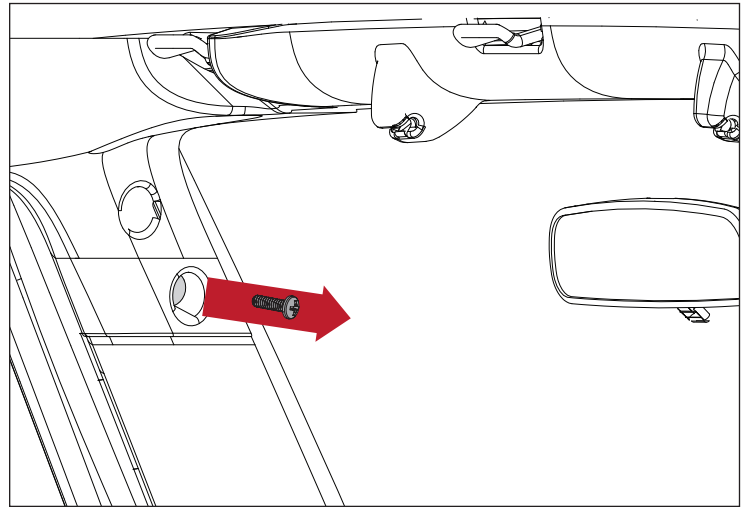
17235.01 - Amber
17235.02 - Red
17235.03 - Blue
17235.04 - Green

JK A-Pillar Switch Pod

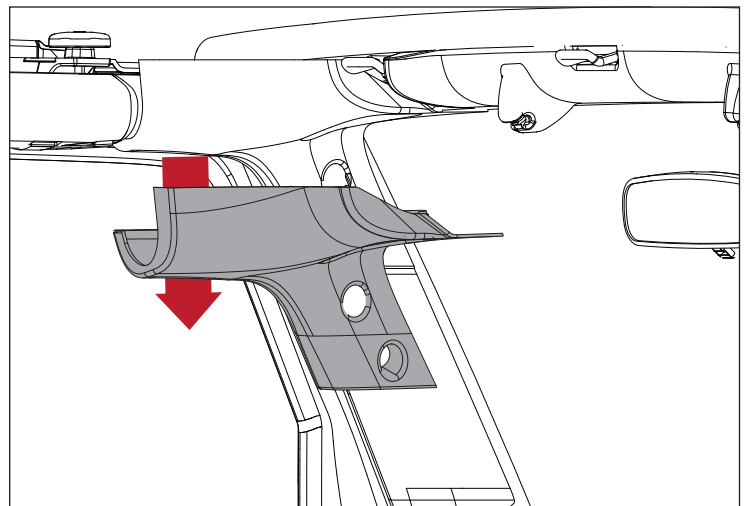
1. Using T20 Torx head screwdriver, remove sun visor mounting screws.



2. Remove side plastic Phillips head retainer clip from upper side window trim.

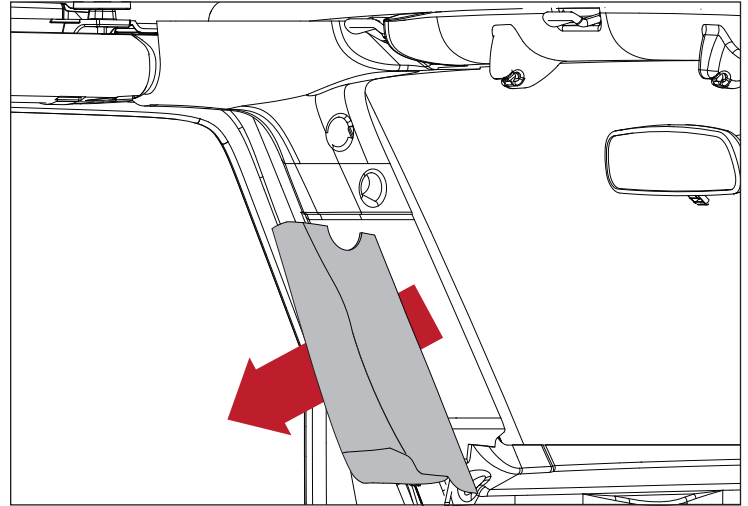


3. Remove upper trim from windshield frame.

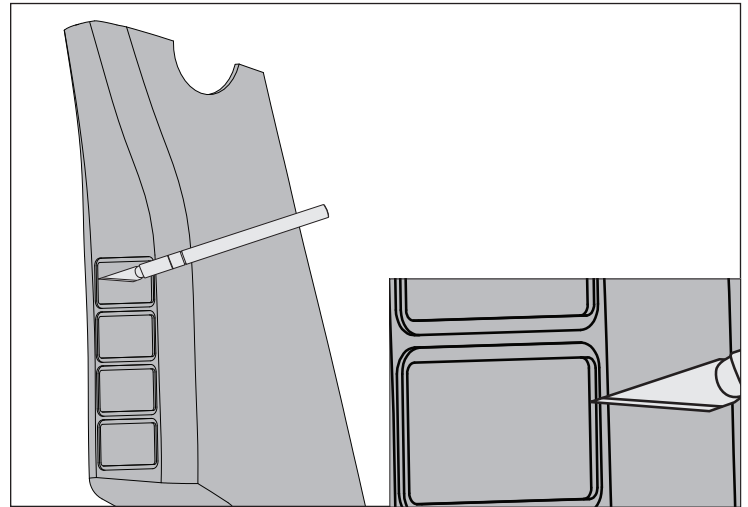


JK A-Pillar Switch Pod

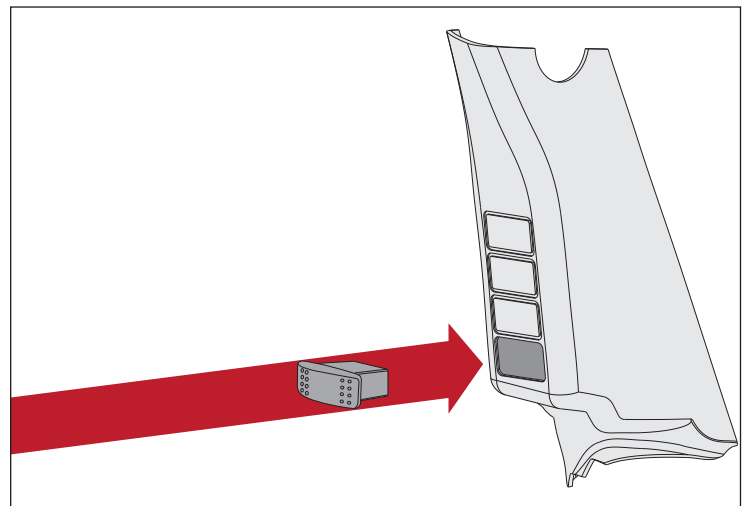
4. Remove lower A-pillar trim from window frame.



5. Using hobby knife, cut opening(s) for switches. Score inside of outlines before cutting all the way through. If needed, blade can be heated to aid in cutting.

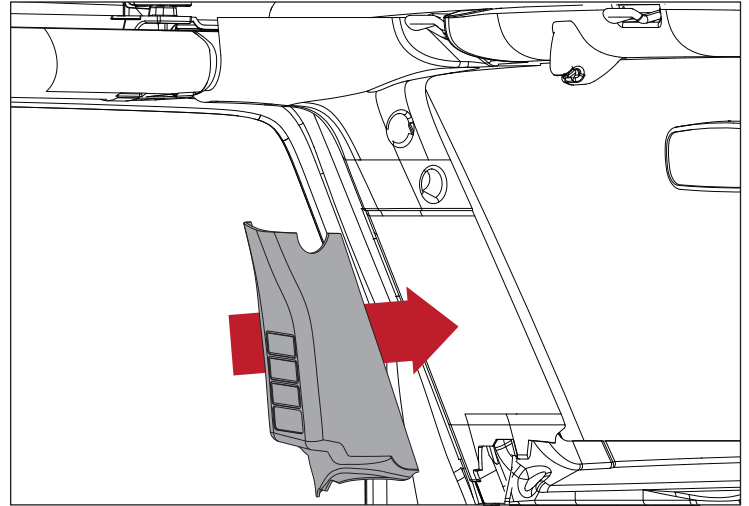


6. Insert switch into opening, cutting material as needed for a tight fit.



JK A-Pillar Switch Pod

7. Align pegs of Switch Pod with corresponding holes in A-pillar. Once aligned, snap into place.



8. Reinstall upper windshield trim removed in Step 2. If pod moves when door is closed, reposition until movement has stopped.

9. Reinstall sun visor with original mounting screws.

