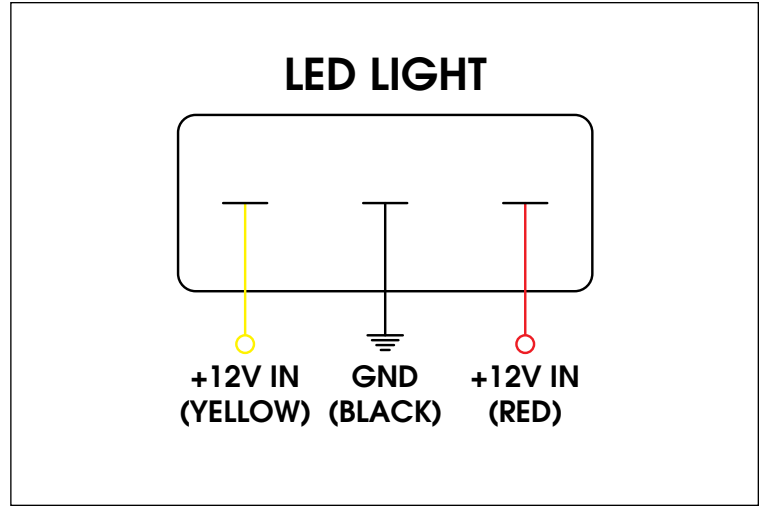




Part # 15209.30
15209.31

Dual Beam LED Light

1. Wiring diagram for Dual Beam LED Light shown on right. Yellow wire powers amber running lamp. Red wire powers LED light. For detailed wiring diagram, see Step 3 if using a Rugged Ridge two position switch or Step 4 if using a Rugged Ridge three position switch.

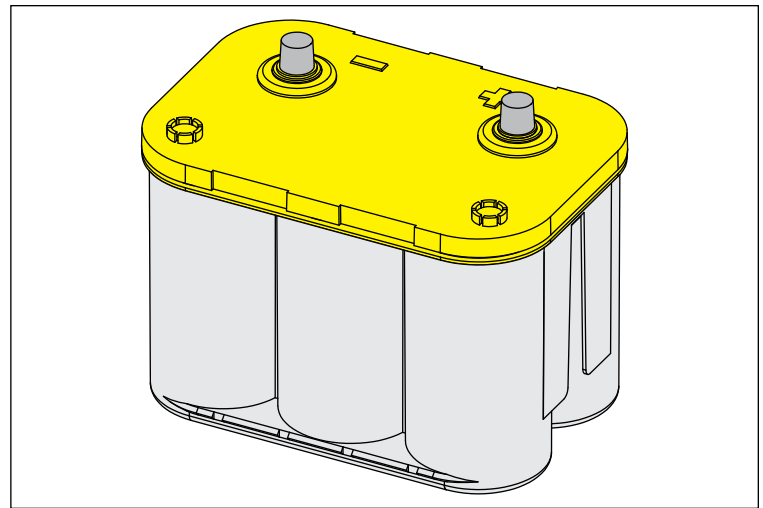


2. Disconnect battery by removing negative terminal first, then positive.



WARNING

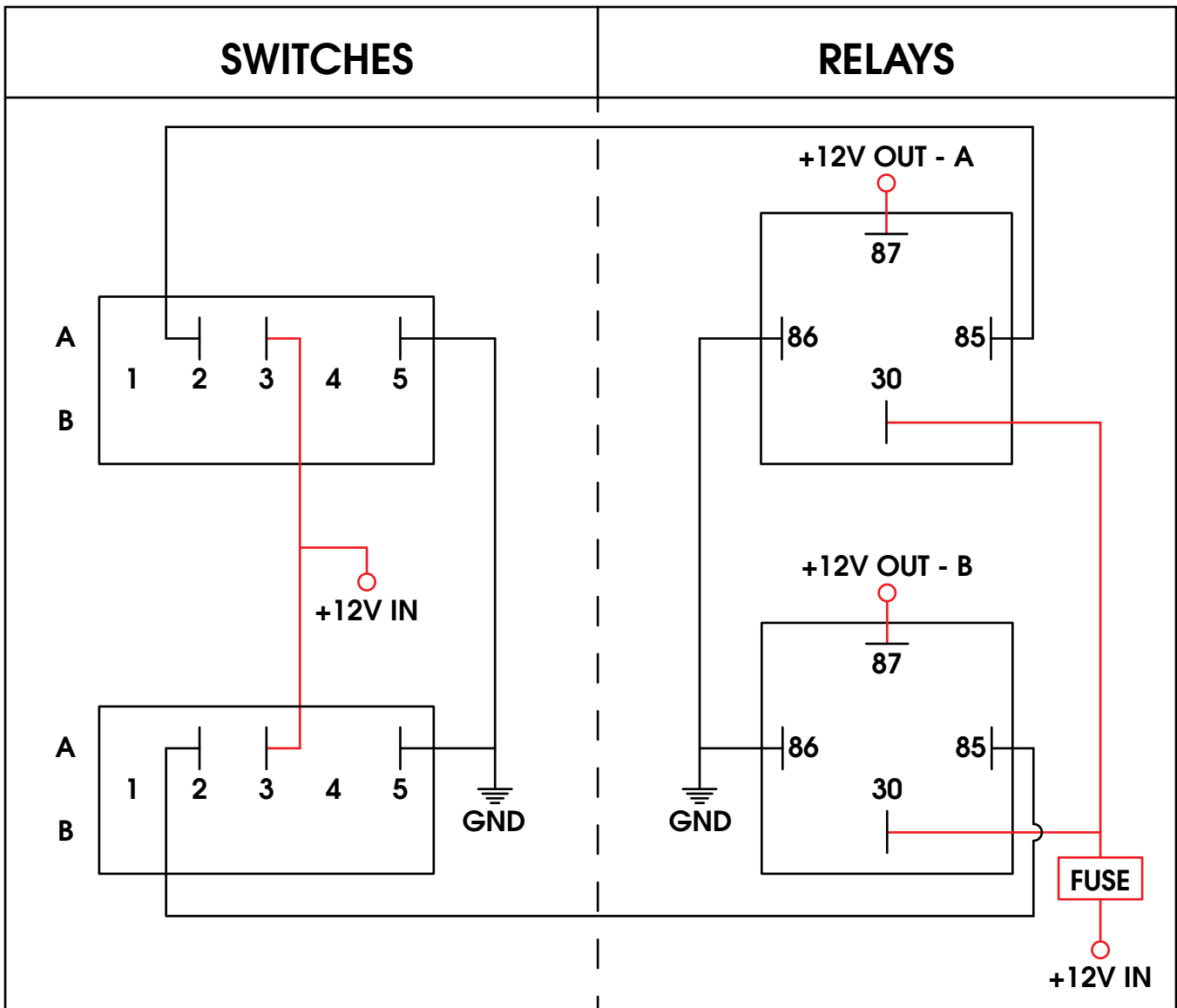
When removing battery cables do not touch positive and negative terminals together.





Dual Beam LED Light

3. Using two 30A relays and two position switches, wire relays and switches as shown below.
- Connect yellow wire (+12V IN) on Dual Beam LED Light to pin 87 (+12V OUT - A) on first relay.
 - Connect red wire (+12V IN) on Dual Beam LED Light to pin 87 (+12V OUT - B) on second relay.
 - Connect +12V IN from two relays to a properly rated fuse before connecting to power source.
 - Connect +12V IN from two switches to power source.
 - Ground all GND connections to the chassis.
 - Reconnect battery terminals.





Dual Beam LED Light

4. Using two 30A relays and one three position switch, wire relays and switches as shown below.

- Connect yellow wire (+12V IN) on Dual Beam LED Light to pin 87 (+12V OUT - A) on first relay.
- Connect red wire (+12V IN) on Dual Beam LED Light to pin 87 (+12V OUT - B) on second relay.
- Connect +12V IN from two relays to a properly rated fuse before connecting to power source.
- Connect +12V IN from switch to power source.
- Ground all GND connections to the chassis.
- Reconnect battery terminals.

