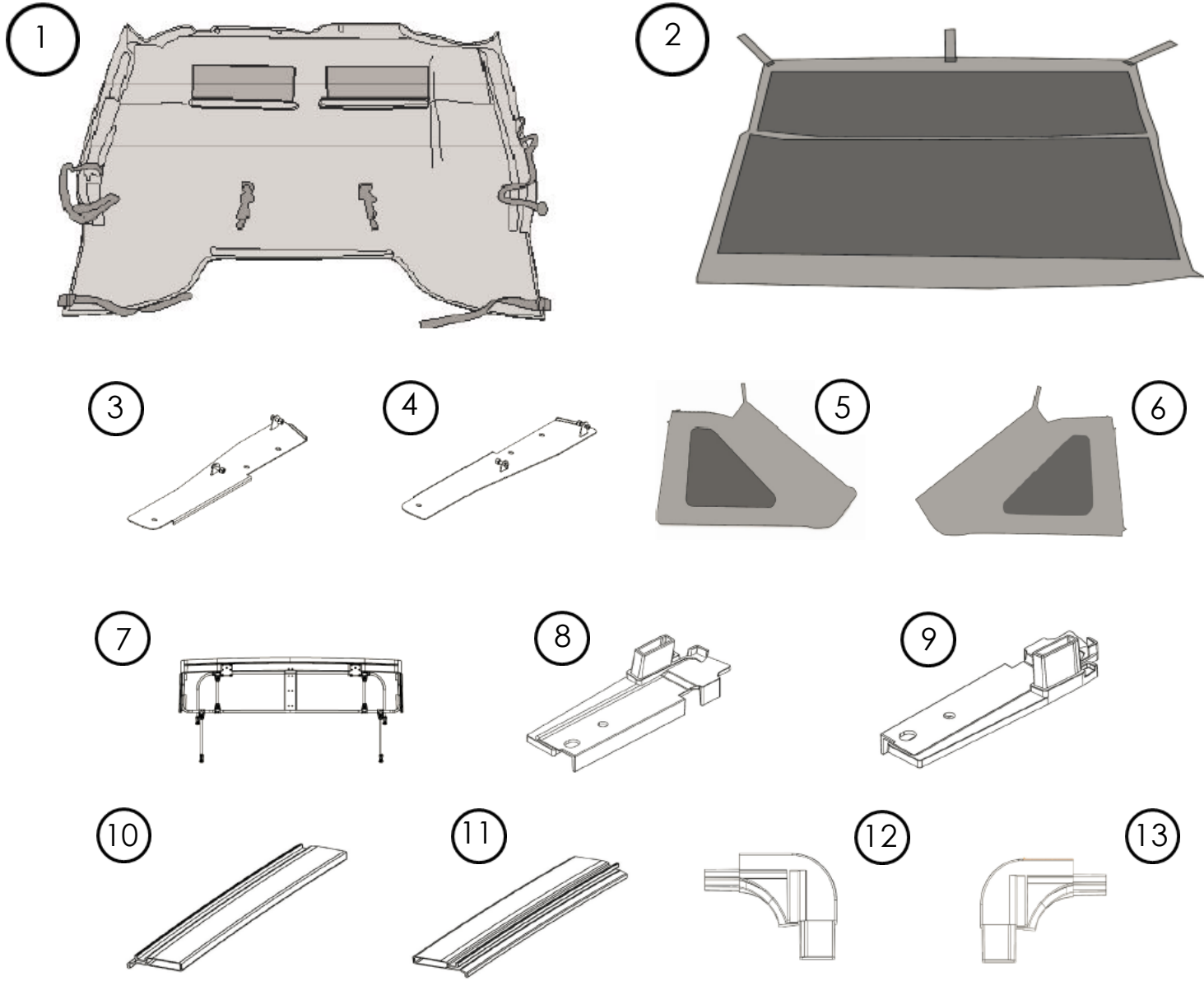


Voyager Top, JL



Components

- | | |
|--|-------------------------------------|
| 1. Voyager Main Deck.....(1) | 8. LH Upright Lower Plastic.....(1) |
| 2. Rear Window.....(1) | 9. RH Upright Lower Plastic.....(1) |
| 3. LH Door Surround Mounting Plate.....(1) | 10. LH Upright.....(1) |
| 4. RH Door Surround Mounting Plate.....(1) | 11. RH Upright.....(1) |
| 5. Left Side Window.....(1) | 12. LH Upper Corner Plastic.....(1) |
| 6. Right Side Window.....(1) | 13. RH Upper Corner Plastic.....(1) |
| 7. Flip Top Header Assembly.....(1) | |



OMIX-ADA, Inc.

Voyager Top, JL



1



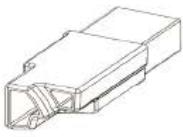
2



3



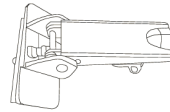
4



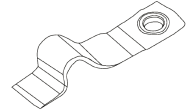
5



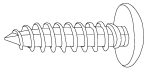
6



7



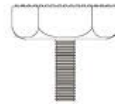
8



9



10



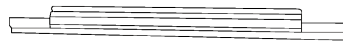
11



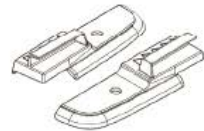
12



13



14



15

Components

1. Door Surround Front Bracket.....(2)	9. Pan Head Self-Tapping Screw.....(48)
2. Door Surround Rear Bracket.....(2)	10. Allen Wrench.....(2)
3. LH Front Door Bar.....(1)	11. Door Surround Knob - Short M8X30.....(2)
4. RH Front Door Bar.....(1)	12. Upright Turn Knob.....(2)
5. LH Front Plastic Adaptor.....(1)	13. Door Surround Knob - Long M8X75.....(4)
6. RH Front Plastic Adaptor.....(1)	14. Tailgate Bar.....(1)
7. Front Latch.....(2)	15. Tailgate Mount.....(2)
8. Top Retention Strap.....(1)	



Voyager Top, JL

Pre-Installation Requirements

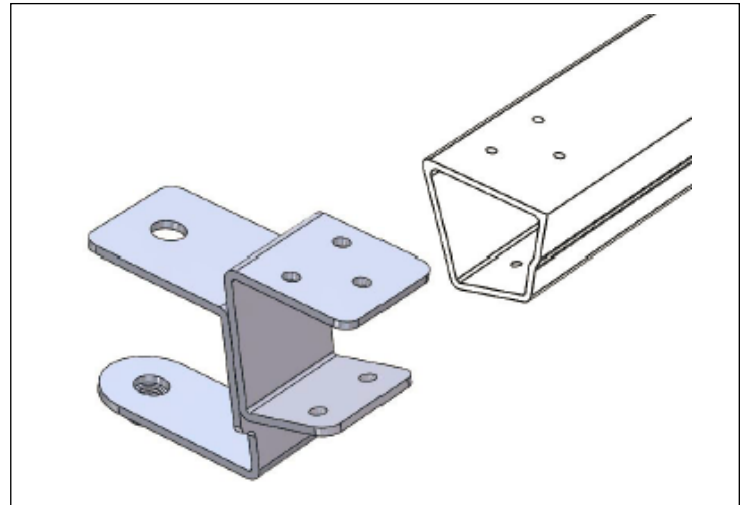
Remove existing hard or soft top. For OEM (original/factory) soft tops, also remove:

- Windshield Header Bar
- Tube frame hardware from roll bar
 - Side Door surrounds
- Rear window, tailgate bar, tailgate clips

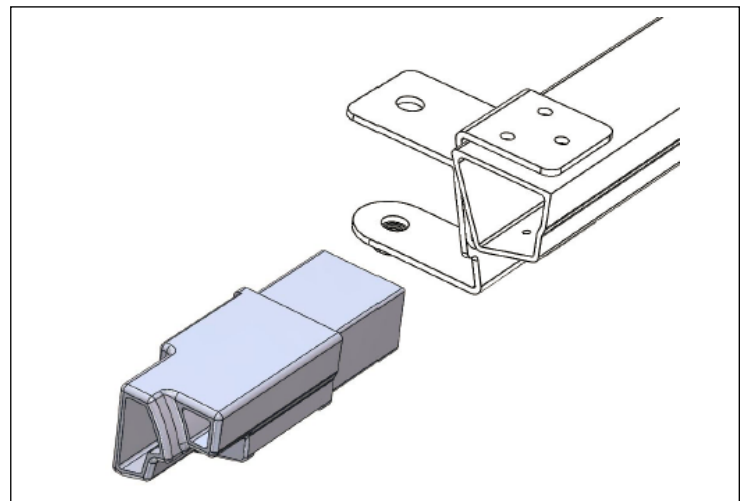
Important: For a smooth fit and ease of installation, this top should be installed at temperatures above 72 degrees.

Below this temperature, the fabric may contract an inch or more making it difficult to install. We highly recommend taking your new Top out of the package and letting it sit inside a warm place or in direct sun light for 1-2 hours before you install the top. When warm, this top will install quickly.

1. Install driver's door surround. Slide Door Surround Front Bracket onto LH front door bar as shown below.



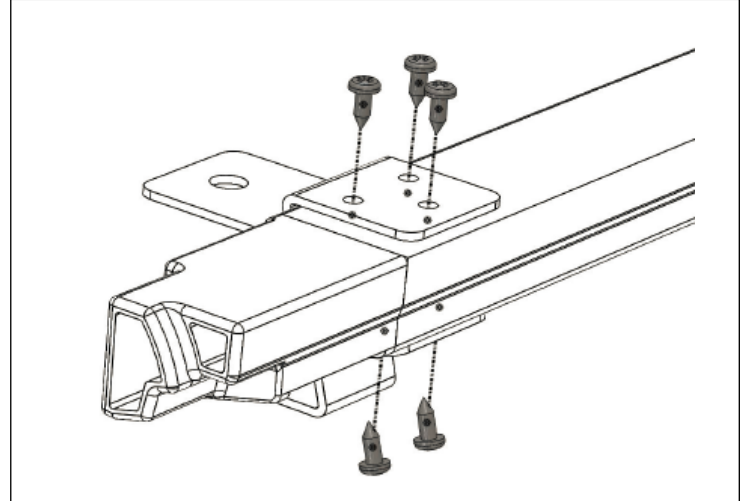
2. Push Front Plastic Adaptor into front door bar.



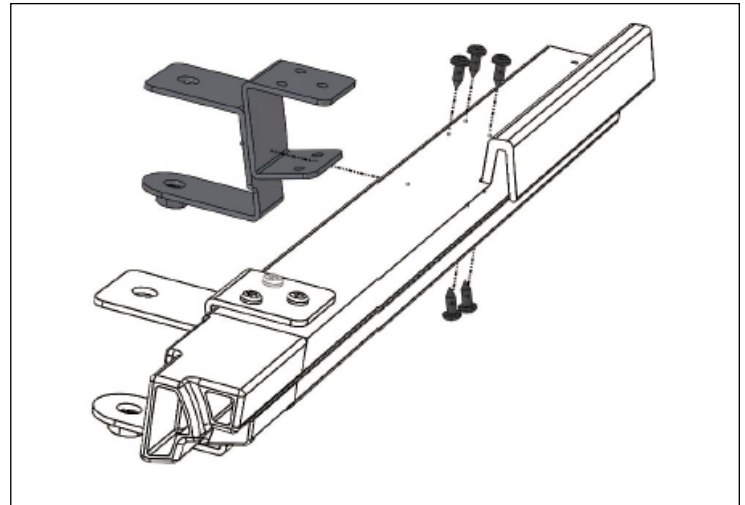


Voyager Top, JL

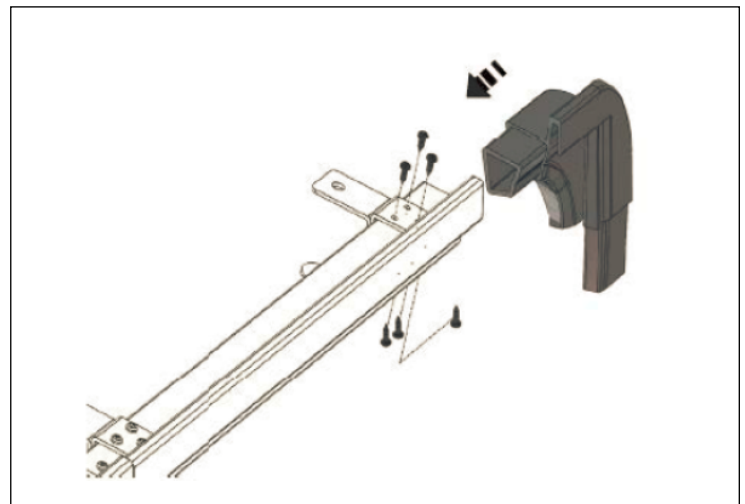
3. Secure all pieces with 5 self-tap screws.



4. Slide Door Surround Front Bracket (Middle) onto LH front door bar and secure with 5 self-tap screws.



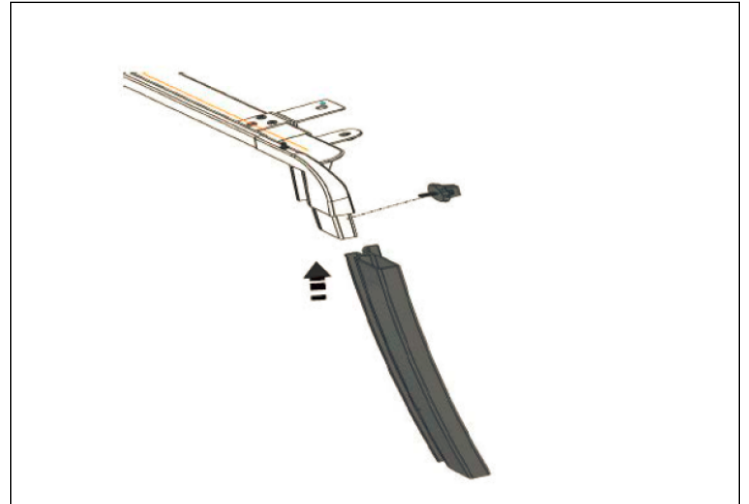
5. Install LH Upper Corner onto LH Rear Door Bar & secure all pieces with 6 self-tap screws.



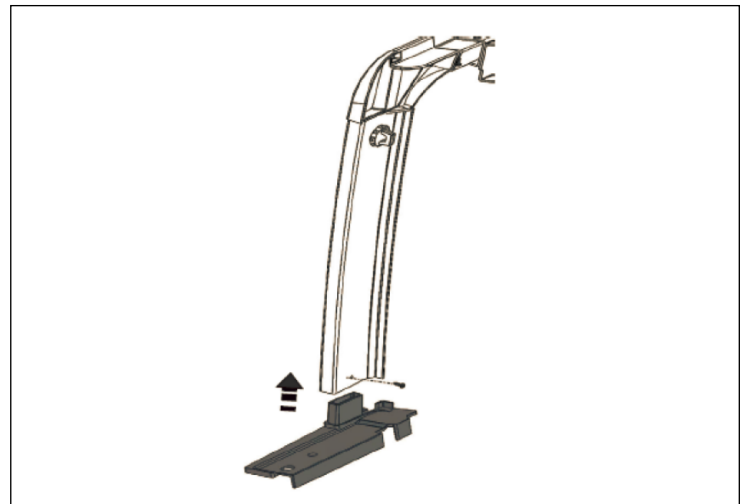


Voyager Top, JL

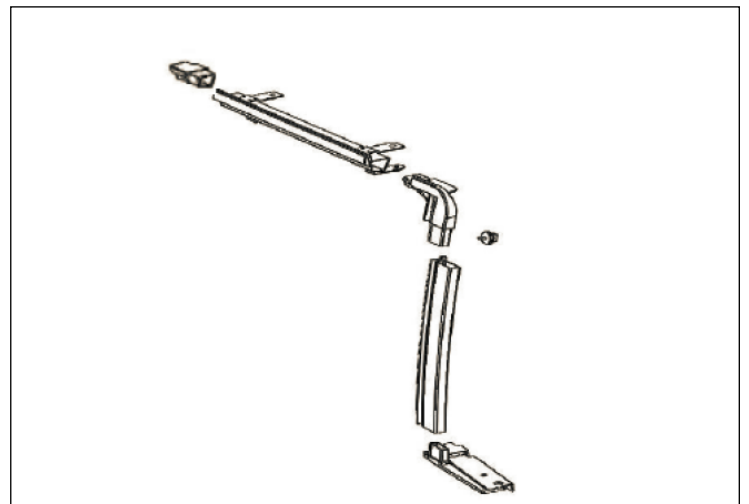
6. Install LH Upright onto LH Upper Corner and secure with Upright Turn Knob.



7. Install LH Upright Lower Plastic onto LH Upright and secure with 1 self-tap screw.



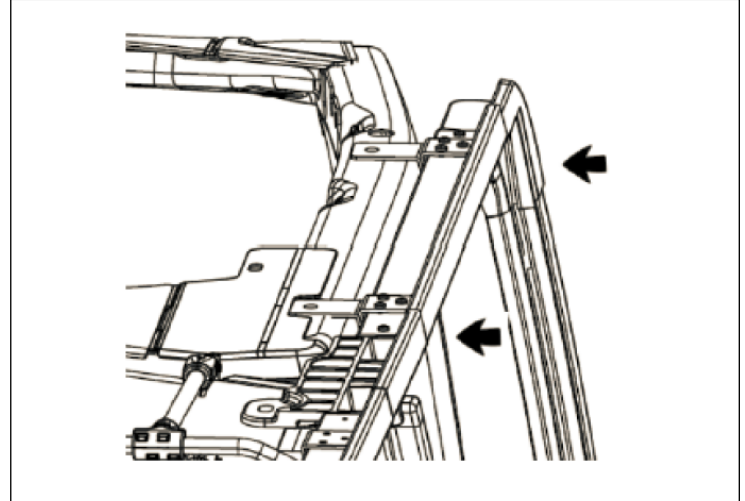
8. Repeat this section (steps 1-8) to assemble passenger's side door surround.



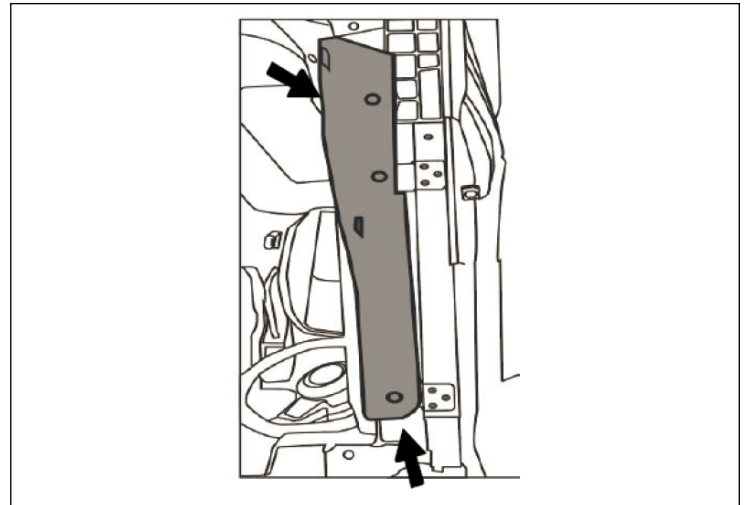


Voyager Top, JL

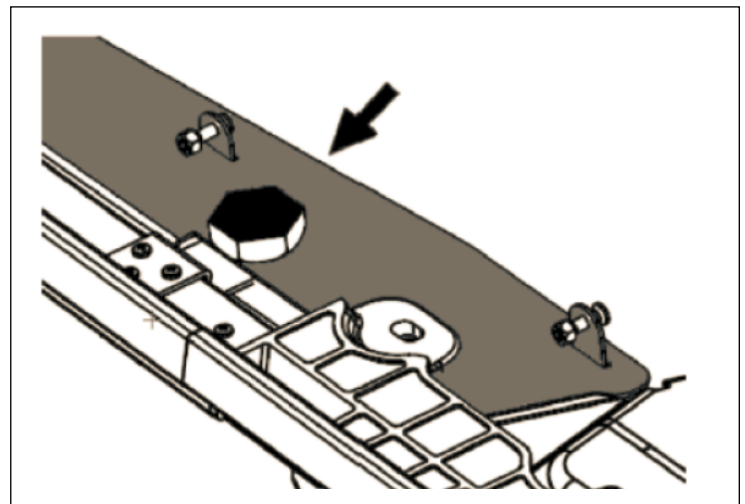
9. Position completed door surround onto the vehicle and fit the bracket over the roll bar.



10. Fit LH Door Surround Mounting Plate on top of door surrounds.



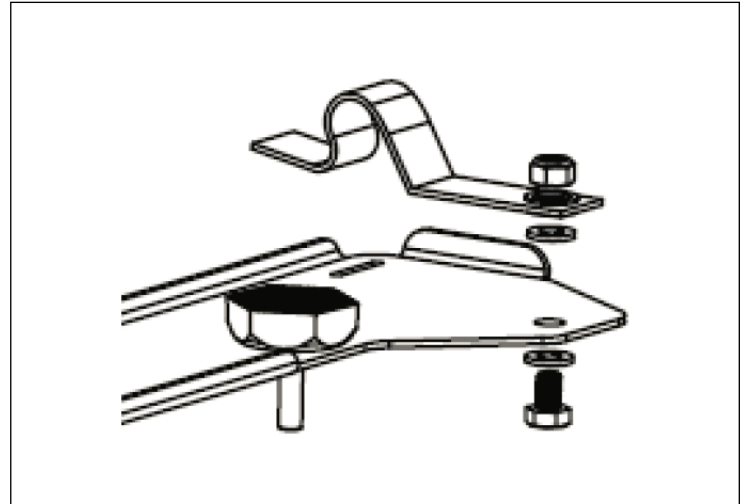
11. Secure the mounting plate to the roll cage using turn-knobs in the holes. Do not fully tighten knob yet.



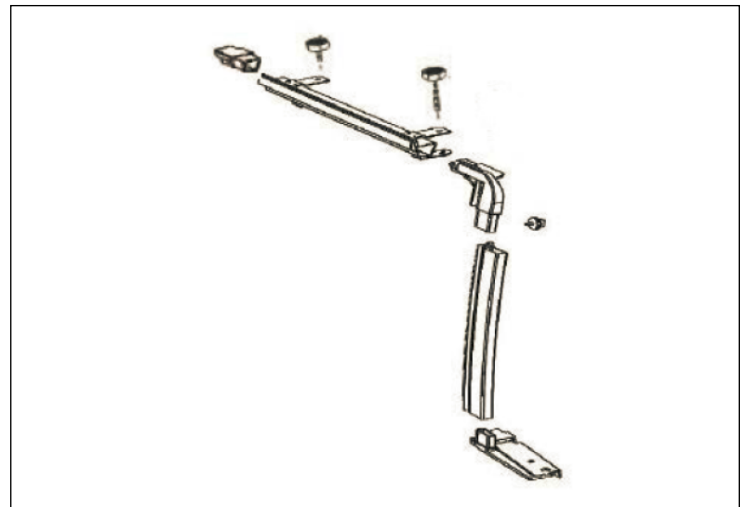


Voyager Top, JL

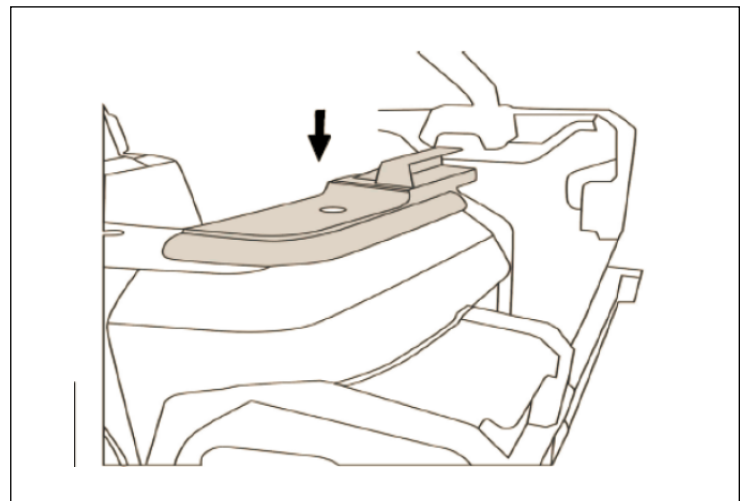
12. Fit top retention strap to driver side - between the hinge plate rear hole and the door surround bracket, and screw down with small knob.



13. Tighten all door surround knobs into door surround assembly at this time. Repeat steps 11 through 14 on passenger side.



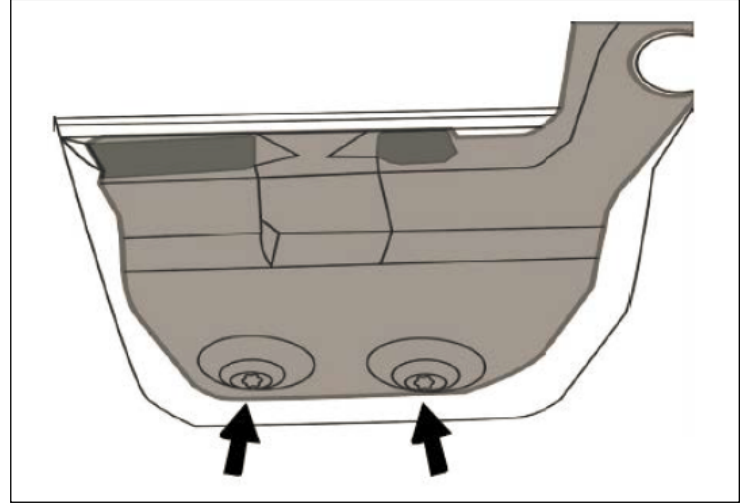
14. Attach the Tailgate Mount to the vehicle rail. Using one OEM Torx head screw. Insert the screw through the retainer, and into threaded holes in the top of the vehicle belt rail, and tighten. Repeat the same step to the passenger side.



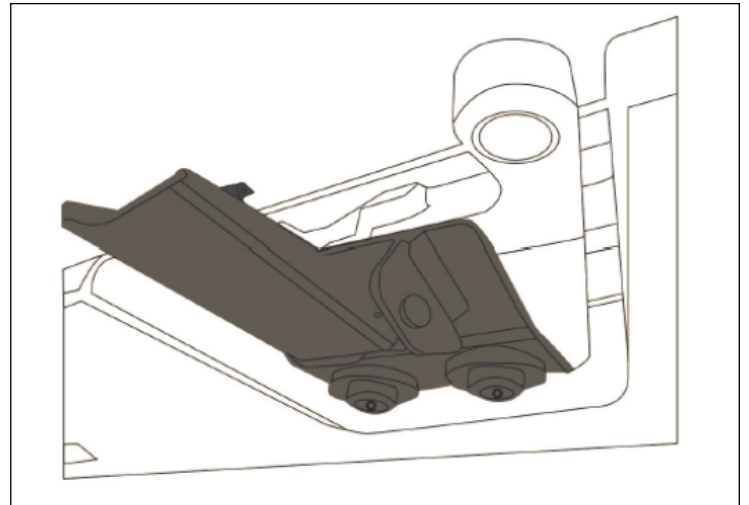


Voyager Top, JL

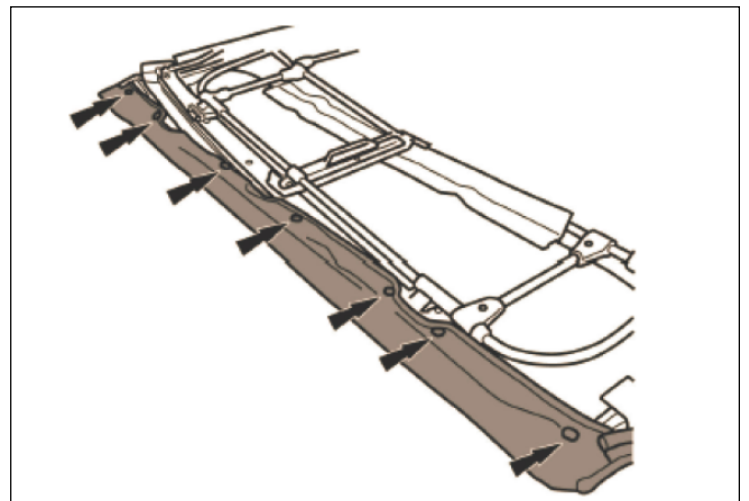
15. Using a Torx T40 bit to remove the latch bracket screws from the windshield on bottom the driver's and passenger's side. **Do NOT remove OE bracket.** Save screws for re-use.



16. Place provided latch as shown and reattach with the screws from the previous step. Do not tighten the screws and adjustment may be needed. Repeat steps 17-18 for the other side.



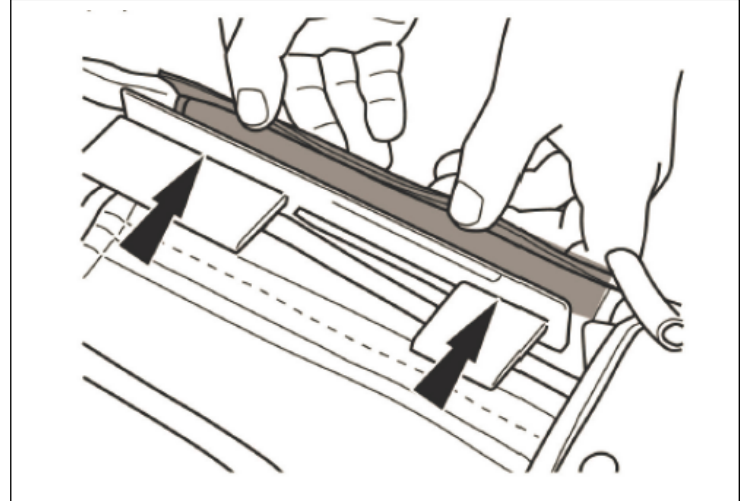
17. Fold back the hardware tubes of the header channel assembly then install the main deck fabric. Secure with snaps as shown.



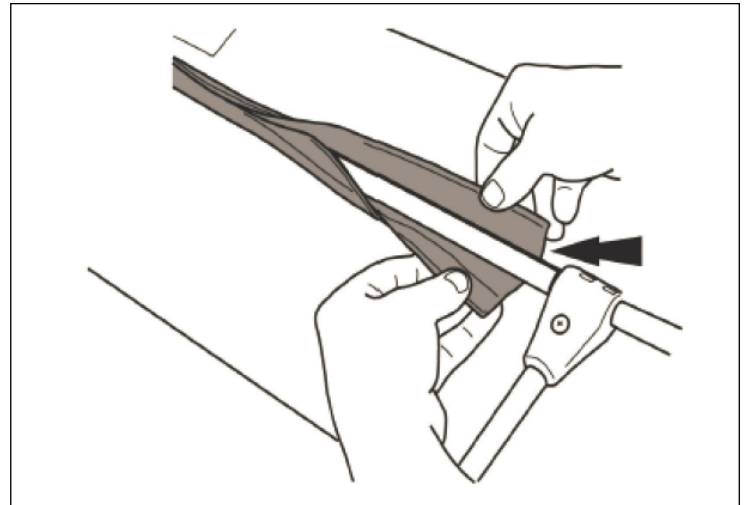


Voyager Top, JL

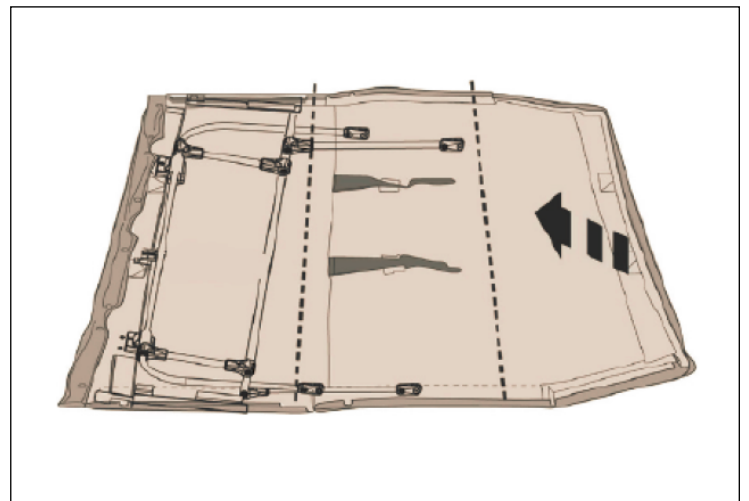
18. Tuck the plastic strip behind latches and along side rails. See photo for proper fit.



19. Secure the Flip Top Header Assembly to the Soft Top Deck by engaging the Hook and loop flap around the tube.



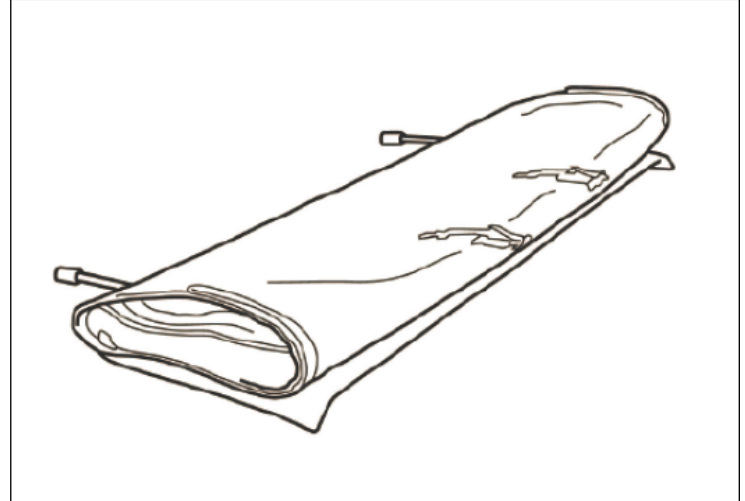
20. Roll up the Soft Top Deck to make installation to the Flip Top Plates more manageable.



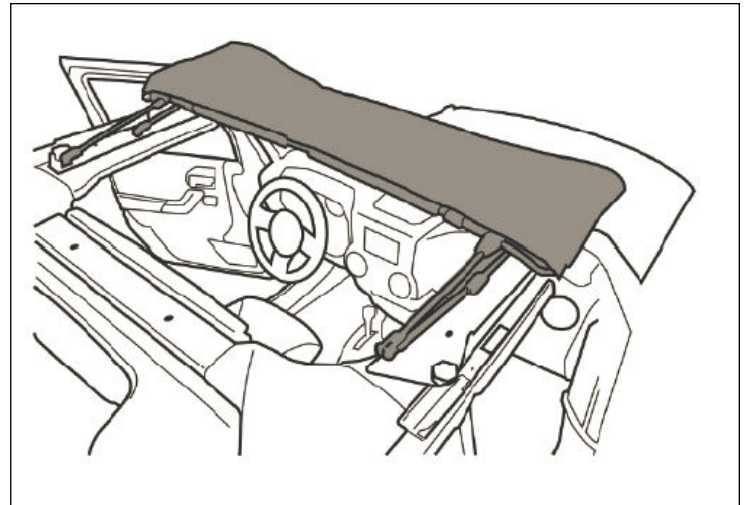


Voyager Top, JL

21. **TIP:** It may be helpful to have a second person for this step. Place the top face down and re-fold, beginning with the rear portion.

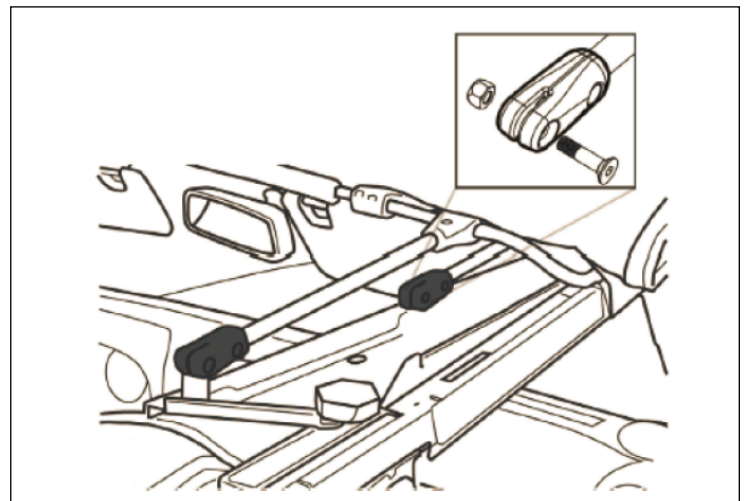


22. Lift the soft top and header channel assembly onto the windshield gasket.



23. Place pivot tubes over the mount hinge plate. Line up the brackets then secure with the counter-sink Allen head screw and nylon lock-nut.

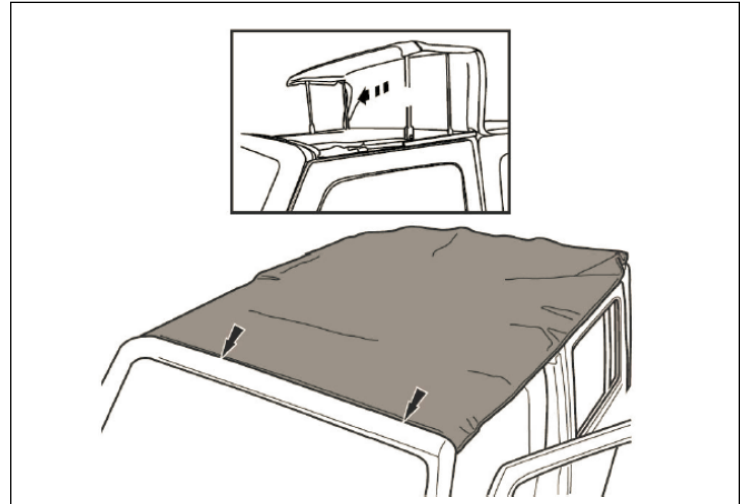
TIP: Lift up the main fabric for easier access to the brackets.



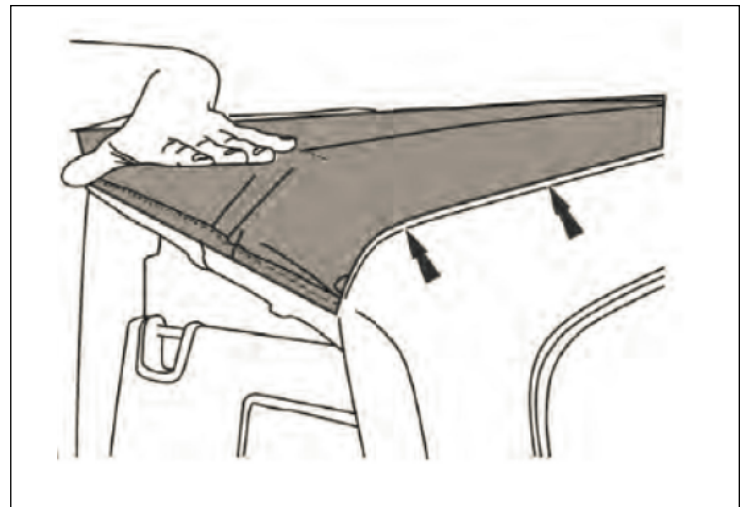


Voyager Top, JL

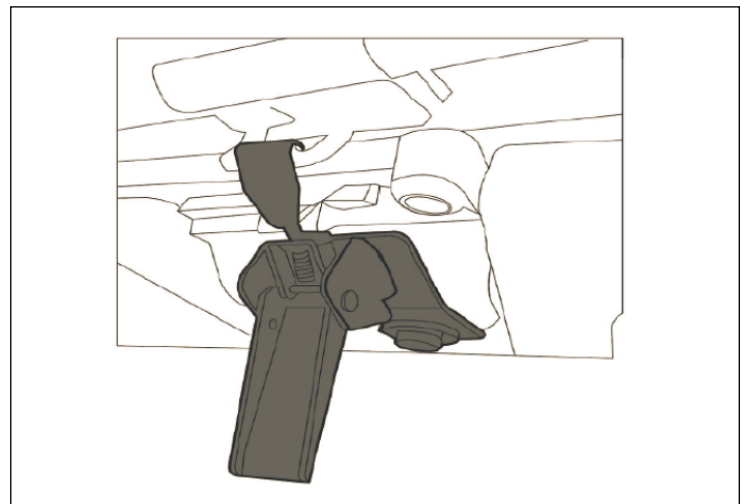
24. Unfold the soft top main deck fabric over the top of the roll cage and in place. Close the top toward the windshield.



25. Check the front edge to windshield edge lines up to windshield seal.



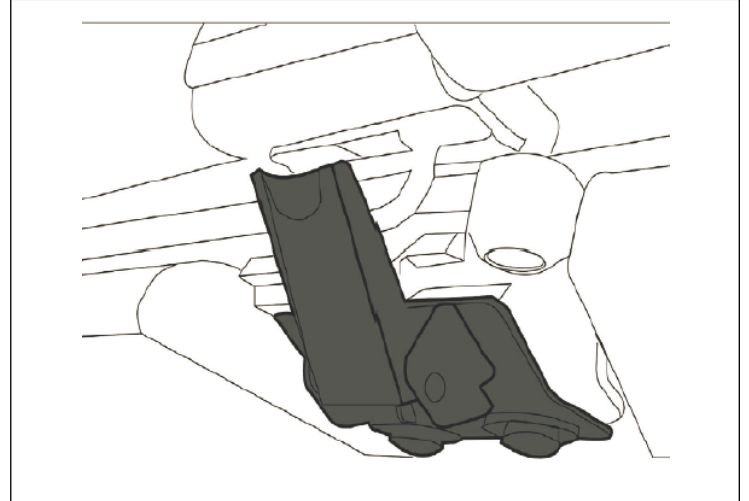
26. With both latches open as shown below, turn each hook until it grabs onto the soft top hoop with slight tension.



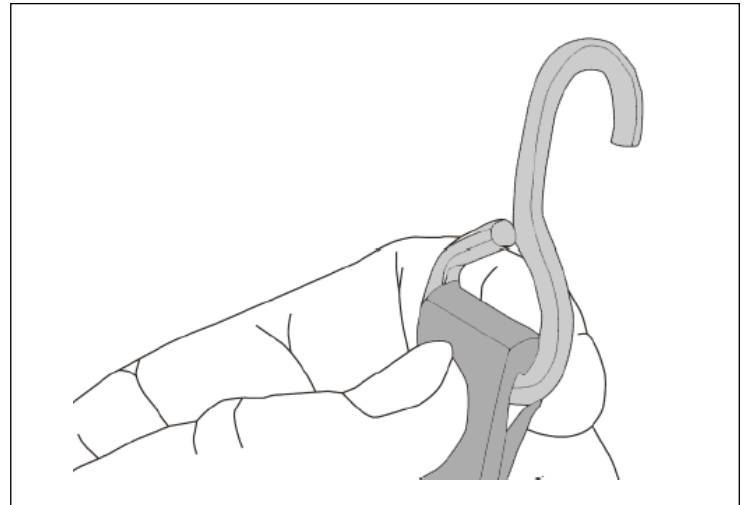


Voyager Top, JL

27. Close both latches and make sure both are snug, but not overly tight.

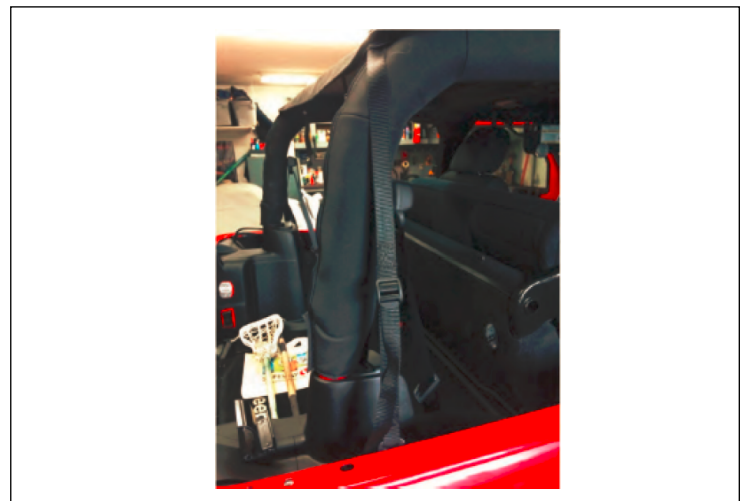


28. Wrap the 2 straps attached to the main section of fabric around the rear-middle of the sound bar. Hook into the holes of overhead brackets. Tighten the strap until snug.



29. Locate the ceiling adjustment straps at the corners of the ceiling panel. Wrap the straps around the roll bar and tub top rail toward the inside of the Jeep, then hook the strap adjust buckle.

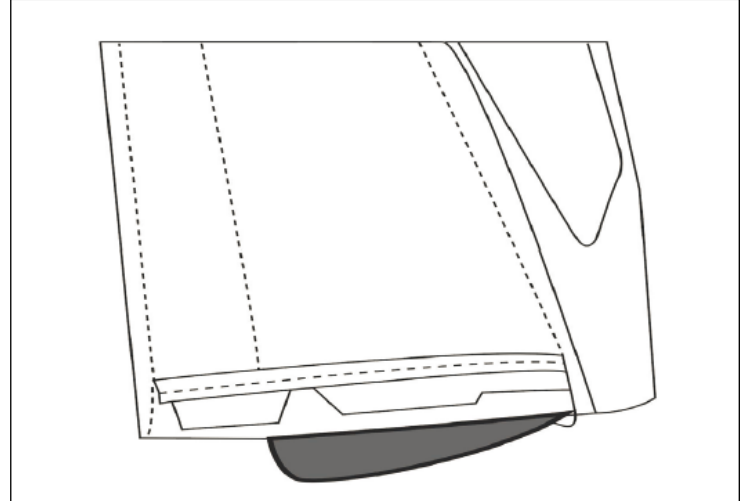
Tighten and repeat for the passenger side. Adjust each side to position the top evenly.



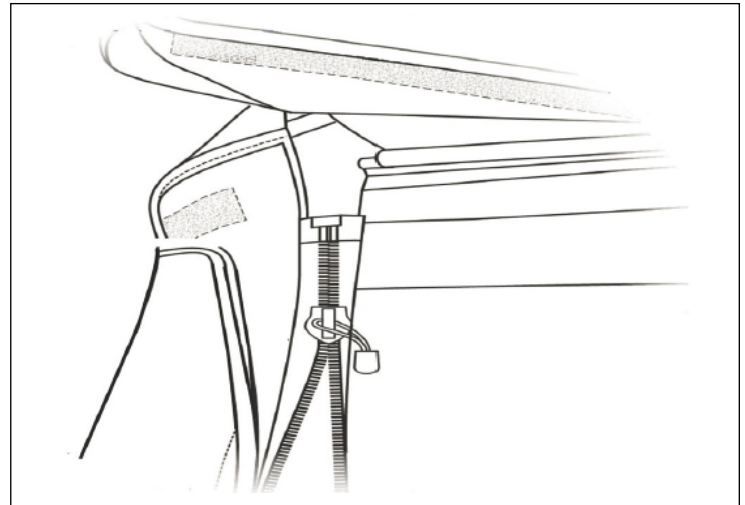


Voyager Top, JL

30. Insert the plastic stiffener into the fabric sleeve-pocket of side window. Repeat this on both sides of the side windows.

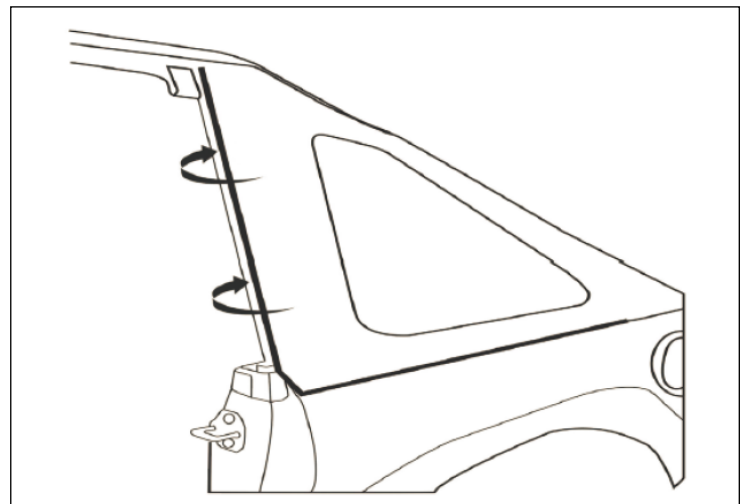


31. Lift up the corners of the top fabric to expose the zippers on the side and rear windows. Secure all windows to the Main Deck by zipping fully into place.



32. Locate the sewn-in plastic strip along the front edge of the Left Side Window.

Tuck the plastic strip into the vertical channel along the outside face of the LH Upright.

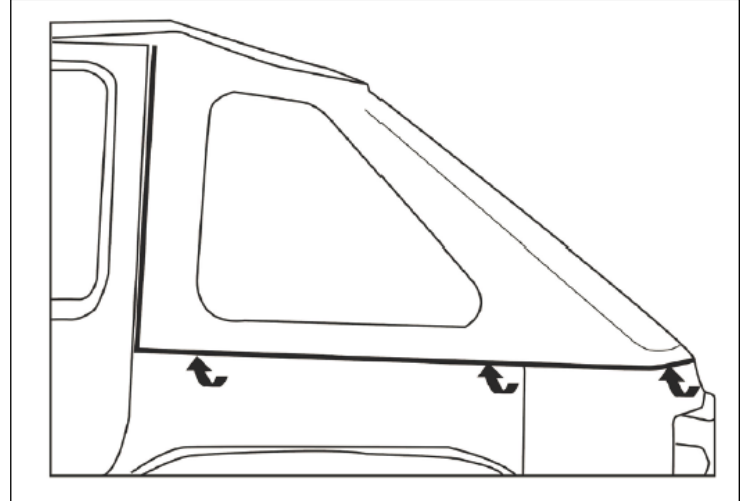




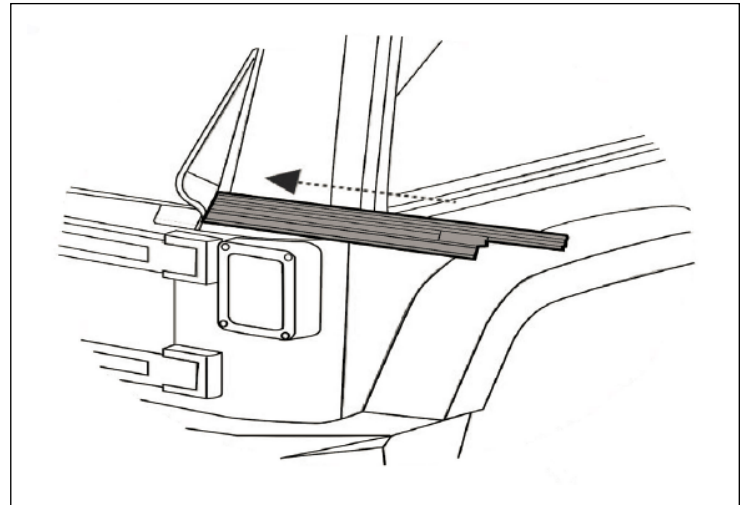
Voyager Top, JL

33. Tuck the plastic strip along the bottom edge of the Left Side Window under the vehicle belt rail, by rolling it up underneath the belt rail, beginning at the door, and working your way backward.

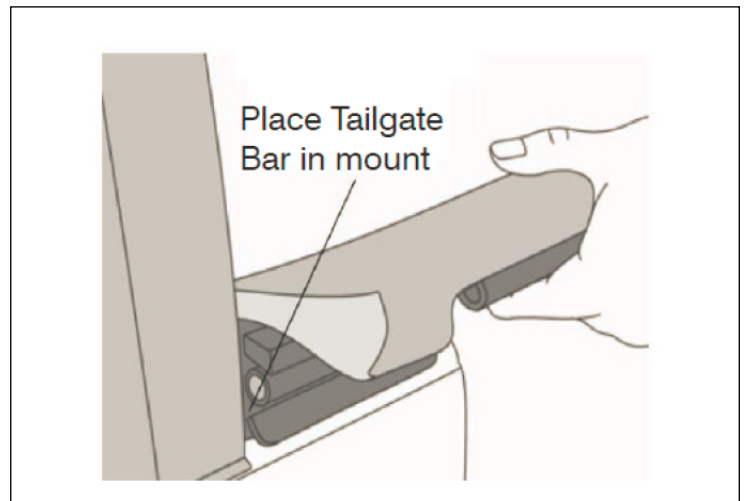
Repeat on the Right Side Window.



34. Slide the tailgate bar onto the bottom of the rear window.



35. Snap the tailgate bar into the mount by pushing the bar against the mounts and rotate tailgate bar downward.





Voyager Top, JL

Care and Cleaning

Rugged Ridge parts are built to last. Use mild soap and dry clean cloth to wash your Voyager Top.

Do not use any harsh abrasive detergents or cleaning solvents of any kind.

Periodically check and lubricate moving parts.