

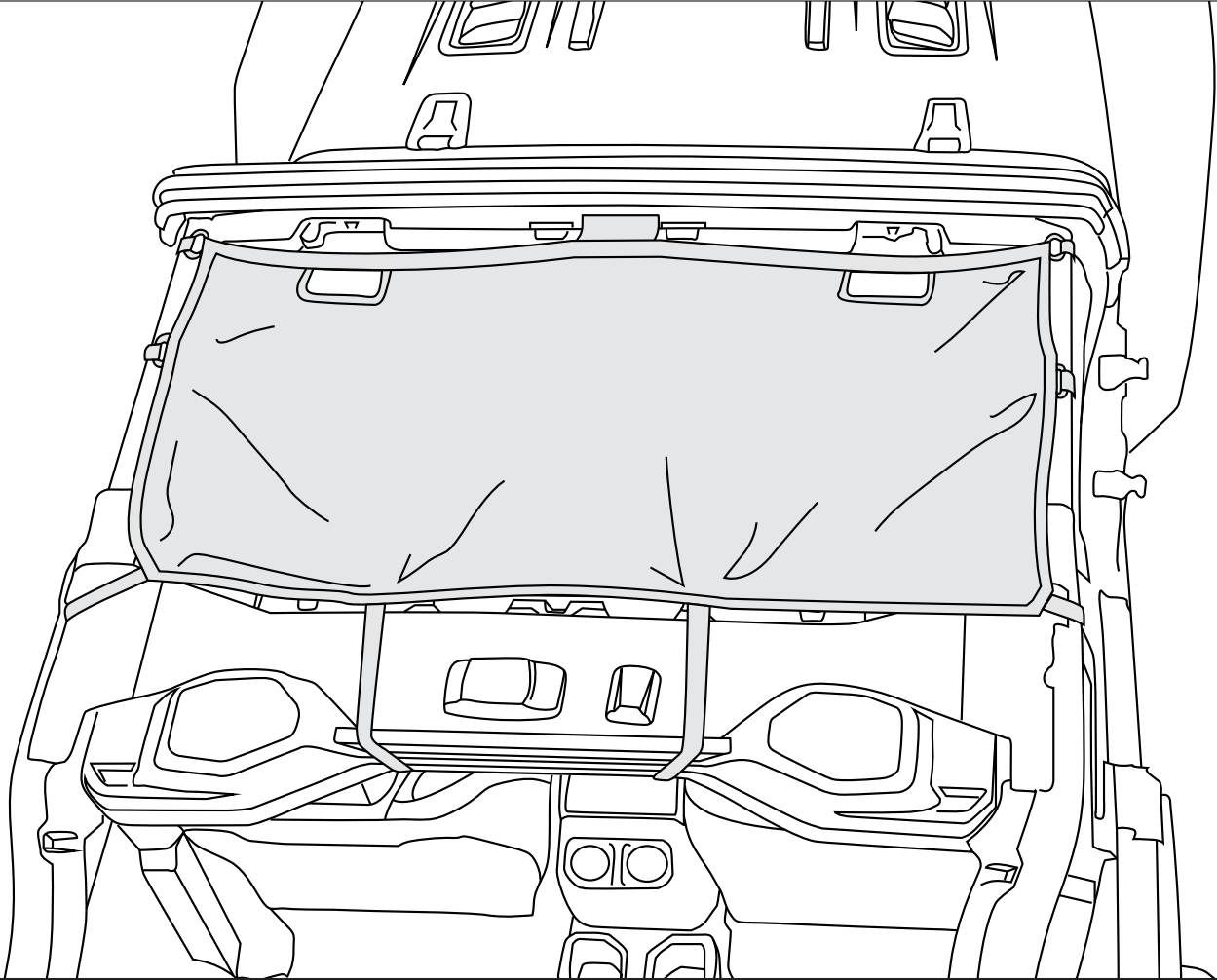


OMIX-ADA, Inc.



Part #13579.73

# Eclipse Sun Shade for Wrangler JL Hardtop



## Components

- |                          |     |                     |     |
|--------------------------|-----|---------------------|-----|
| 1. Sun Shade .....       | (1) | 3. Loop Strip ..... | (1) |
| 2. Mesh Storage Bag..... | (1) |                     |     |

The Eclipse Sun Shade has been designed to work for 2dr and 4dr models. Design allows shade to remain in place with soft top closed. Eclipse shade has been supplied with a mesh storage bag. Bag and Shade can be stored in either the center console or glove box.



## Eclipse Sun Shade for Wrangler JL Hardtop

1. Fold OE soft top or remove OE hardtop. Refer to owner's manual.

2. Loosely position Sun Shade on top of sport bar with hook and loop section forward. Attaching material of hook and loop section should face downward.

3. Clean center of windshield frame thoroughly with alcohol. Peel and stick Loop Strip to windshield frame avoiding contact with interior plastic panel.

4. Attach Sun Shade hook and loop section to the attached Loop Strip.

5. In an alternating pattern, secure Sun Shade by looping straps around sport bar. DO NOT fully tighten at this time. Once all straps are secure, repeat the pattern and pull tight.

**NOTICE** On side locations, make sure straps only wrap around sport bar and not door surrounds.

