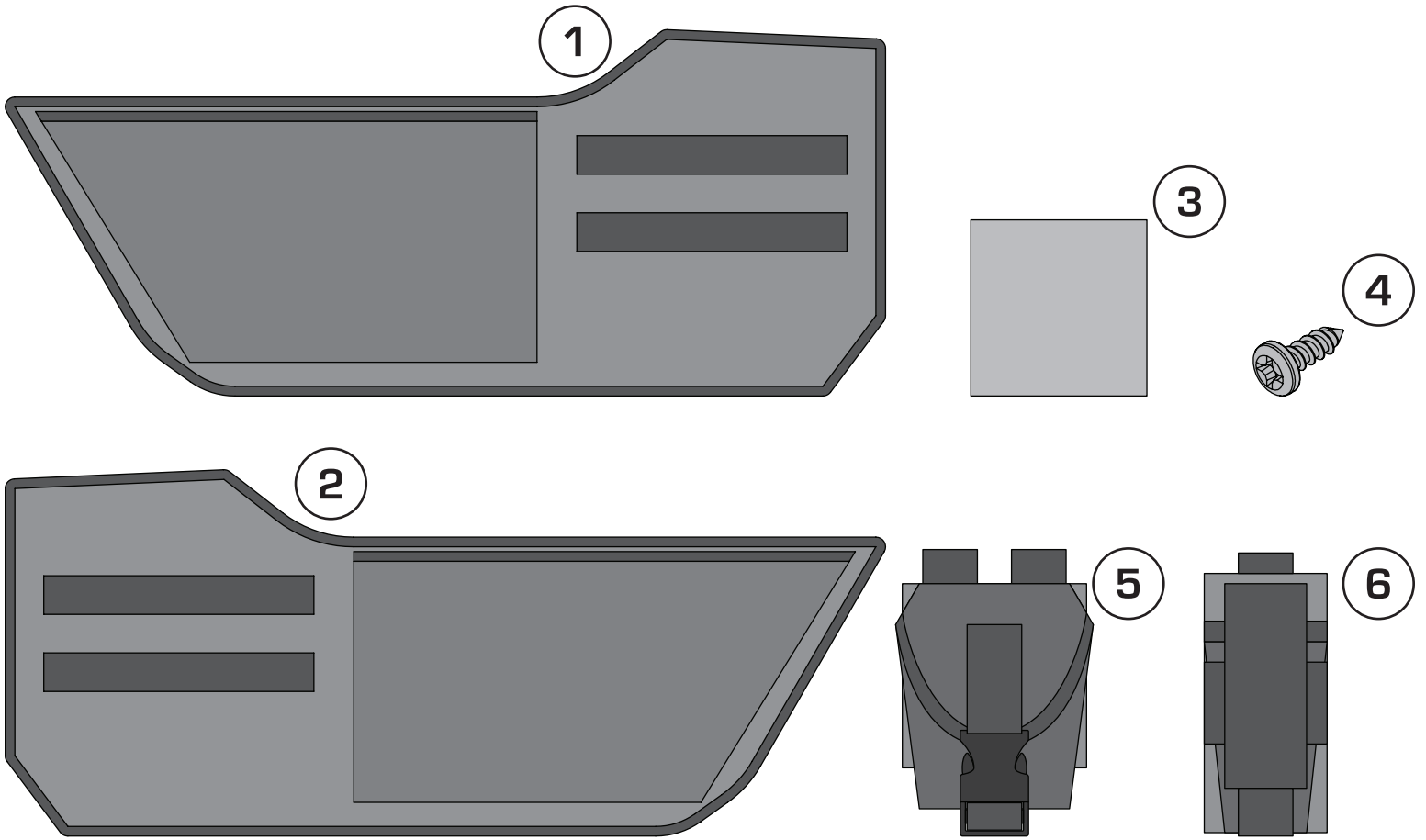




# Door Storage Panels



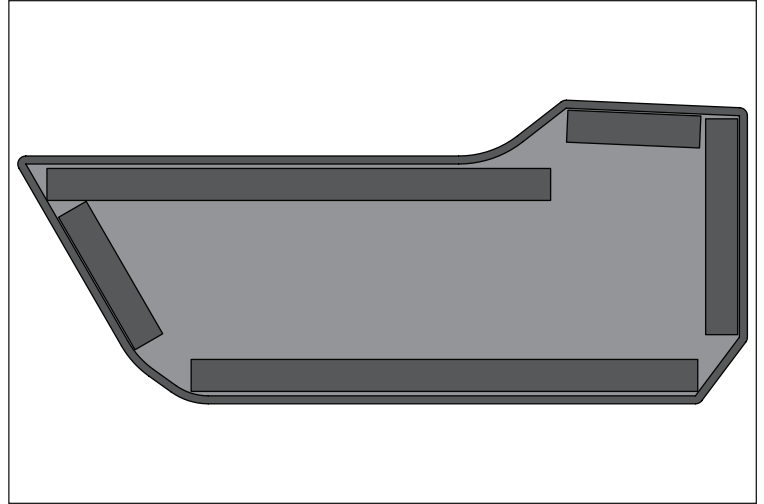
## Components

- |                                 |     |                       |      |
|---------------------------------|-----|-----------------------|------|
| 1. Driver Side Storage Panel    | (1) | 4. Self Tapping Screw | (12) |
| 2. Passenger Side Storage Panel | (1) | 5. Large Pocket       | (2)  |
| 3. Adhesion Promoter            | (1) | 6. Small Pocket       | (2)  |

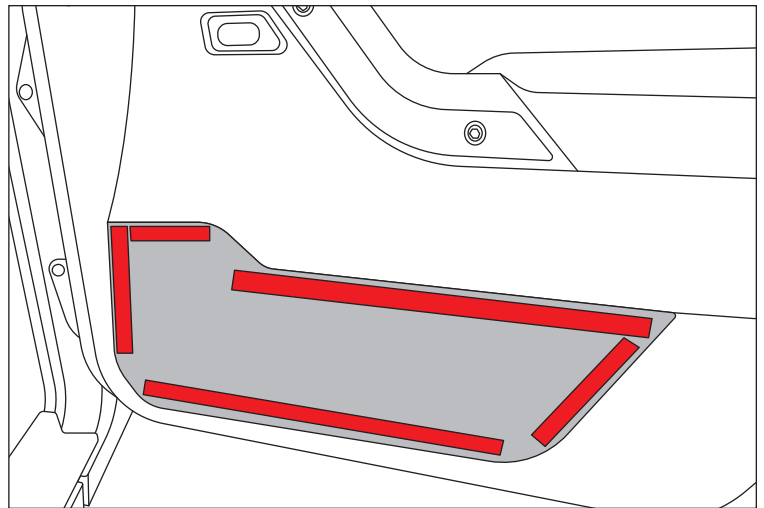


## Door Storage Panels

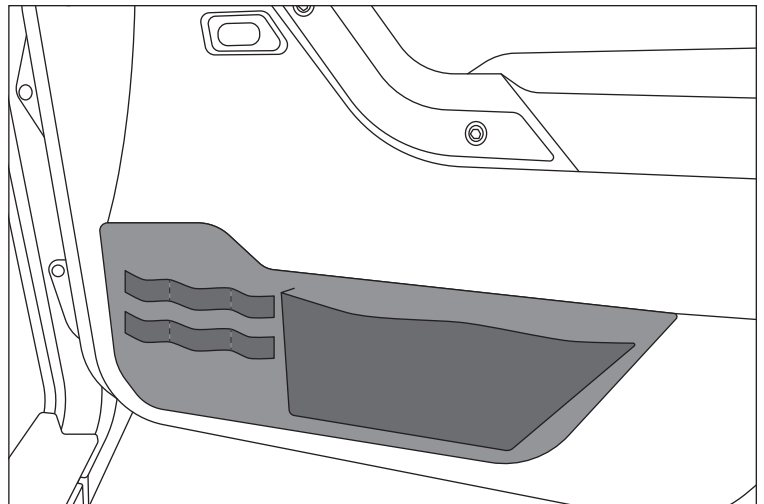
1. Attach corresponding hook and loop strips to back of door storage panels.



2. Clean lower area of door panel with isopropyl alcohol and apply adhesion promoter where hook and loop strips will tape to door. Allow 90 seconds for adhesion promoter to properly dry before continuing.



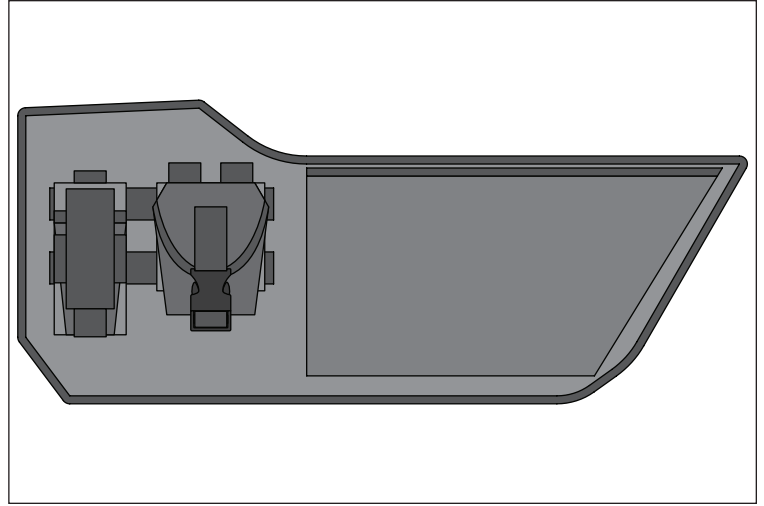
3. Remove backing of hook and loop strip and install on vehicle in area shown. Press and hold firmly for 30 seconds to ensure proper adhesion. Do not use door storage panels for first 24 hours to ensure proper adhesion. Repeat steps 2-3 for opposite side.





## Door Storage Panels

4. Install large and small pockets to door storage panels.



**5. OPTIONAL HARD MOUNT:**

Using supplied self tapping screws, fix door storage panel to door in areas shown.

