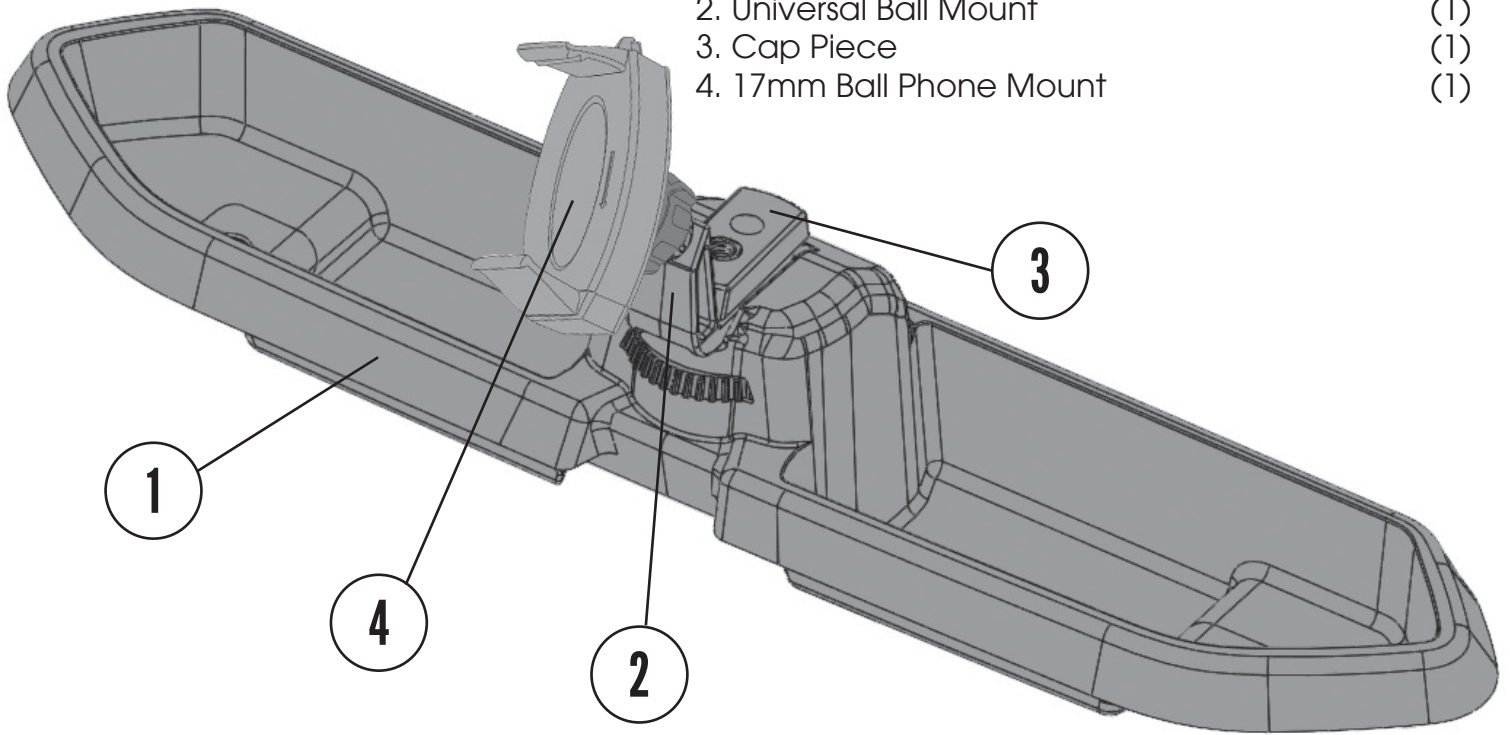


Dash Multi-Mount System for Wrangler JL

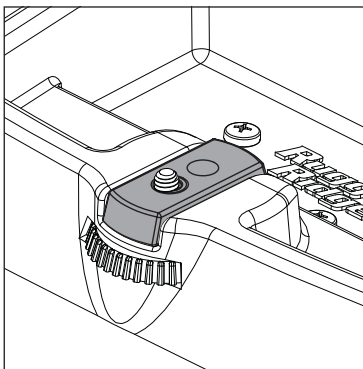
Components

- 1. Multi-Mount Tray (1)
- 2. Universal Ball Mount (1)
- 3. Cap Piece (1)
- 4. 17mm Ball Phone Mount (1)

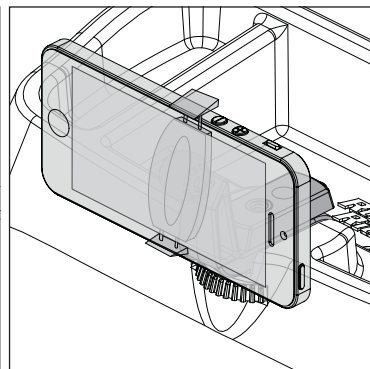


Four Configurations for Dash Multi-Mount System:

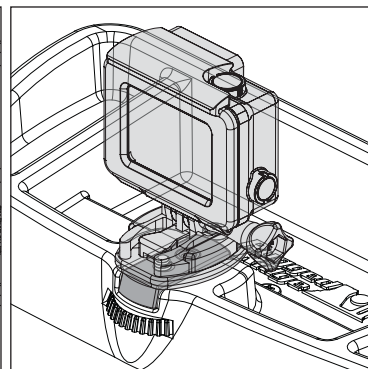
*Shown with Rugged Ridge Phone Mount (Part #13551.13)



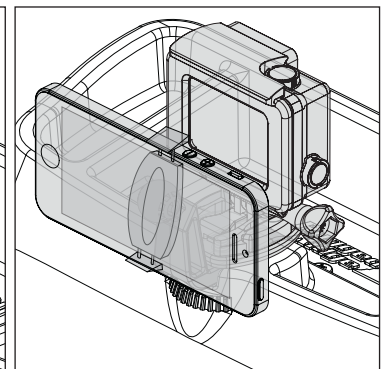
No Accessory



Phone/GPS Mount Only*



Camera/Tripod Mount Only



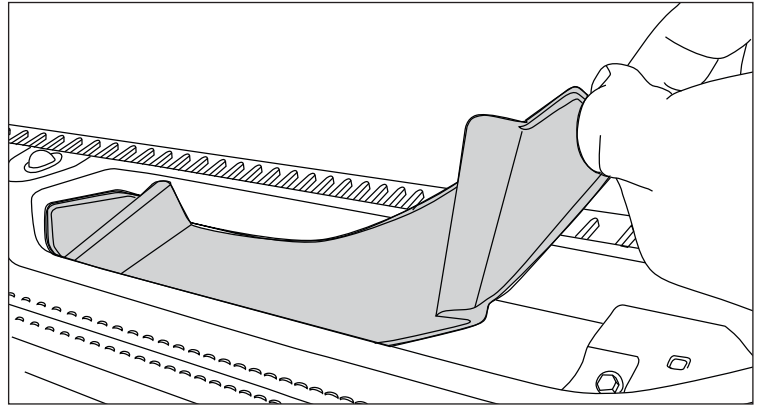
Phone and Camera Mount*



Dash Multi-Mount System for Wrangler JL

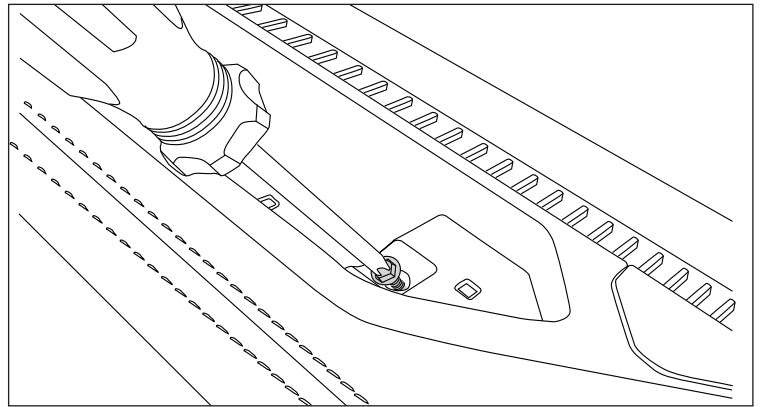
Step 1

Remove interior rubber liner. May need to pry a corner to lift.



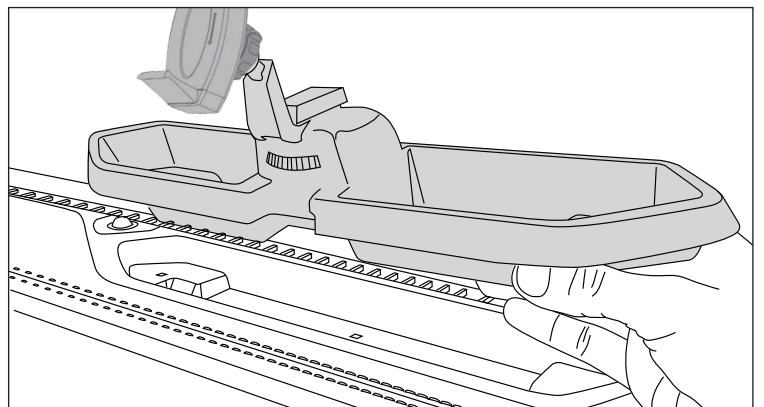
Step 2

Remove two Phillips screws from inside compartment.



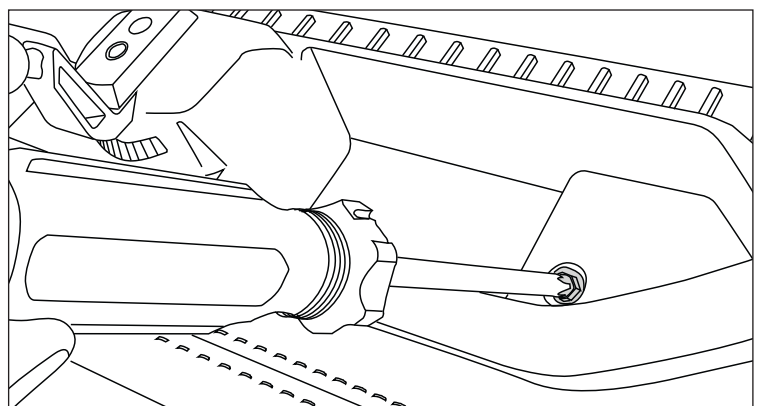
Step 3

Place Multi-Mount System into position. Assure area is completely clean before installing.



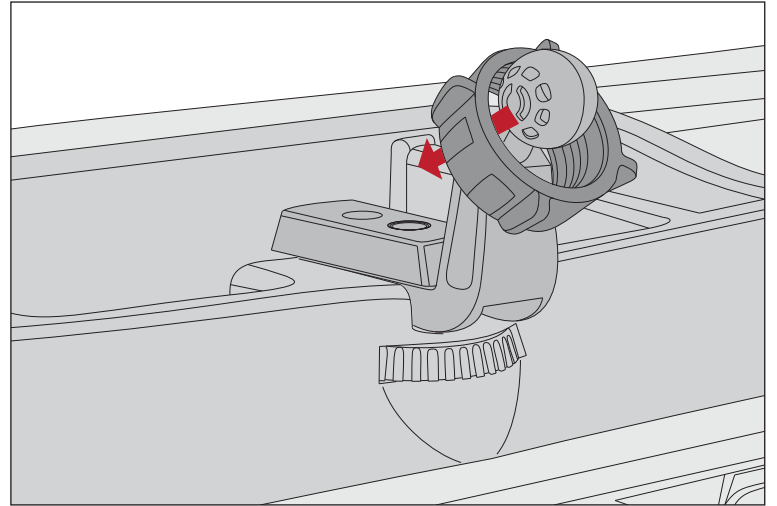
Step 4

Reinstall Phillips screws removed from step 2 through multi-mount system into the dash.

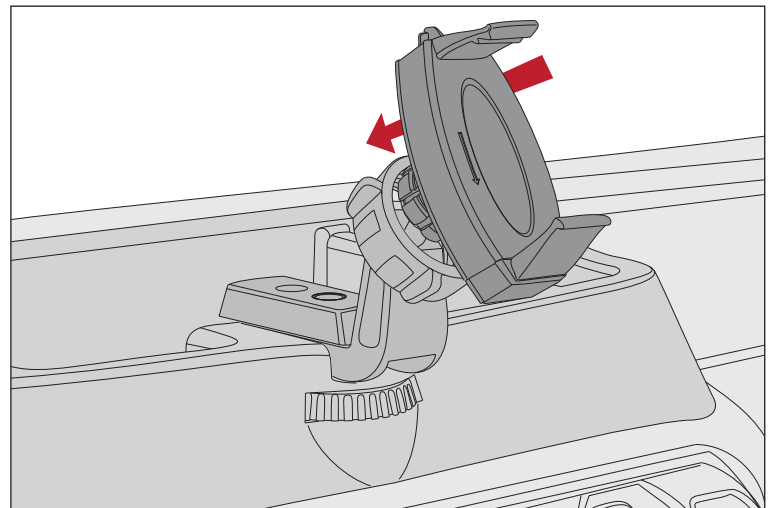


Dash Multi-Mount System for Wrangler JL

1. Place Outer Ring over end of Ball Mount.



2. Press Phone Mount adapter piece into Ball Mount.



3. Pull Outer Ring over Phone Mount adapter and twist to secure.

