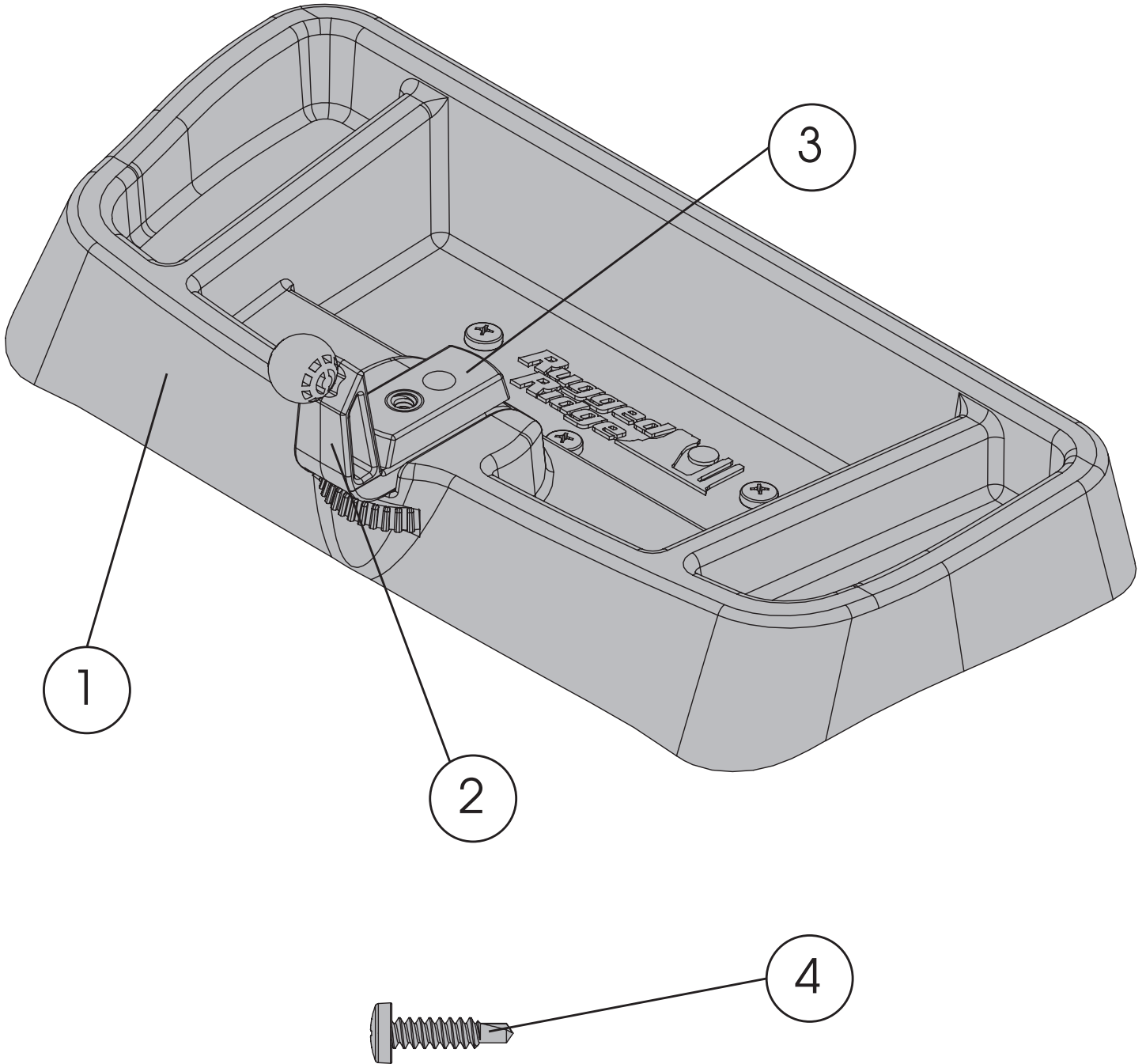


## '97-'06 Wrangler Dash Multi-Mount System

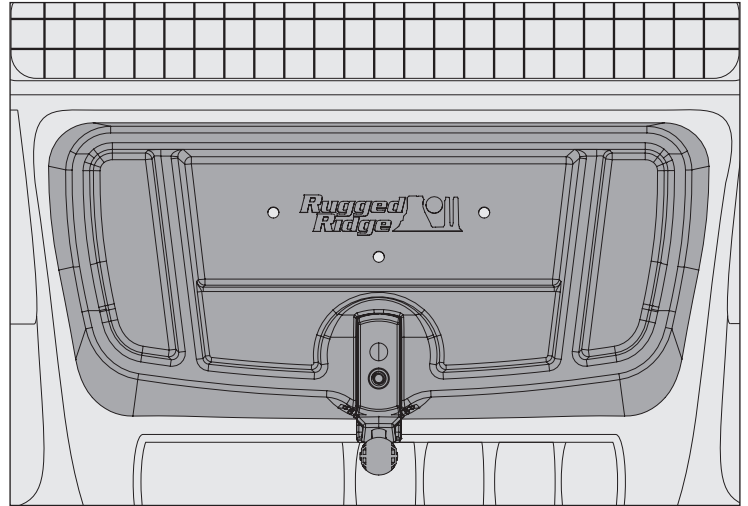


### Components

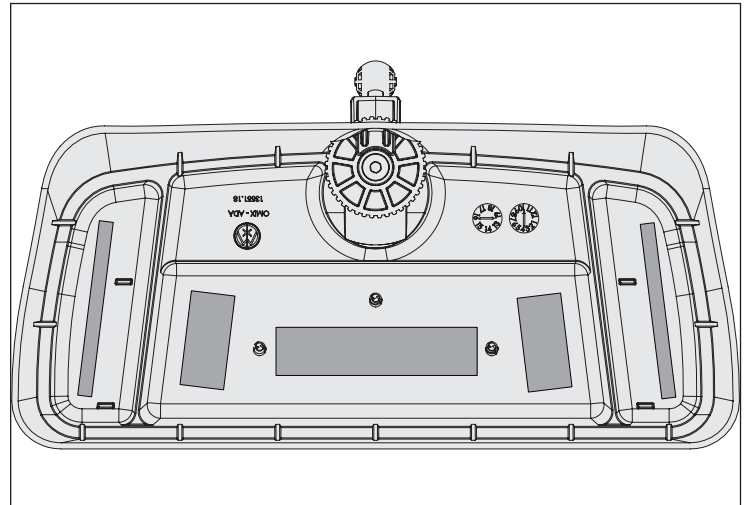
- |                         |     |
|-------------------------|-----|
| 1. Multi-Mount Tray     | (1) |
| 2. Universal Ball Mount | (1) |
| 3. Cap Piece            | (1) |
| 4. Self-Tapping Screw   | (3) |

## '97-'06 Wrangler Dash Multi-Mount System

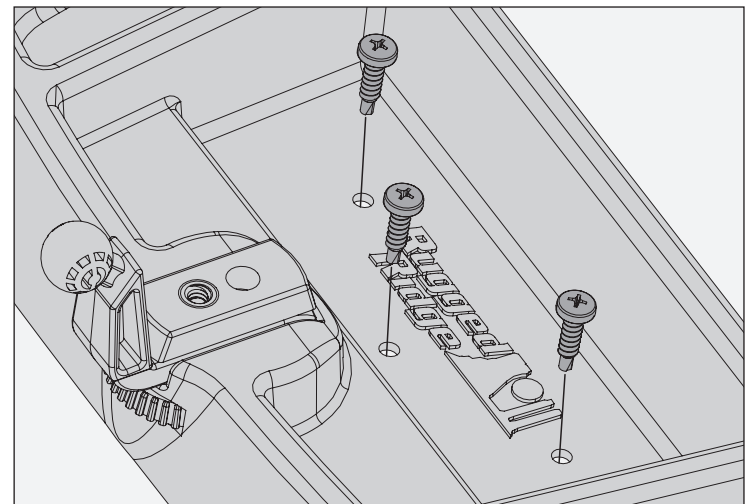
1. Remove all items and clean vehicle dash recess.
2. Test fit Multi-Mount Tray in dash recess. Multi-Mount Tray will sit at rear-most wall of dash recess.



3. Remove backing of adhesive tape and place Multi-Mount tray into dash recess.

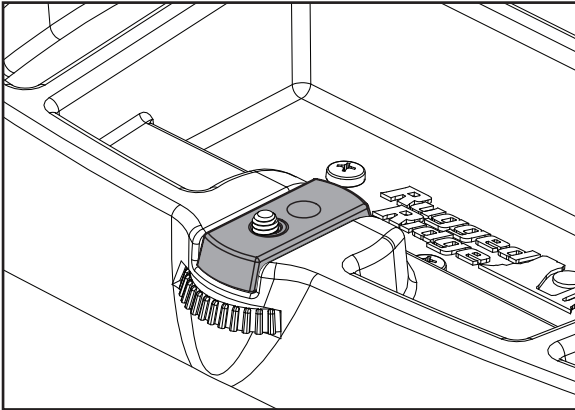


4. Install three Self-Tapping Screws through Multi-Mount Tray into dash recess in vehicle, beginning with front-most Self-Tapping Screw.

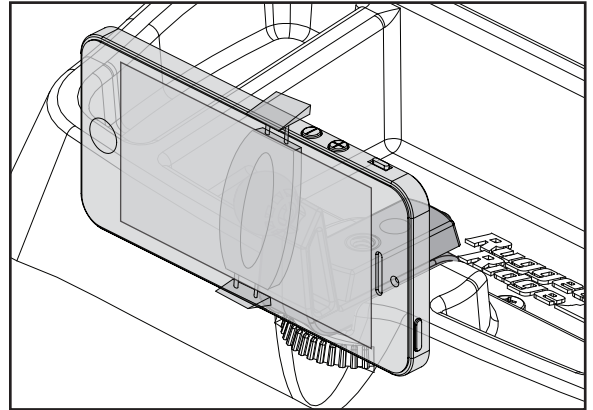


## '97-'06 Wrangler Dash Multi-Mount System

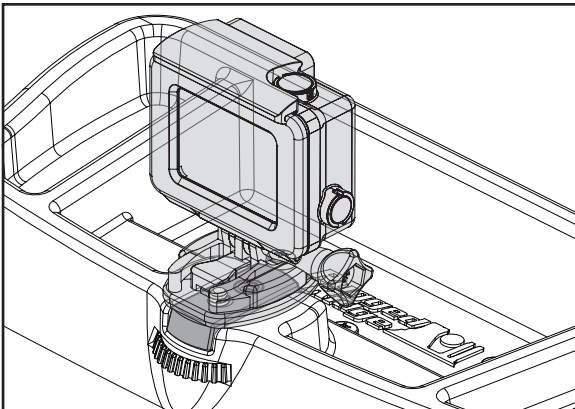
### Four Configurations for Dash Multi-Mount System:



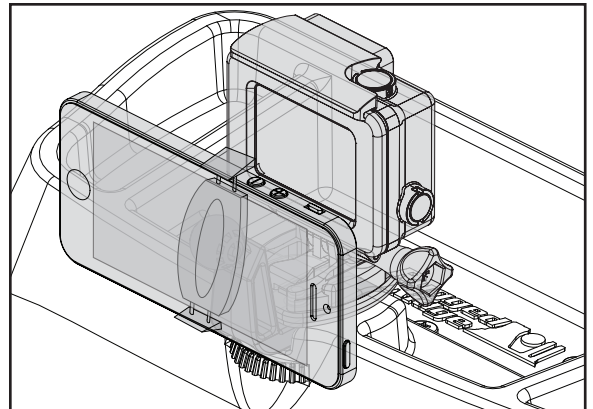
No Accessory



Phone/GPS Mount Only\*



Camera/Tripod Mount Only

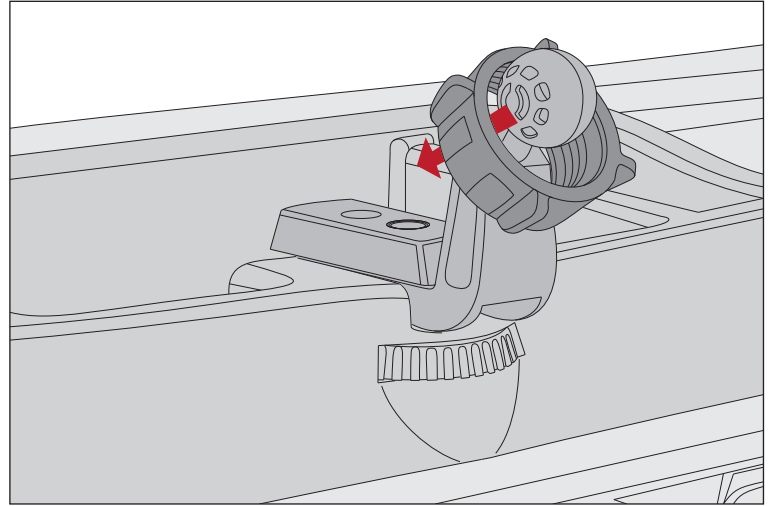


Phone and Camera Mount\*

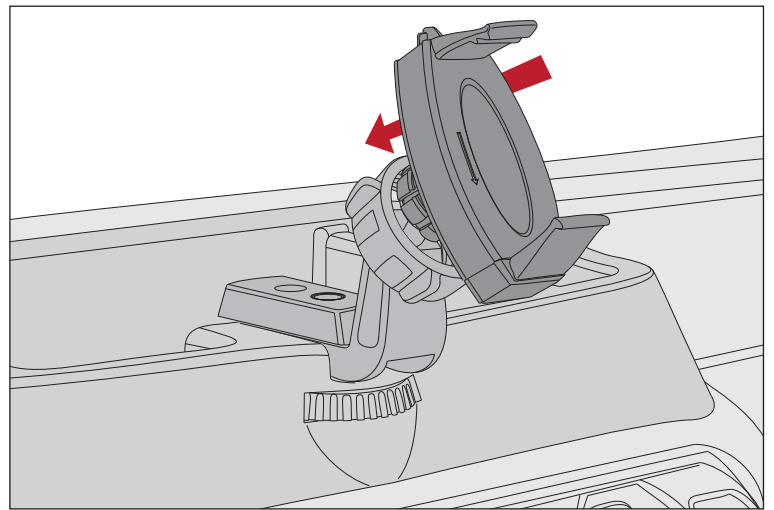
\*Shown with Rugged Ridge Phone Mount (Part #13551.13)

## Phone Mount for Dash Multi-Mount System

1. Place Outer Ring over end of Ball Mount.



2. Press Phone Mount adapter piece into Ball Mount.



3. Pull Outer Ring over Phone Mount adapter and twist to secure.

