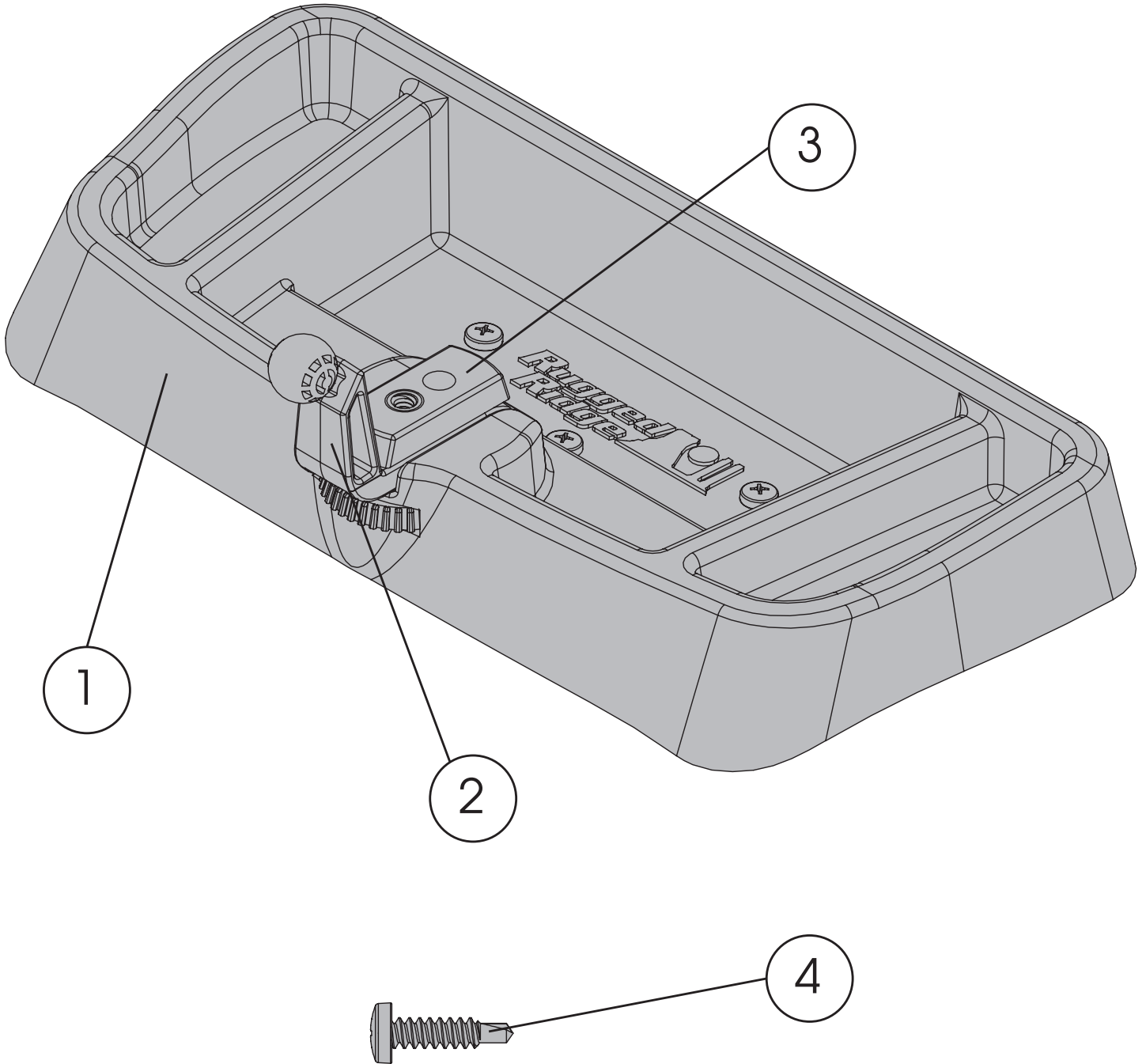




'97-'06 Wrangler Dash Multi-Mount System



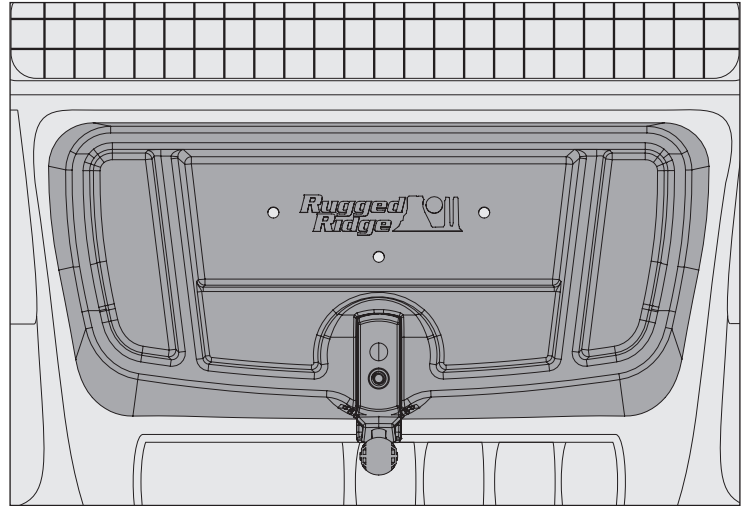
Components

- | | |
|-------------------------|-----|
| 1. Multi-Mount Tray | (1) |
| 2. Universal Ball Mount | (1) |
| 3. Cap Piece | (1) |
| 4. Self-Tapping Screw | (3) |

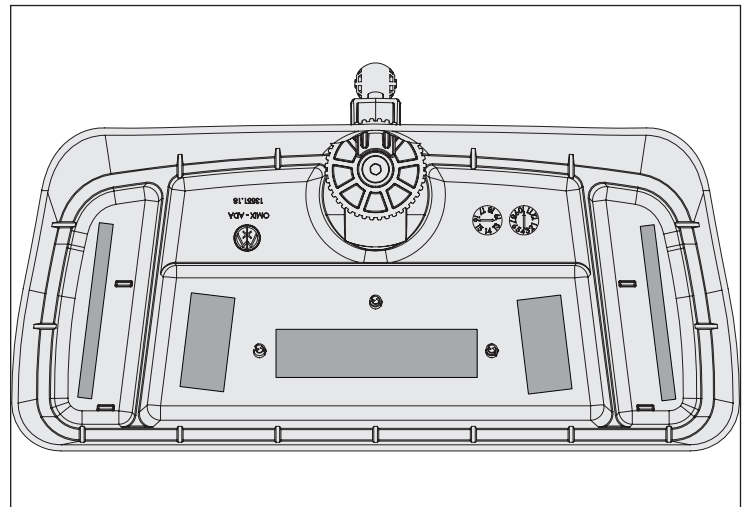


'97-'06 Wrangler Dash Multi-Mount System

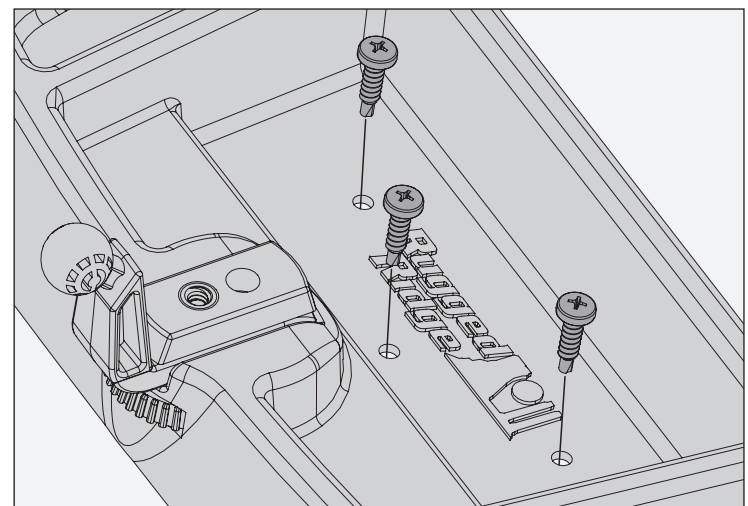
1. Remove all items and clean vehicle dash recess.
2. Test fit Multi-Mount Tray in dash recess. Multi-Mount Tray will sit at rear-most wall of dash recess.



3. Remove backing of adhesive tape and place Multi-Mount tray into dash recess.



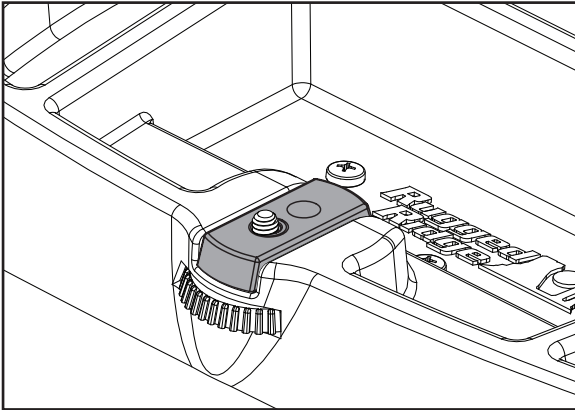
4. Install three Self-Tapping Screws through Multi-Mount Tray into dash recess in vehicle, beginning with front-most Self-Tapping Screw.



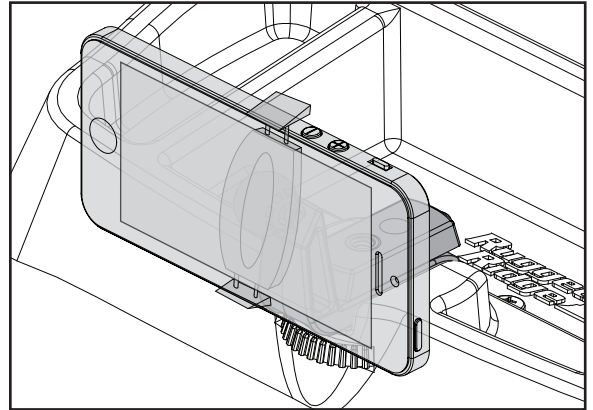


'97-'06 Wrangler Dash Multi-Mount System

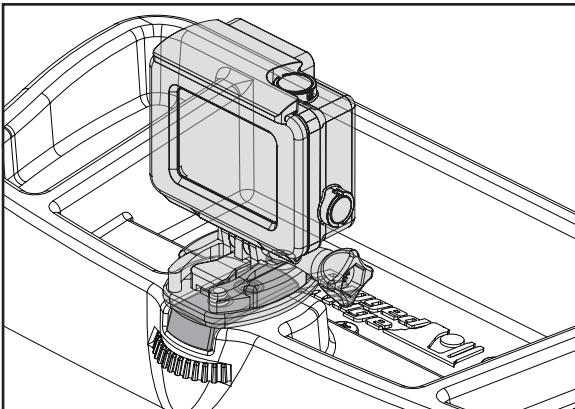
Four Configurations for Dash Multi-Mount System:



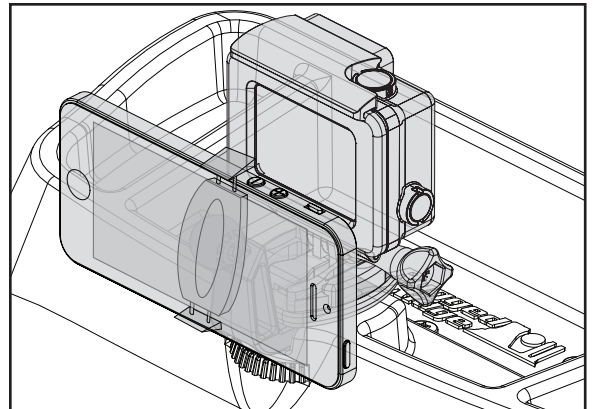
No Accessory



Phone/GPS Mount Only*



Camera/Tripod Mount Only



Phone and Camera Mount*