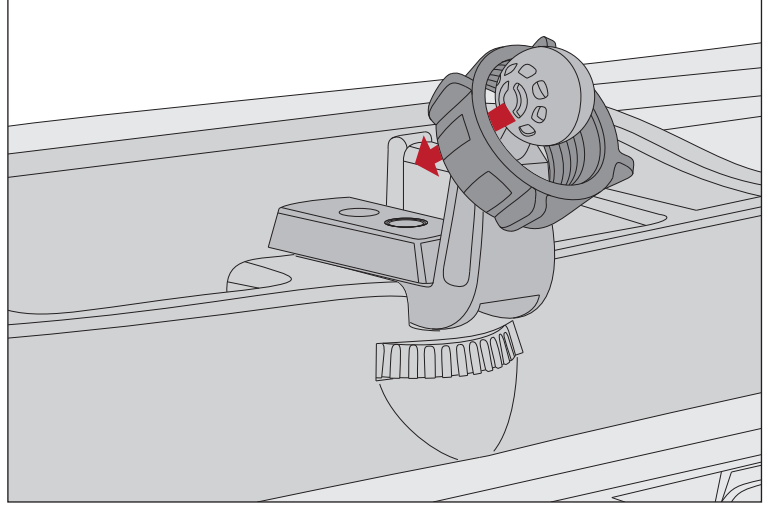


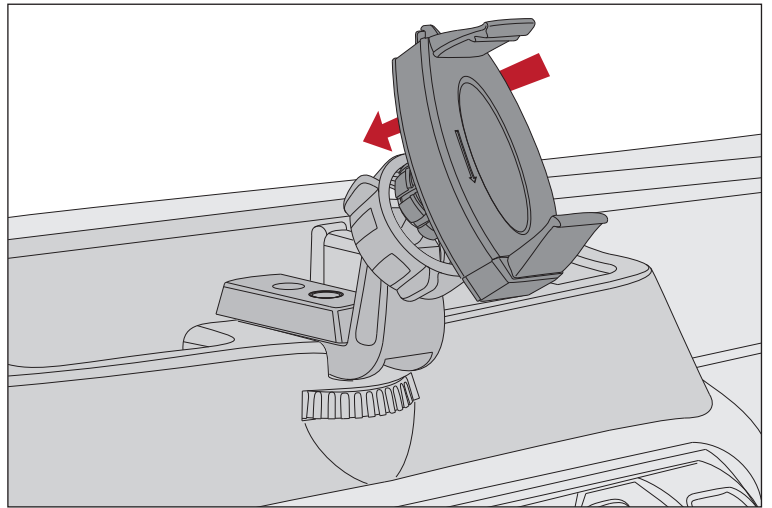


Phone Mount for Dash Multi-Mount System

1. Place Outer Ring over end of Ball Mount.



2. Press Phone Mount adapter piece into Ball Mount.



3. Pull Outer Ring over Phone Mount adapter and twist to secure.

