



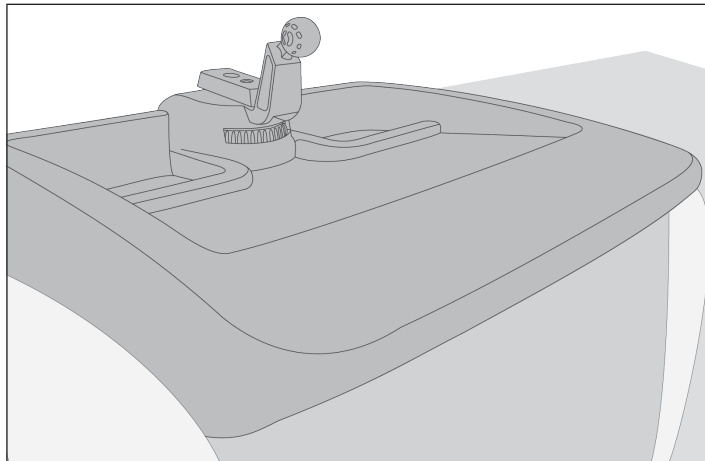
07-10 JK Multi Mount Dash Storage

Components:

- 1. Multi Mount Base (1)
- 2. Universal Ball Mount (1)
- 3. Cap Piece (1)

Required Tools:

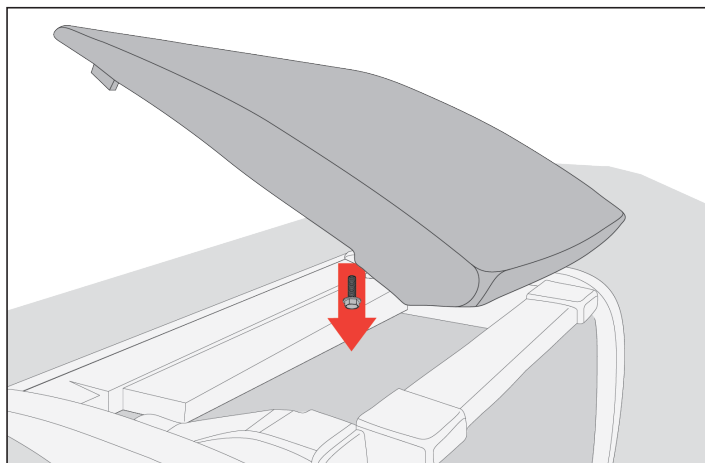
- 1. Phillips head screwdriver



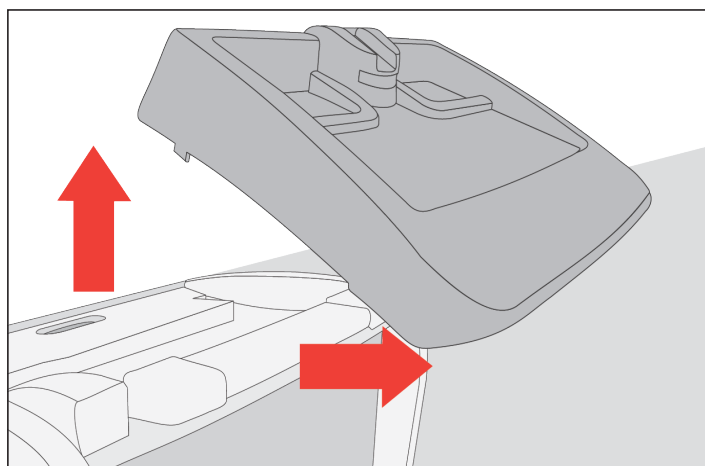
1. Remove factory dash cover above center console.

2. Unscrew remote compass module from factory dash.

3. Use screws to reattach remote compass module to Multi-Mount Dash Storage.



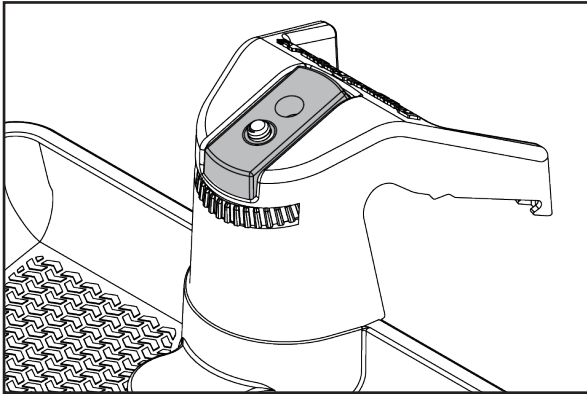
4. Install Multi-Mount Dash Storage by snapping front lip into dash, then pressing back tabs into place.



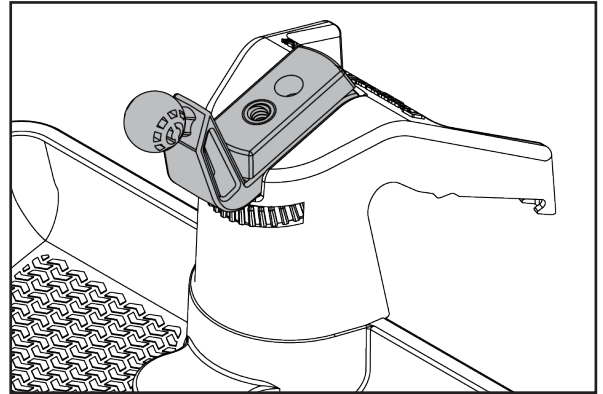


07-10 JK Multi-Mount Dash Storage

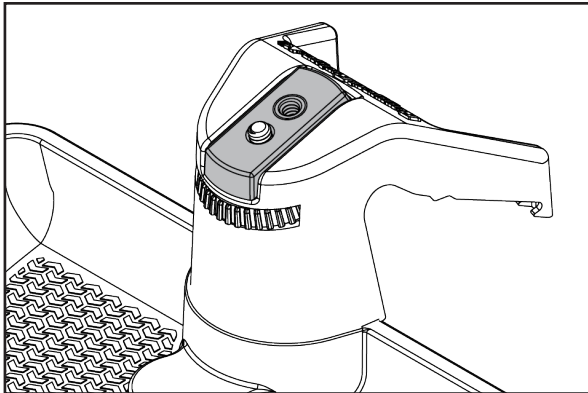
Four Modes for Multi Mount Dash Storage:



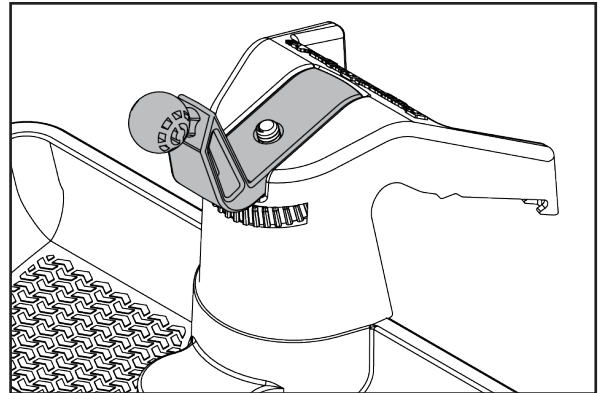
No Accessory



Universal Ball Only



Tripod Screw Only



Unviersal Ball and Tripod Screw