

CB Radio Mount, 2003-2006 TJ/LJ

CONTENTS:

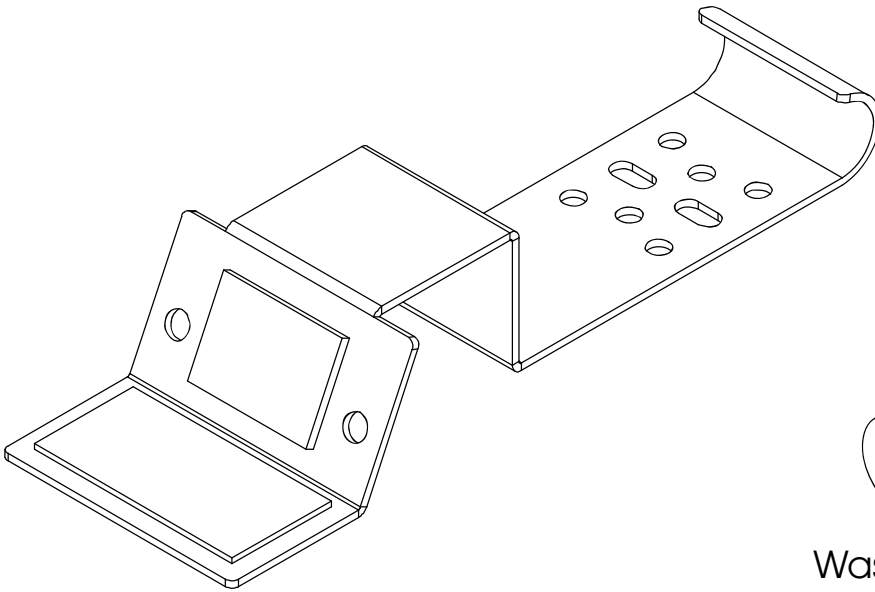
- CB Radio Mount (1)

HARDWARE:

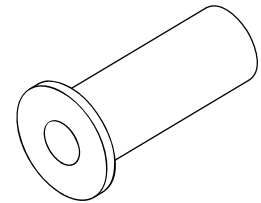
- Well Nut (2)
- Long Screw (2)
- Short Screw (2)
- Washer (2)
- Locknut (2)

TOOLS REQUIRED:

- Drill
- 23/64" Drill Bit
- Phillips Head Screwdriver
- Utility Knife



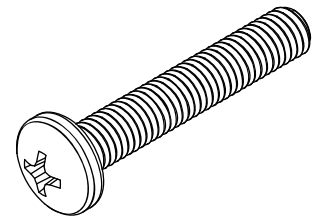
CB Radio Mount x 1



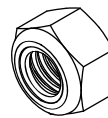
Well Nut x 2



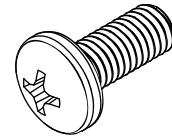
Washer x 2



Long Screw x 2



Locknut x 2



Short Screw x 2

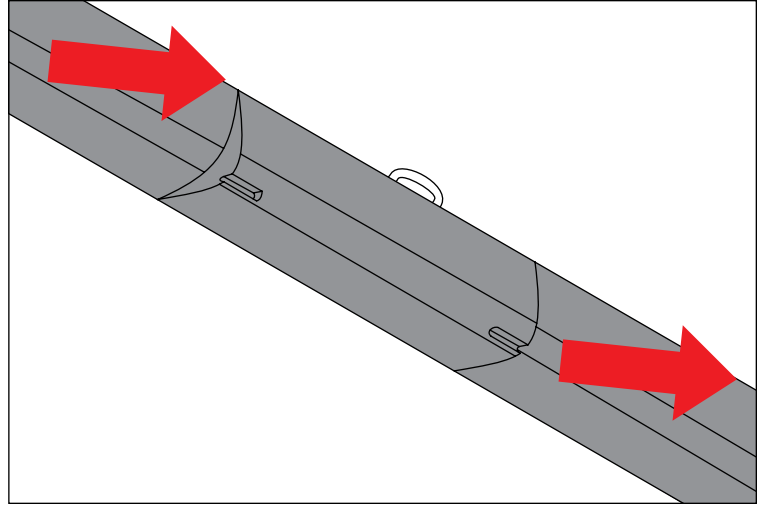
NOTICE

Careful attention is required to this instruction or operation, but does not generally relate to personal injury. Damage to your product or other property may result if you do not follow instructions.



CB Radio Mount, 2003-2006 TJ/LJ

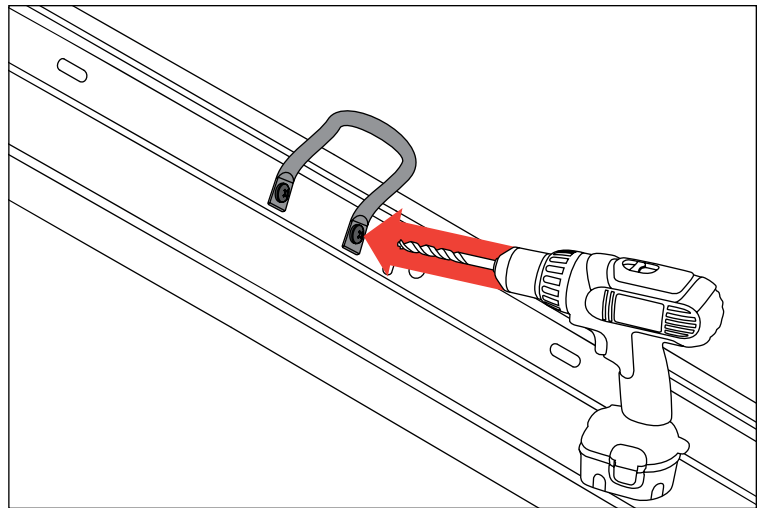
1. Retract soft top, position sun visors against side windows, and pry off plastic windshield trim by gently pulling along it until all clips release.



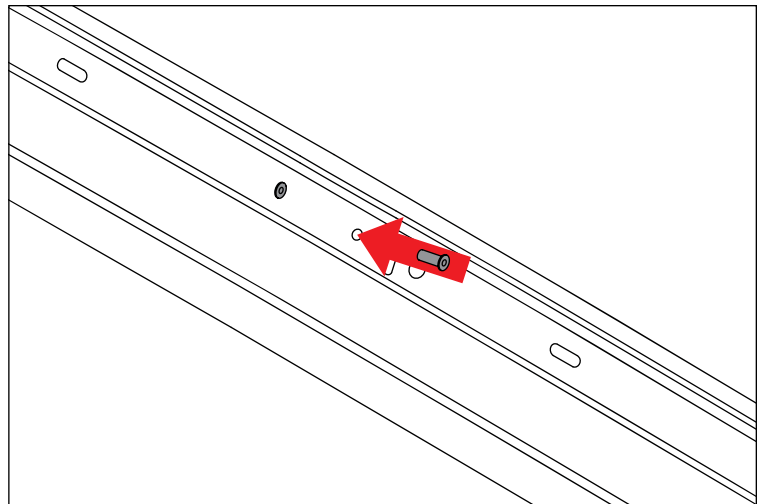
2. Drill out head of rivets holding footman loop in place using 23/64" drill bit and remove footman loop.

NOTICE

Use caution when drilling out rivets to not drill through windshield frame.



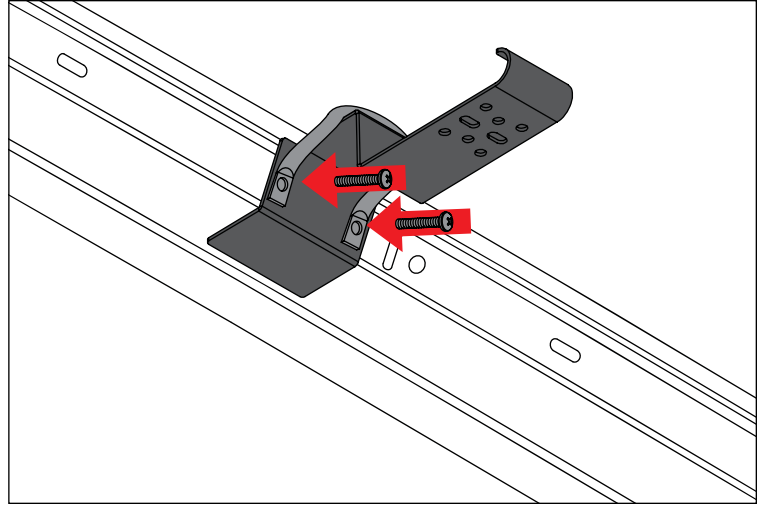
3. Clean area and insert well nuts in newly drilled holes. Collapse well nuts by screwing in long screws provided. Remove screws before proceeding.





CB Radio Mount, 2003-2006 TJ/LJ

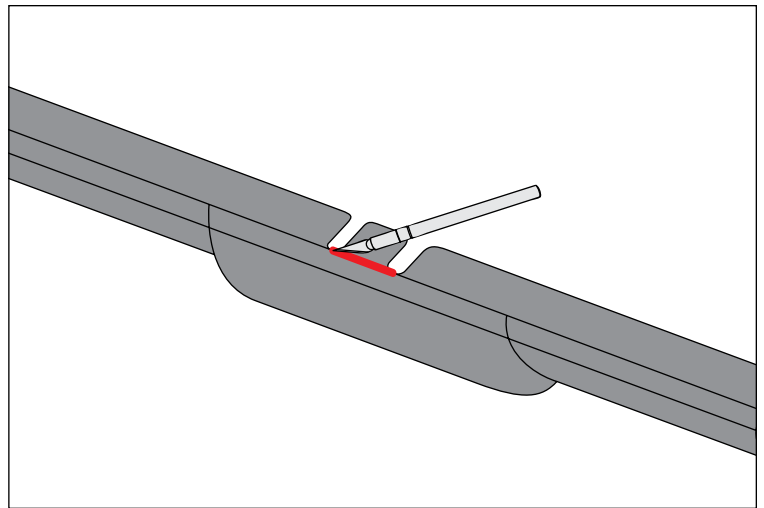
4. Align mounting holes and install CB Radio Mount on windshield frame. Place footman loop over CB Radio Mount and fasten to frame with long screws provided.



5. Cut off center tab on plastic windshield trim with a utility knife and reinstall on windshield frame.

NOTICE

Use caution when cutting tab to ensure no damage is done to trim.



6. Install CB Radio using short screws, washers, and locknuts supplied.

NOTE: Be sure not to obstruct rear view mirror.

